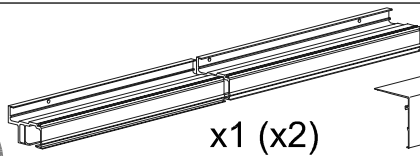




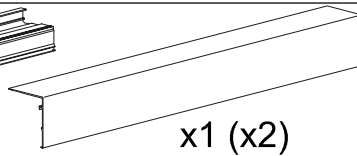
Herkules P120 |

PORTA - 60 213 - 481
PORTA - 70 213 - 482
PORTA - 80 213 - 483
PORTA - 90 213 - 484
PORTA - 100 213 - 485

(PORTA - 2x60 - 213-487
PORTA - 2x70 - 213-488
PORTA - 2x80 - 213-489
PORTA - 2x90 - 213-490
PORTA - 2x100 - 213-491)



x1 (x2)



x1 (x2)



x1



x1



x2 (x4)



x2 (x4)



x2 (x4)



x1 (x2)



St3.5x25



Ø5x25



Ø8x32



4x30

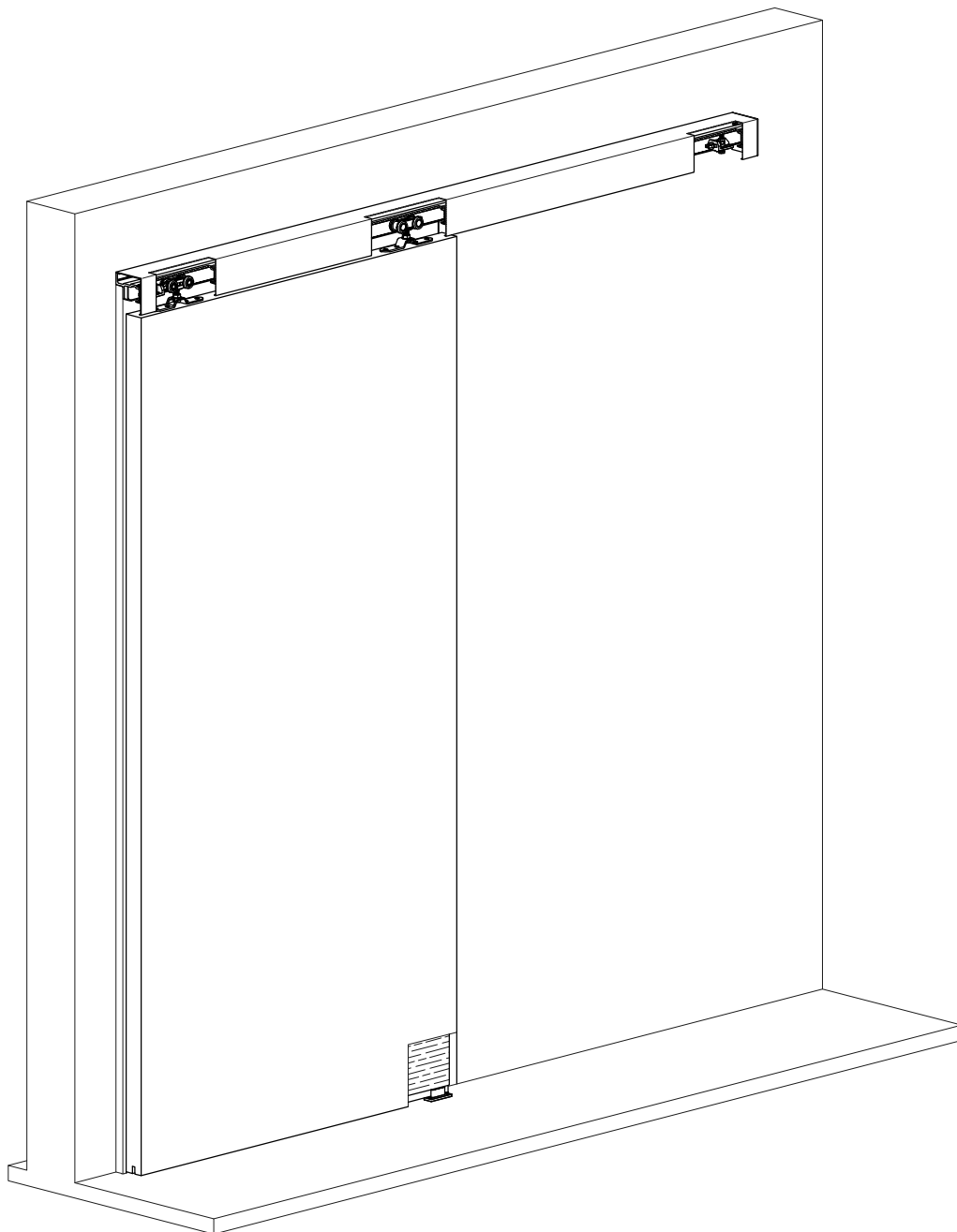


St4x50

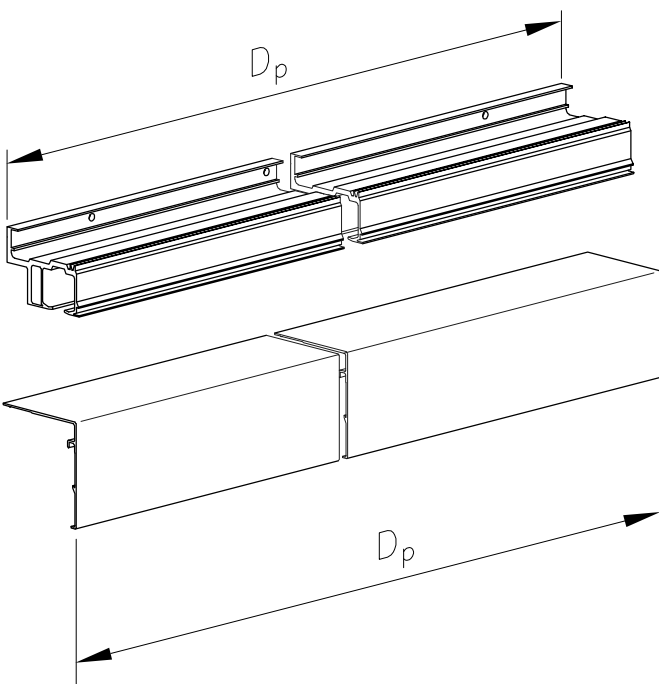
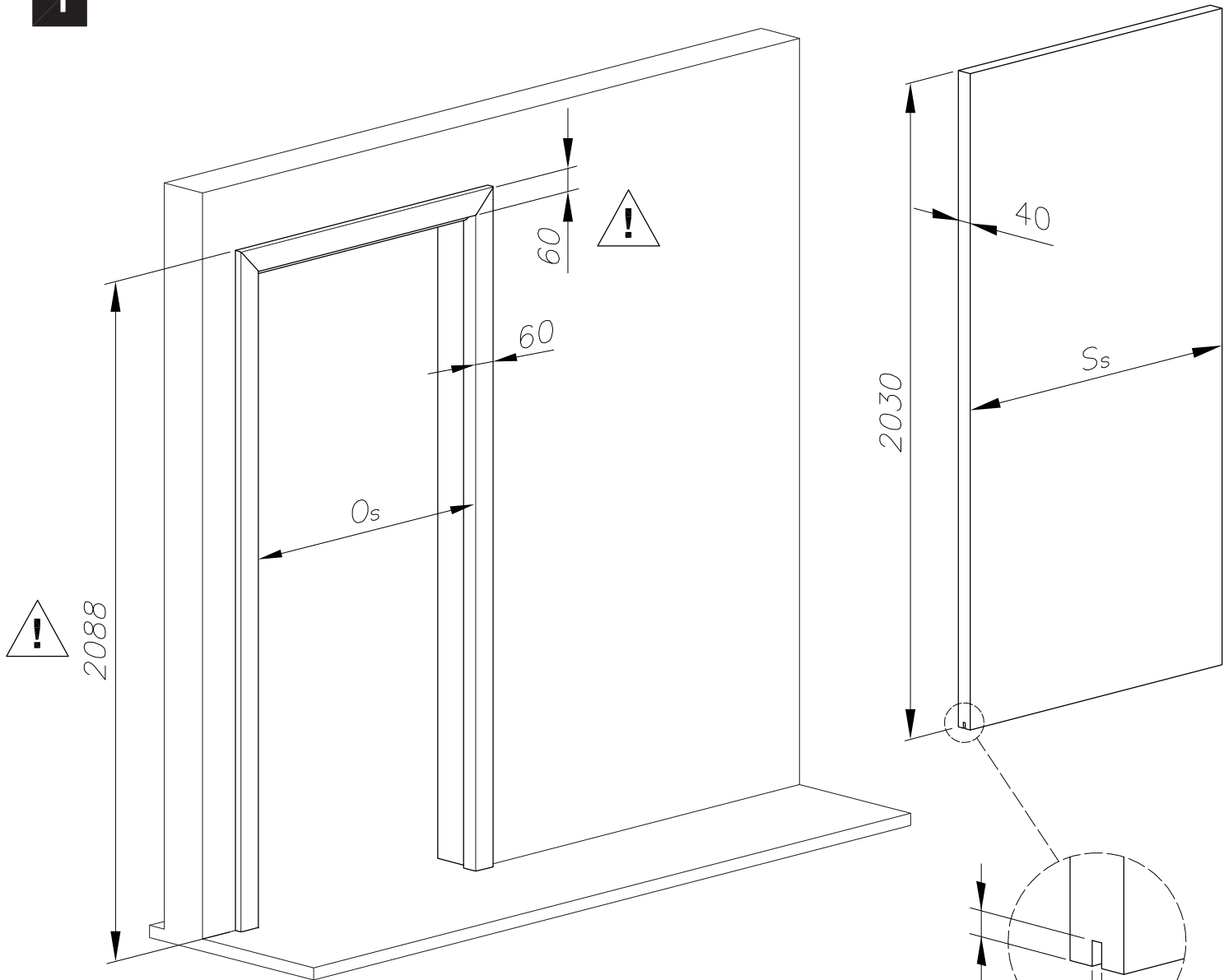


45
KG

(x2)



1

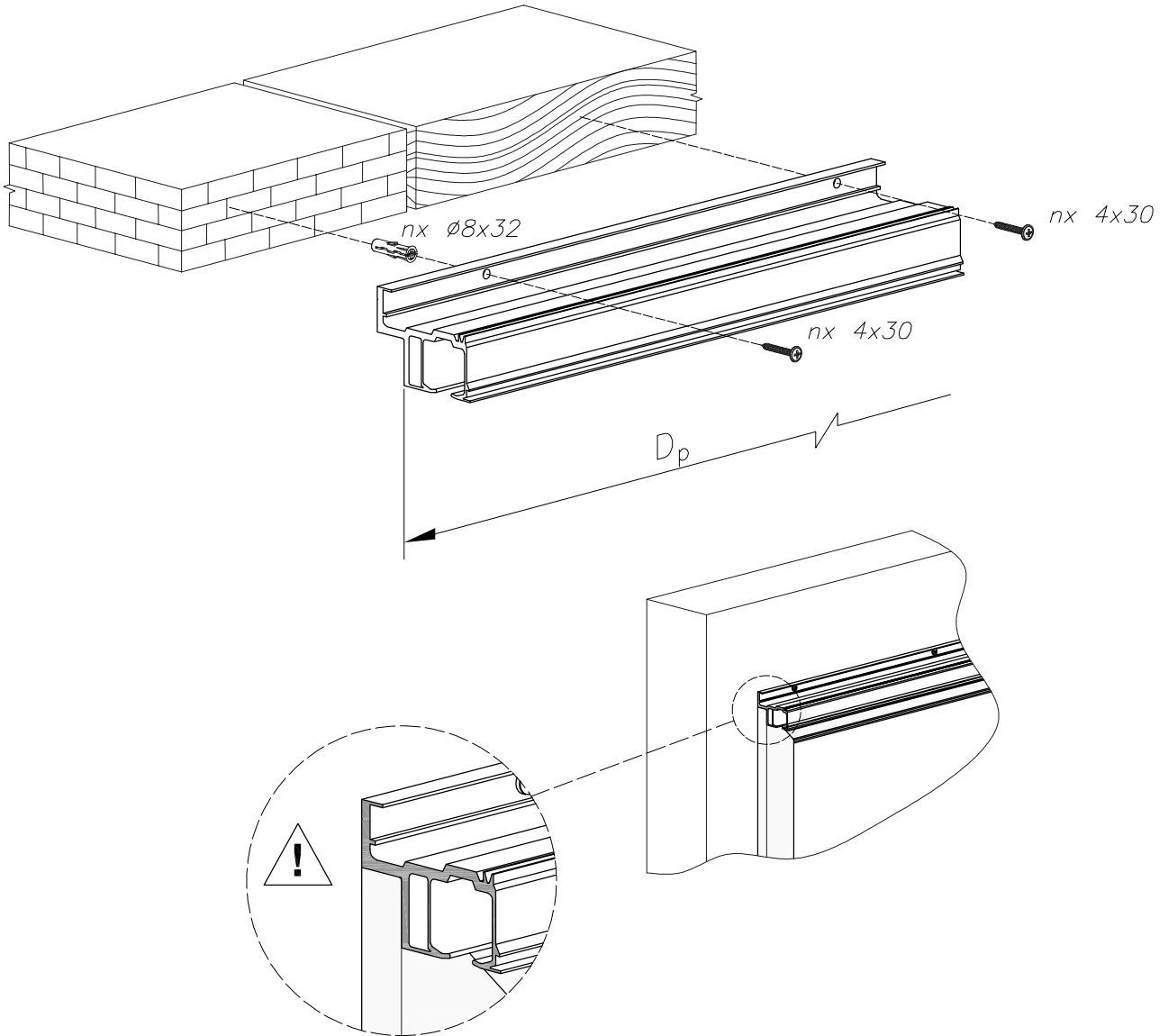


Typ	60	70	80	90	100
S_s [mm]	644	744	844	944	1044
O_s [mm]	502	602	702	802	902
D_p [mm]	1248	1448	1648	1848	2048

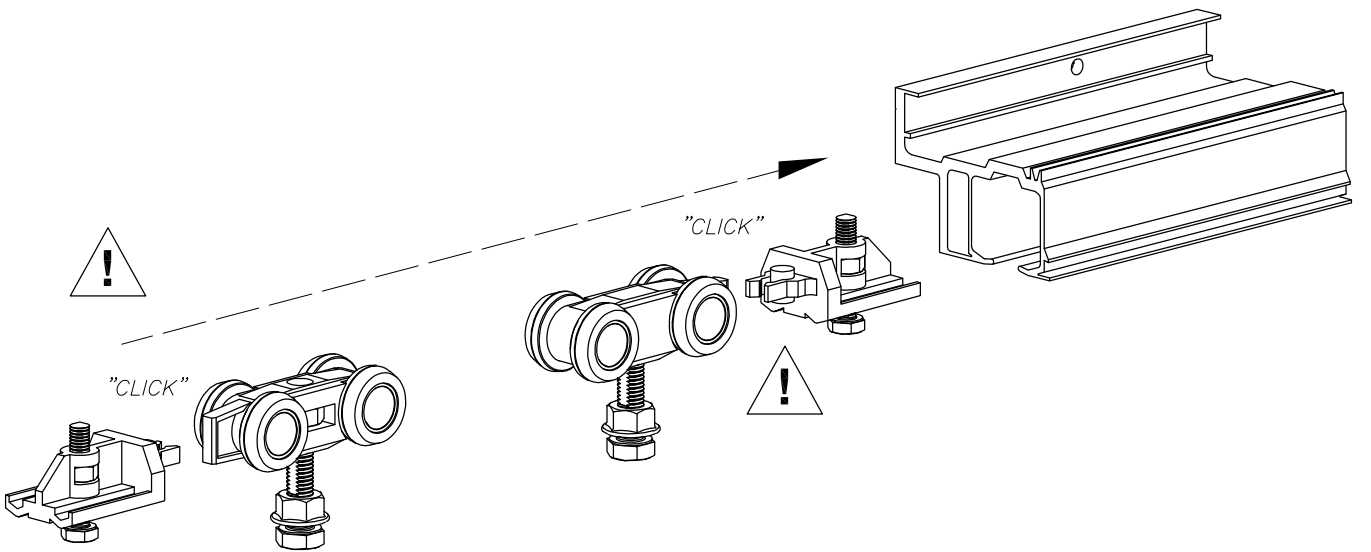


2

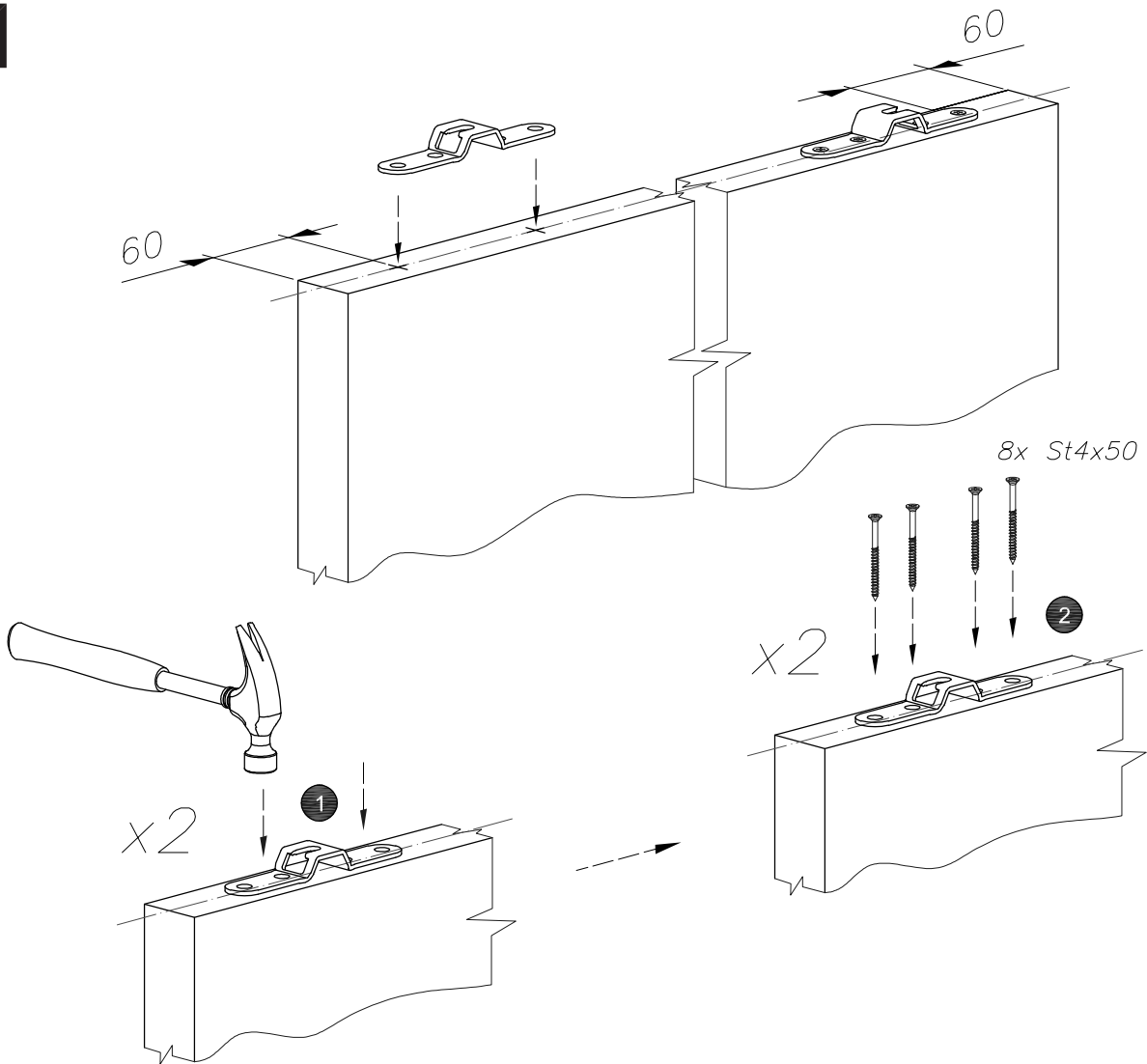
Typ	60	70	80	90	100
D_p [mm]	1248	1448	1648	1848	2048
n [szt]	5	5	6	7	7



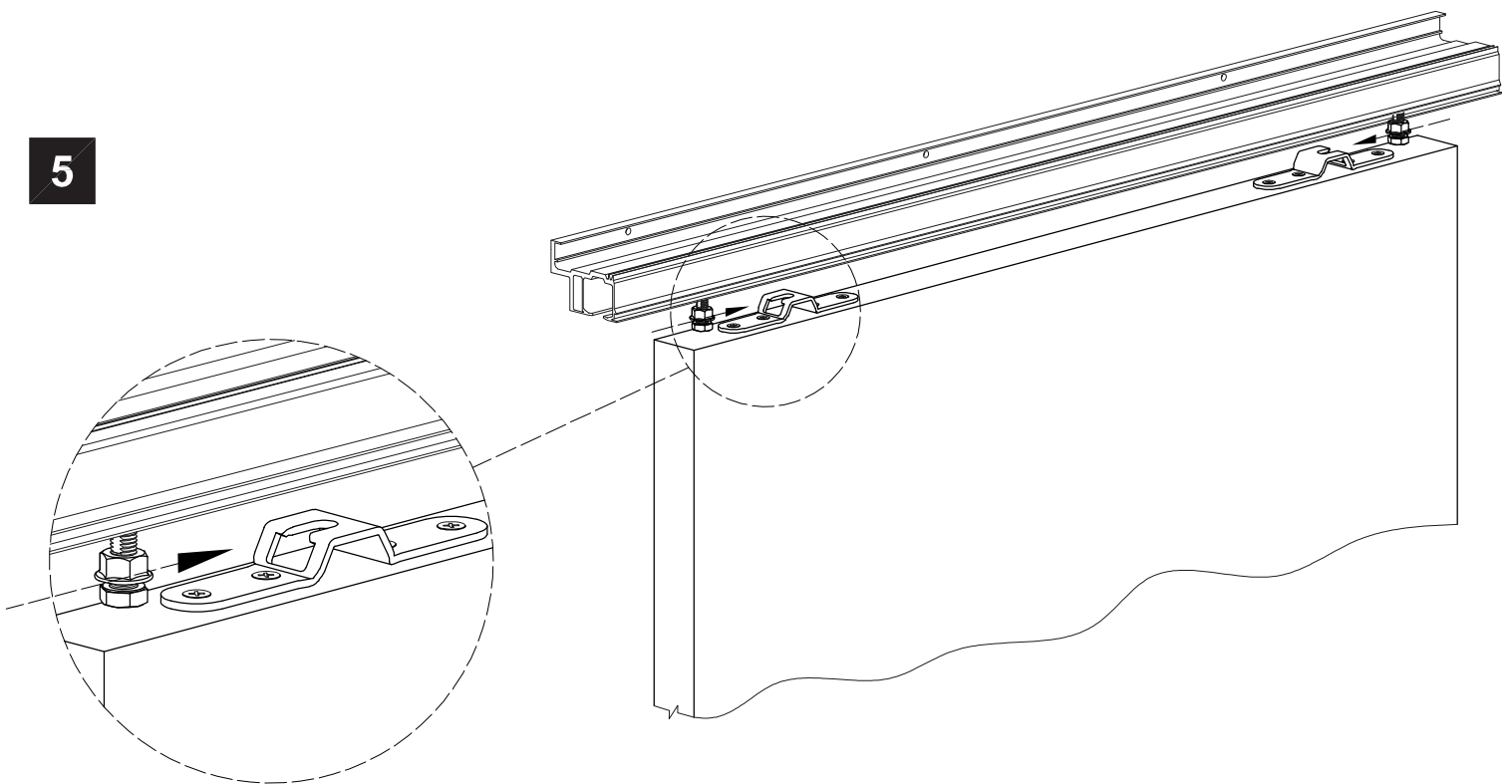
3



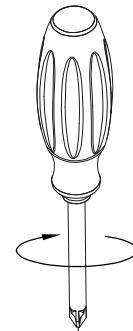
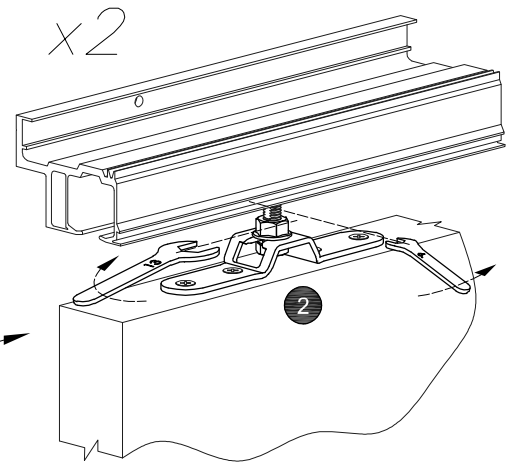
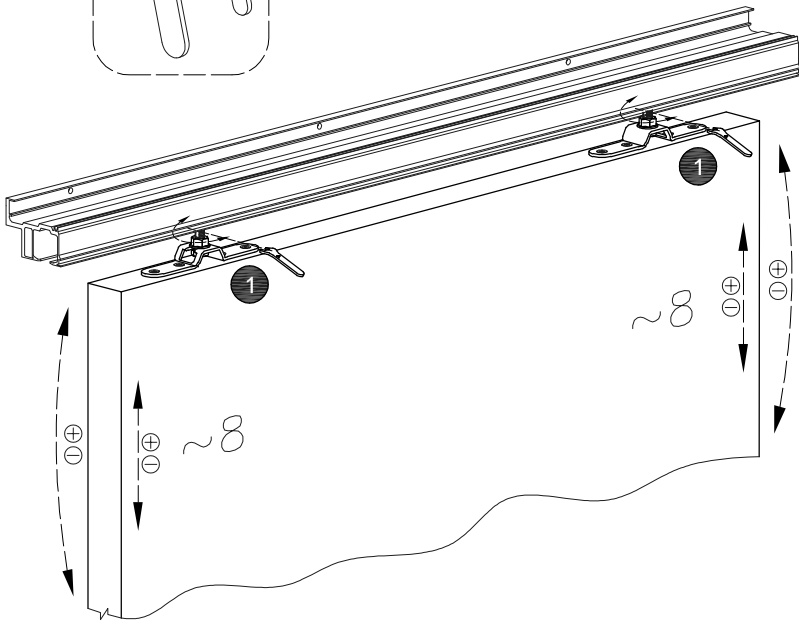
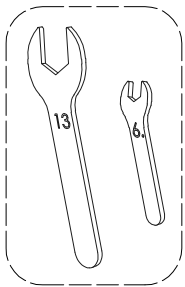
4



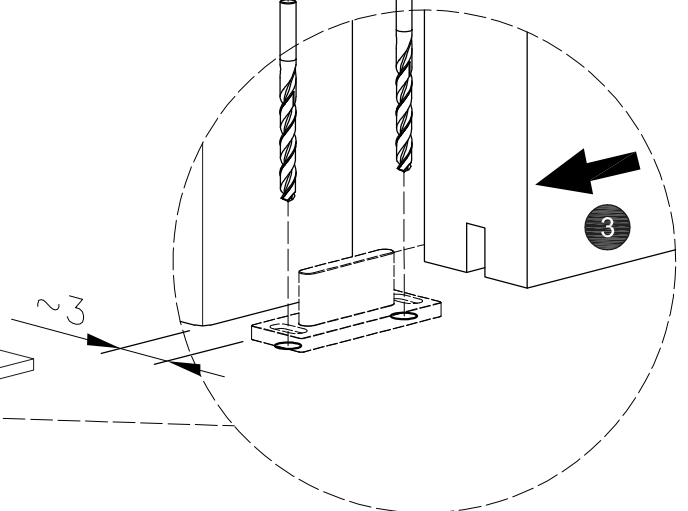
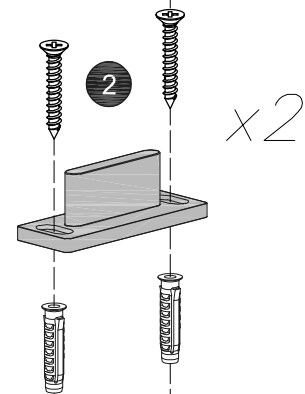
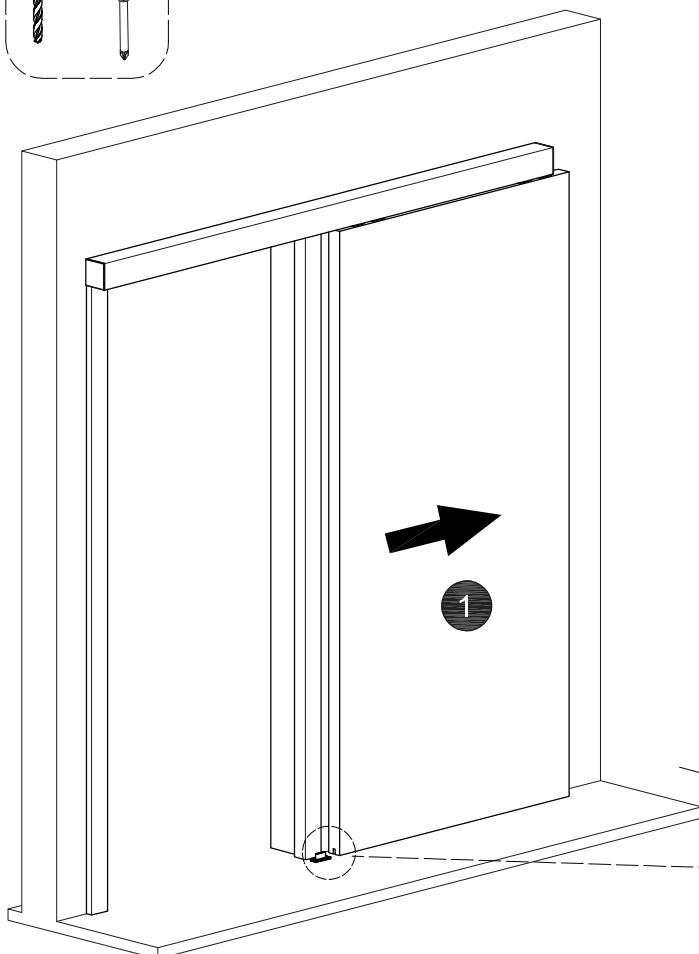
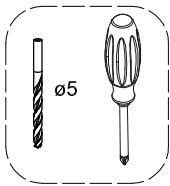
5



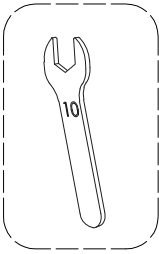
6



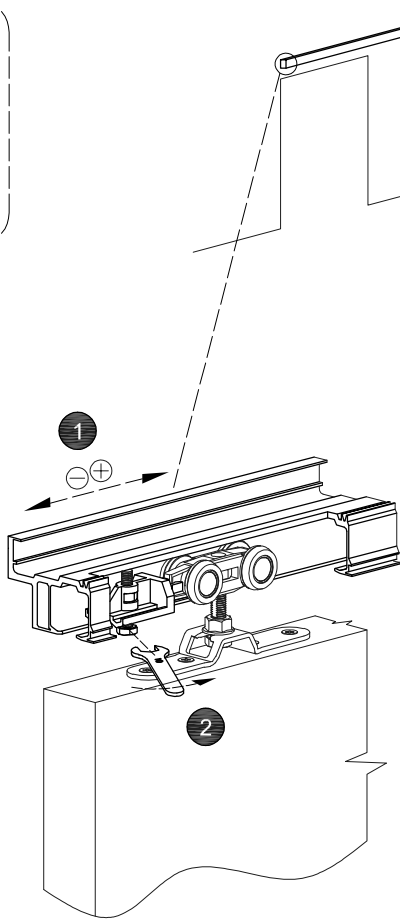
7



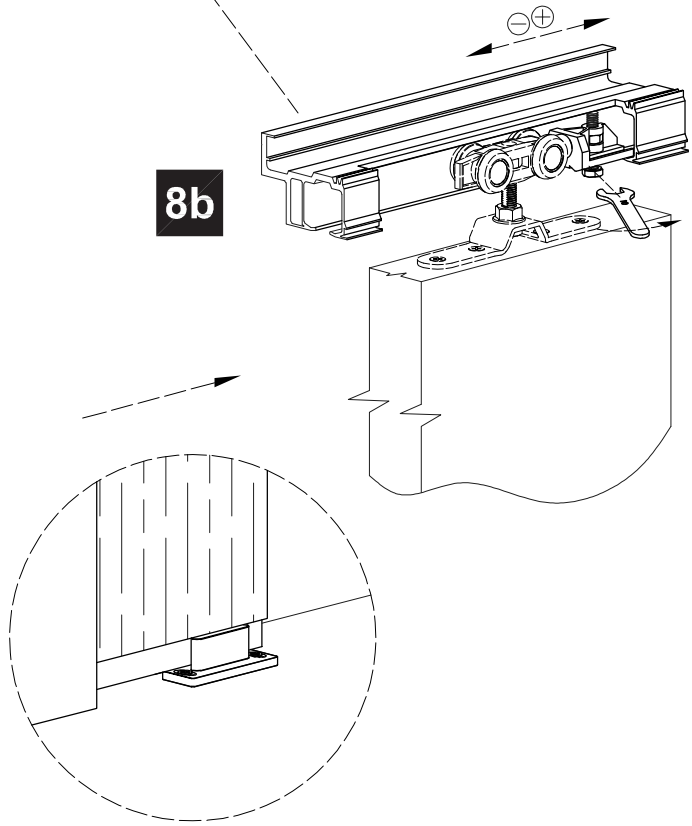
8



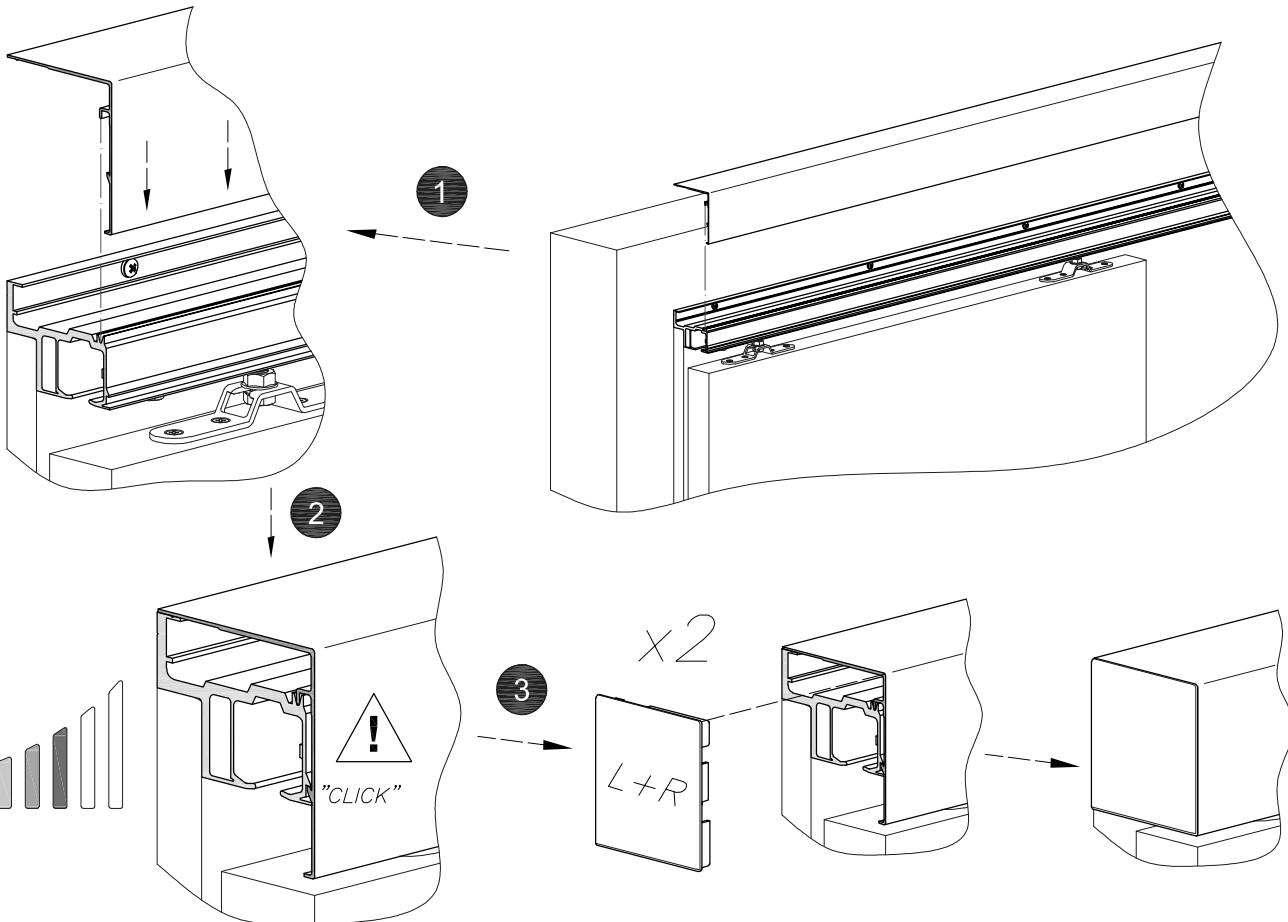
8a



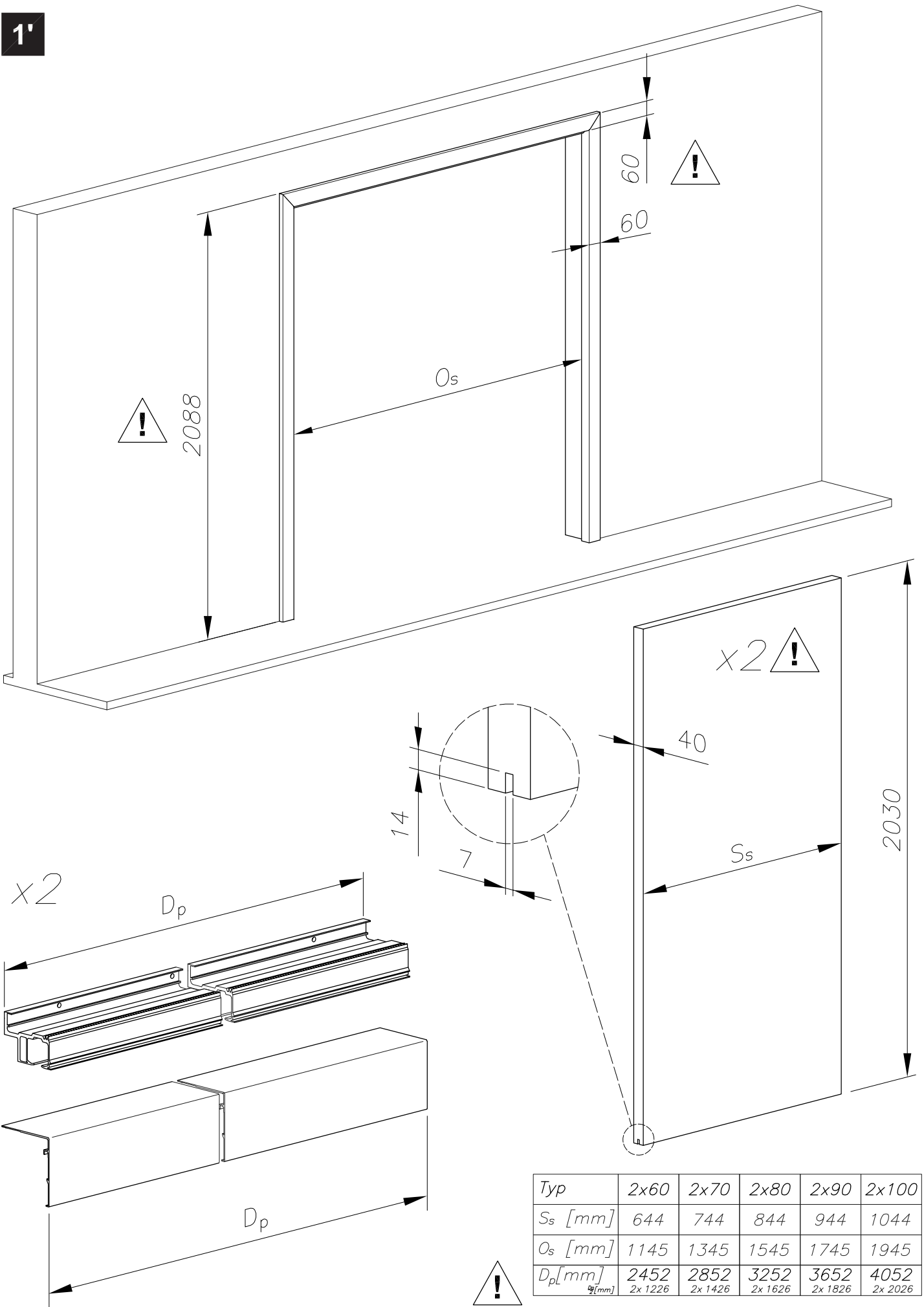
8b



9



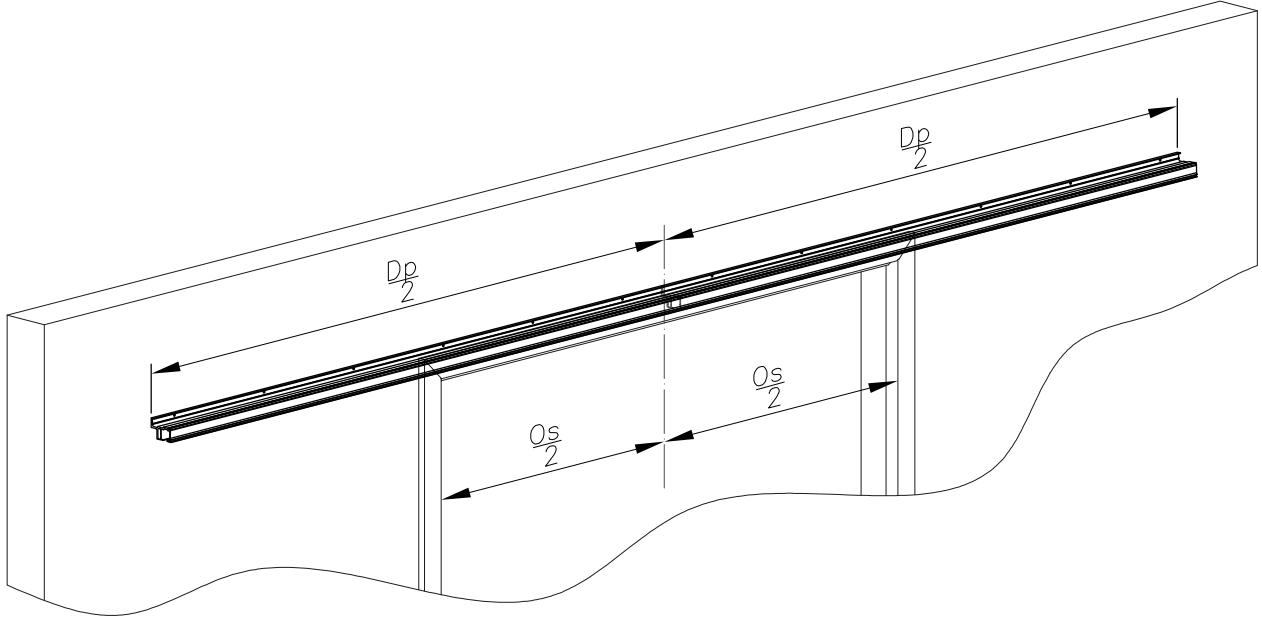
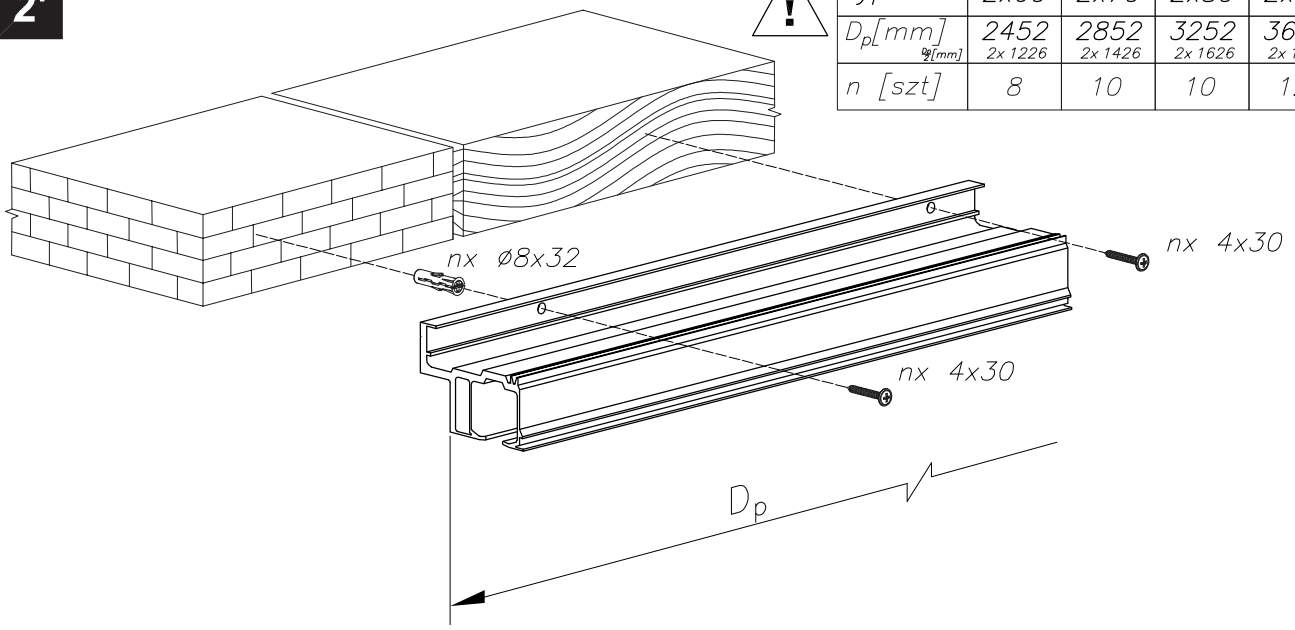
1'



2'



Typ	2x60	2x70	2x80	2x90	2x100
D_p [mm]	2452	2852	3252	3652	4052
\varnothing [mm]	2x 1226	2x 1426	2x 1626	2x 1826	2x 2026
n [szt]	8	10	10	12	14



3' → 3 x2

4' → 4 x2

5' → 5 x2

6' → 6 x2

7' → 7 x2

8' → 8 x2

9' → 9

