

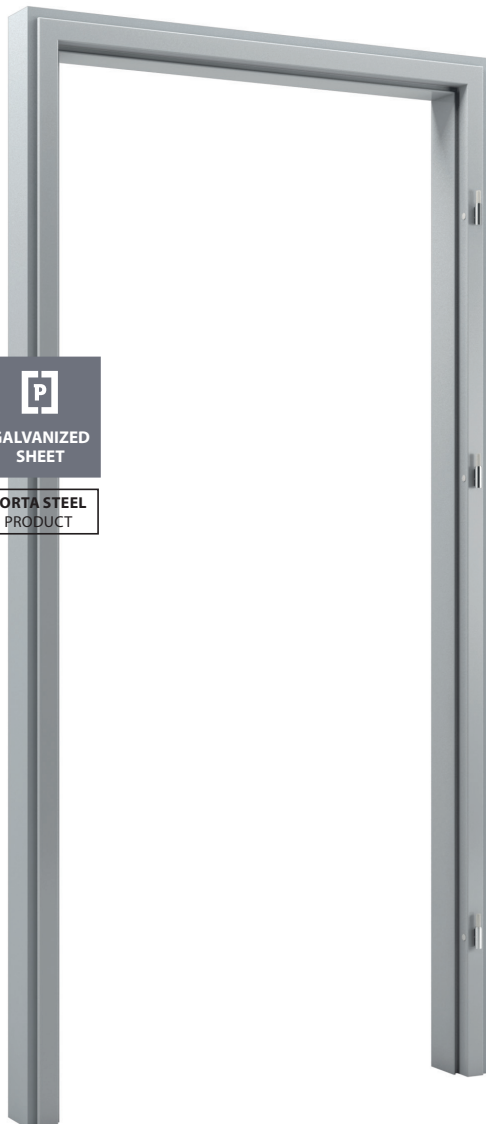
# Steel Embracing Door Frame

## STEEL EMBRACING, TWO-ELEMENT DOOR FRAME

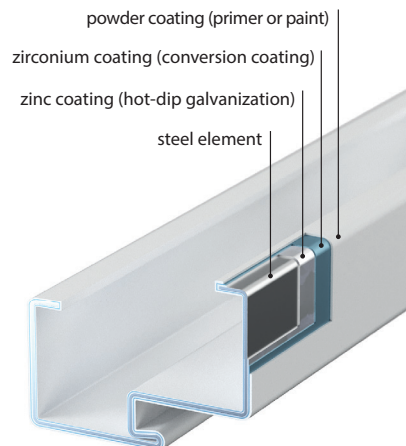
Our new embracing door frame is an addition to our interior door frame catalogue. Steel Embracing Door Frame is made from highest quality galvanized steel sheet, 1,5 mm thick. Our anti-corrosion system dedicated for steel products (coverage of the metal surface with galvanic and lacquer system) allows usage of the product in rooms with higher level of humidity and temperature changes.

### COLOURS

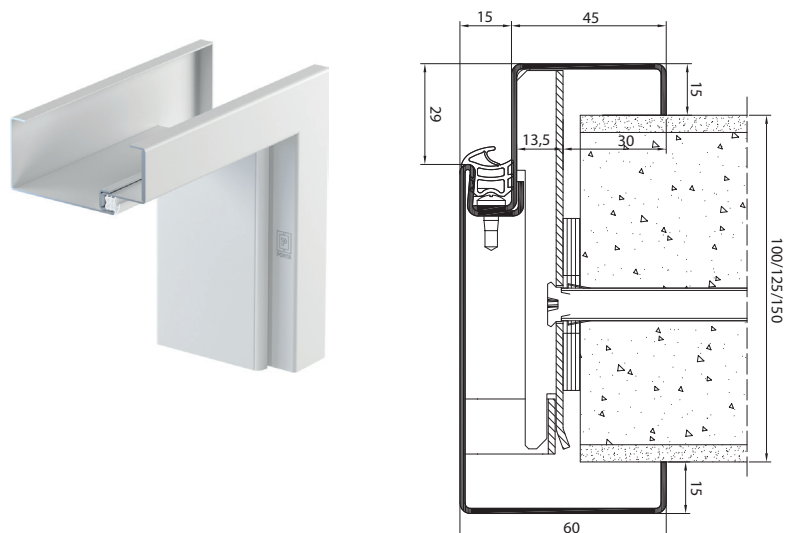
Premium Polyester Paint ★★★★★☆			Primer paint for individual painting ★★★★★☆
GROUP I	White MAT	Grey MAT	Grey
	Beige MAT	Brown MAT	
GROUP III	Black MAT	Anthracite structured	
		Anthracite HPL/CPL	



### ANTI-CORROSION SYSTEM FOR STEEL PRODUCTS



### CROSS-SECTION OF THE NOD EMBRACING DOOR-FRAME



## SIZES

PN

TYPE OF DOOR FRAME	Size	S <sub>s</sub>	H <sub>s</sub>	D <sub>s</sub>	S <sub>o</sub>	H <sub>o</sub>	O <sub>s</sub>	O <sub>w</sub>	S <sub>b</sub>	H <sub>b</sub>	S <sub>z</sub>	H <sub>z</sub>	T <sub>s/w</sub>
with Steel Embracing door frame	60	644	2030	40	670	2050	596	2016	656	2046	716	2076	10/5
	70	744			770		696		756		816		
	80	844			870		796		856		916		
	90	944			970		896		956		1016		
	100	1044			1070		996		1056		1116		
	110	1144			1170		1096		1156		1216		

CN

TYPE OF DOOR FRAME	Size	S <sub>s</sub>	H <sub>s</sub>	D <sub>s</sub>	S <sub>o</sub>	H <sub>o</sub>	O <sub>s</sub>	O <sub>w</sub>	S <sub>b</sub>	H <sub>b</sub>	S <sub>z</sub>	H <sub>z</sub>	T <sub>s/w</sub>
with Steel Embracing door frame	60	648	1985	40	670	2005	600	1970	660	2000	720	2030	10/5
	70	748			770		700		760		820		
	80	848			870		800		860		920		
	90	948			970		900		960		1020		
	100	1048			1070		1000		1060		1120		
	110	1148			1170		1100		1160		1220		

CN210

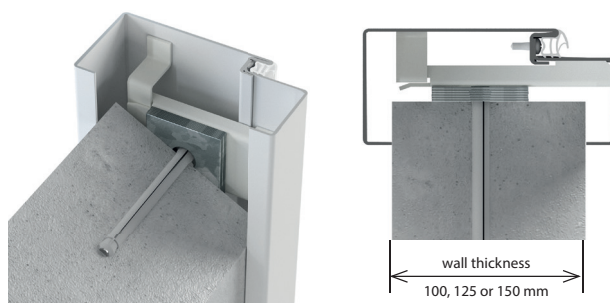
TYPE OF DOOR FRAME	Size	S <sub>s</sub>	H <sub>s</sub>	D <sub>s</sub>	S <sub>o</sub>	H <sub>o</sub>	O <sub>s</sub>	O <sub>w</sub>	S <sub>b</sub>	H <sub>b</sub>	S <sub>z</sub>	H <sub>z</sub>	T <sub>s/w</sub>
with Steel Embracing door frame	60	648	2115	40	670	2140	600	2100	660	2130	720	2160	10/5
	70	748			770		700		760		820		
	80	848			870		800		860		920		
	90	948			970		900		960		1020		
	100	1048			1070		1000		1060		1120		
	110	1148			1170		1100		1160		1220		

DIN

TYPE OF DOOR FRAME	Size	S <sub>s</sub>	H <sub>s</sub>	D <sub>s</sub>	S <sub>o</sub>	H <sub>o</sub>	O <sub>s</sub>	O <sub>w</sub>	S <sub>b</sub>	H <sub>b</sub>	S <sub>z</sub>	H <sub>z</sub>	T <sub>s/w</sub>
with Steel Embracing door frame	60	610	1985	40	635	2005	561	1968	621	1998	681	2028	10/5
	70	735			760		686		746		806		
	80	860			885		811		871		931		
	90	985			1010		936		996		1056		
	100	1110			1135		1061		1121		1181		

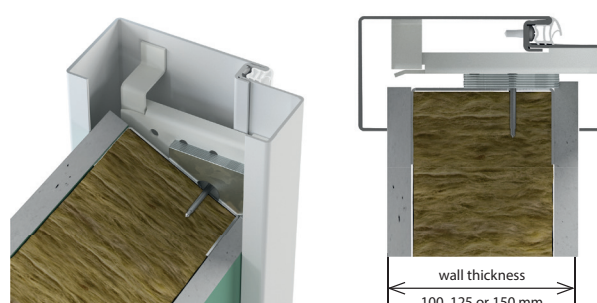
### BRICK WALL ASSEMBLY

(with use of assembly kit dedicated for brick walls)



### PLASTER BOARD WALL ASSEMBLY

(with use of assembly kit dedicated for drywall system)



## TECHNICAL INFORMATION

### DOOR FRAME CONSTRUCTION

- Nod door frame is made of highest quality galvanized steel sheets, 1,5 mm thick. Product is dedicated for the walls 100, 125 and 150 mm thick. Nod door frame can be mounted in dry wall systems or in brick walls.
- In case of an assembly in a dry wall system we are proposing purchase of a dry wall assembly kit, that consists of assembly washers and steel dowels. In case of installation in brick wall, kit equipped with assembly washers and metal sheet screws is available.

### ACCESSORIES IN DOOR FRAME PRICE

- Two or three pintle hinges as standard
- Three hinges in a door frame „100“ and „110“
- Allen key
- Rubber sealing strip on the circumference of the door frame in beige, grey, brown or anthracite
- Czech Norm option equipped with three hinges

### DOOR FRAME SIZE

- „60“, „70“, „80“, „90“, „100“, „110“ and „120“ ± „200“
- to be assembled on a finished surface „0“

### NOTES

- Installation of a door frame should be carried out in rooms with completed walls (e.g. wallpapers) and floors (parquet flooring).

### EXTRA CHARGES

- metal door frame: black colour
- reinforcement for door closer
- stainless steel threshold standard width (90 mm)
- stainless steel threshold wide (120 mm)
- assembly kit dedicated for brick walls
- assembly kit dedicated for drywall (plaster board) system
- adjustable lock strike