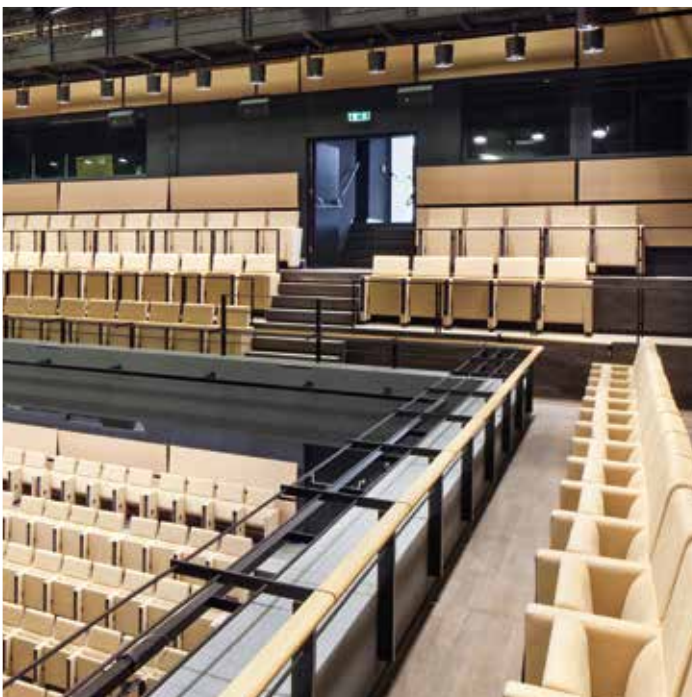
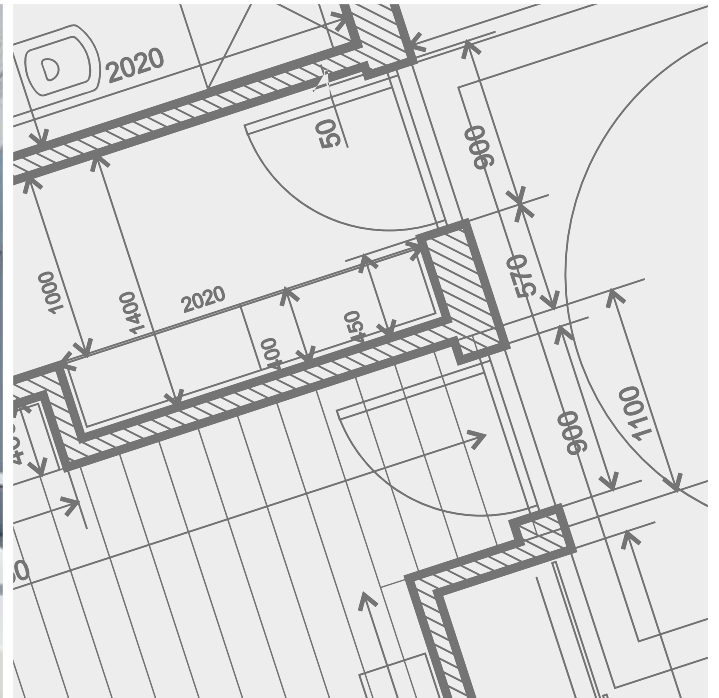




# INVESTMENT CATALOGUE

OPEN UP TO POSSIBILITIES



# SEE OUR REFERENCES

[WWW.PORTADOORS.COM/REALIZATIONS](http://WWW.PORTADOORS.COM/REALIZATIONS)



Poland, Krakow, ICE Kraków Congress Centre



Poland, Gdańsk, Shakespeare Theatre



Poland, Lublin, Ecotech-Complex



Poland, Poznań, Marshal Office



Poland, Wrocław, Sky Tower



Poland, Krakow, Novum Apartments

# CONTENTS

6	.....	Table of Porta doors standard parameters
8	.....	Table of Porta doors applications
10	.....	Interior Doors
30	.....	Fire Resistant Doors
50	.....	Anti-theft Doors
64	.....	Sound Retardant Doors
84	.....	Specialized Doors
97	.....	List of metal door frame profiles
99	.....	Supplementary products for Porta doors
100	.....	Accessories
105	.....	Tables of standard Porta doors dimensions
107	.....	Classification of Porta door finishing



# MATCH YOUR DOORS TO YOUR NEEDS



The set consists of wooden door leaf and steel door frame.

## DESIGN

Match the door model to the function and style of the room.

## FUNCTION

Select door features to rooms and buildings.

## COLOR

Match the door colour to the surrounding.

## PARAMETERS

Select door parameters to your project's requirements.

Our Clients can take advantage of a wide range of standard and non-standard options.



**NON-STANDARD ORDER:** phone: +48/ 58 6778 147 or +48/ 58 6778 131, e-mail: info@porta.com.pl

**STANDARD ORDERS:** Porta Doors catalogue, [www.portadoors.com](http://www.portadoors.com)



School and kindergarten complex No. 4, Tychy, Poland

# TABLE OF PORTA DOORS STANDARD PARAMETERS

## POSSIBILITY OF ADAPTING THE DOORS ACCORDING TO THE DESIGNER'S REQUIREMENTS

MECHANICAL CLASS				BURGLAR RESISTANCE			FIRE RESISTANCE SMOKE-PROOFNESS			ACOUSTIC INSULATION				SPECIALIZED	
class 1	class 2	class 3	class 4	RC 1	RC 2	class C	EI 30	EI 60	Ss, Sm	Rw 27dB Dj 25	Rw 32dB Dj 30	Rw 37dB Dj 35	Rw 42dB Dj 40	class 2	RTG

### INTERIOR DOORS

Panel doors (p. 12)	●	○	●	○	○	○	○	○	○	○	○	○	○	○	○
Frame-and-panel doors (p. 15)	○	●	○	○	○	○	○	○	○	○	○	○	○	○	○
Galvanized steel doors (p. 17)	○	○	●	○	○	○	○	○	○	○	○	○	○	○	○
Stainless steel doors (p. 20)	○	○	●	○	○	○	○	○	○	○	○	○	○	○	○

### INTERIOR ENTRANCE DOORS

GRANITE (p. 52)	○	○	○	●	○	●	●	●	○	●	○	●	○	○	○
GRANITE PS (p. 55)	○	○	○	●	○	●	○	●	○	●	○	●	○	○	○
AGATE (p. 58)	○	○	●	○	○	○	○	○	○	○	○	●	○	○	○
OPAL (p. 61)	○	○	●	○	●	○	○	○	○	○	○	●	○	○	○
QUARTZ (p. 32)	○	○	●	○	●	○	○	●	○	●	○	●	○	○	○

### TECHNICAL DOORS

EI30 (p. 35)	○	○	●	○	○	○	○	○	○	○	○	○	○	○	○
Metal EI30 (p. 41)	○	●	○	○	○	○	○	○	○	○	○	○	○	○	○
EI60 (p. 43)	○	○	●	○	○	○	○	○	○	○	○	○	○	○	○
Metal EI60 (p. 48)	○	○	○	○	○	○	○	○	○	○	○	○	○	○	○
27dB (p. 66)	○	○	●	○	○	○	○	○	○	○	○	○	○	○	○
32dB (p. 70)	○	○	●	○	○	○	○	○	○	○	○	○	○	○	○
37dB (p. 74)	○	○	●	○	○	○	○	○	○	○	○	○	○	○	○
42dB (p. 79)	○	○	●	○	○	○	○	○	○	○	○	○	○	○	○
RENTGEN (p. 86)	○	○	●	○	○	○	○	○	○	○	○	○	○	○	○
AQUA (p. 89)	●	○	○	○	○	○	○	○	○	○	○	○	○	○	○
ENDURO (p. 92)	○	○	●	○	○	○	○	○	○	○	○	○	○	○	○

# PARAMETERS



## MECHANICAL CLASS

Resistance of the door to vertical load, static torsion and impact; corresponding to normal use, depending on the operating conditions (light, medium, heavy and very heavy).



## BURGLAR RESISTANCE

Resistance of the door to unauthorized opening, verified and classified in Class 2 or 3 according to PN-ENV 1627:2012 as well as the withdrawn, but still used Class C according to PN-B-92270:1990.



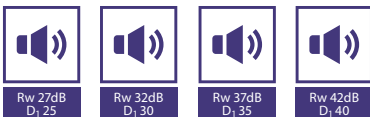
## FIRE RESISTANCE

The ability to stop the spread of fire for a specified period, respectively 30 minutes for Class EI30 and 60 minutes for Class EI60.



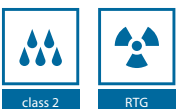
## SMOKE-PROOFNESS

Specifies the tightness of the door to the passage of smoke at room temperature and elevated temperatures up to 200 °C.



## ACOUSTIC INSULATION

Defined by the sound insulation coefficient  $R_w$  and  $D$ , indicates the number of decibels which the door will be able to suppress from the outside.

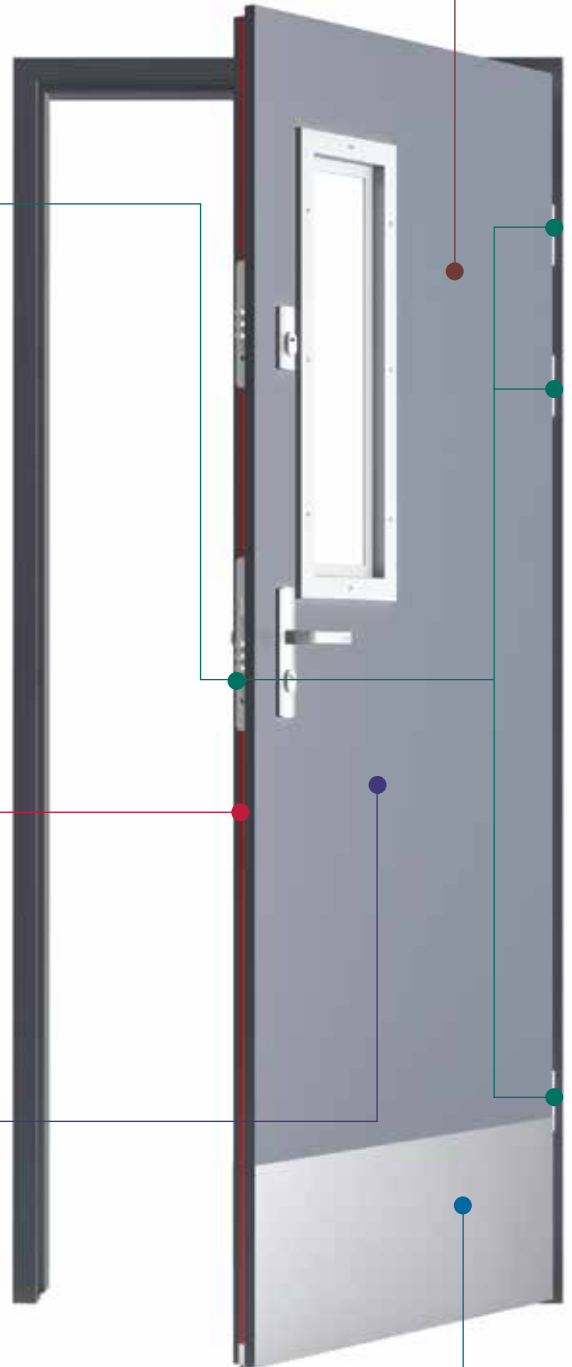


Resistance to climatic conditions

RTG







## SPECIALIZED

Doors with atypical construction made of materials that meet the specific requirements of the designer and user.





# TABLE OF PORTA DOORS APPLICATIONS



## RESIDENTIAL BUILDINGS

EXAMPLES OF APPLICATION	PARAMETERS	DOORS OFFERED BY PORTA	CHECK PAGE
Entrance doors to apartments		OPAL, GRANITE type I and II, GRANITE PS type I and II	52, 55, 61
Entrance doors to apartments		AGATE, OPAL, QUARTZ, GRANITE type I and II, GRANITE PS type I and II	32, 52, 55, 58, 61
Entrance doors to apartments in buildings with a height of over 25 m (9th floor and above)		QUARTZ, GRANITE type II, GRANITE PS type II	32, 52, 55
Doors between fire zones (buildings without fire-proof lobbies)		EI30, EI60	35, 43
Boiler room doors		EI60, Metal EI60	43, 48
Garage doors (not suitable for single-family homes)		EI30, EI60, Metal EI60	35, 43, 48

## HOTELS, RESORTS, GUEST HOUSES, ETC.

EXAMPLARY APPLICATION	PARAMETERS	DOORS PROPOSED BY PORTA	LOOK PAGE
Doors to rooms in low-rise buildings (up to 4 floors)	acc. to the project	27dB, 32dB, 37dB, 42dB, EI30, EI60	35, 43, 66, 70, 74, 79
Doors to rooms in tall buildings (4th floor and above)		37dB, 42dB, EI30, EI60	35, 43, 74, 79
Doors between fire zones (buildings without fire-proof lobbies)		EI30, EI60	35, 43

## OFFICES, SCHOOLS, HOSPITALS, ETC.

EXAMPLARY APPLICATION	PARAMETERS	DOORS PROPOSED BY PORTA	LOOK PAGE
Work rooms	acc. to the project	27dB	66
Rooms for work requiring concentration	acc. the project	27dB, 32dB	66, 70
Executive offices	acc. the project	32dB, 37dB, 42dB	70, 74, 79
Medical offices		27dB, 32dB, 37dB, 42dB	66, 70, 74, 79
Doors between fire zones (buildings without smoke stop lobbies)		EI60	43

Attention: The above table contains general fire protection requirements for buildings. Parameters given in the table should be verified and adapted individually to the given building. Based on Regulation of the Minister of Infrastructure of 12 April 2002 on the technical conditions to be met by buildings and their location (Journal of Laws No. 75/2002, Item 690).



# EXAMPLES OF APPLICATIONS IN POLAND



Poland, Szczecin, Nanotechnology Center



Poland, Rumia, School



Poland, Gdynia, Lecture and Information Center



Poland, Poznań, MM Shopping Center



Poland, Warszawa, Hotel Investment Center



Poland, Nowy Targ, Podhale State College Of Applied Sciences



Poland, Wrocław, Centre for Continuing Education



Poland, Kielce, Echo Shopping Center



Poland, Gdynia, Invest Komfort



Poland, Wrocław, National Academy of Theatre Arts



Poland, Wrocław, National Academy of Theatre Arts



Poland, Wrocław, Musical Theatre Capitol

## EXAMPLES OF SOLUTIONS



Panel non-rebated door with LEVEL door frame



Panel (Veneered) door with Porta SYSTEM door frame  
 non-standard solution: laminate color, upper transom



Panel (Veneered) door with metal door frame  
 non-standard solution: laminate color, push-bar panel, ventilation panel of stainless steel



Panel door (Nature CONCEPT) with Porta SYSTEM ELEGANCE door frame  
 standard solution: relief panel



Frame-and-panel door (Nature CONCEPT) with Porta SYSTEM door frame  
 standard solution: double door



STAINLESS STEEL DOOR with a metal door frame  
 non-standard solution: double door, panic lock with panic bar

## SELECTED PROJECTS



Poland, Łódź, Art Centrum Incubator



Poland, Wrocław, Wojdyła Business Park



Poland, Gdynia, Lexus

# INTERIOR DOORS



## Panel doors

Interior doors / p. 12



## Frame-and-panel doors

Interior doors / p. 15



## Galvanized steel doors

Interior doors / p. 17



## Stainless steel doors

Interior doors / p. 20



## Basic metal doors

Interior doors / p. 22

## Door frames

/ p. 23

## Other doors with a mechanical class parameter:

QUARTZ / p. 32

EI30 / p. 35

EI30 Metal / p. 41

EI60 / p. 43

AGATE / p. 58

OPAL / p. 61

27dB / p. 66

32dB / p. 70

37dB / p. 74

42dB / p. 79

RENTGEN / p. 86

AQUA / p. 89

ENDURO / p. 92



Technical Approval AT-15-3691/2012 • Hygienic Certificate 19/322/20/2013



Mechanical class: 1 according to PN-EN 1192:2001  
 Mechanical class: 3 according to PN-EN 1192:2001

## PURPOSE AND SCOPE OF USE

PORTA system flat doors are designed for use in apartment buildings and public buildings as interior doors. Due to the strength properties, the doors can be used in conditions corresponding to Class 1 of mechanical properties according to PN-EN 1192:2001 i.e. in light use conditions - in the case of DWL doors with honeycomb filling, and Class 3 of mechanical properties according to PN-EN 1192:2001 i.e. in light, medium and heavy use conditions - in the case of DWL doors - solid and glazed, with the glazing area not exceeding 50% of the leaf, with solid or tubular chipboard filling.

**DOOR MARKING:** DWL - single or double interior leaf in rebated or non-rebated version.

## CONSTRUCTION

### A. FINISHING

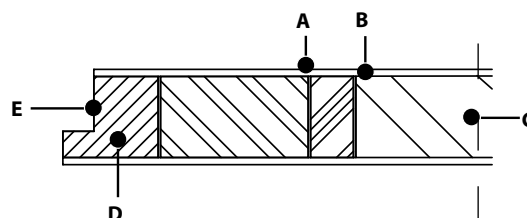
Veneer: CPL, HPL, PVC foil, Natural Standard, Natural Select, Acrylic Paint and other Porta veneers.  
 Patterns and colors from the standard and non-standard collection.

### B. COVERING

- HDF board
- chipboard (doors in natural veneers)

### C. FILLING

- perforated chipboard reinforced with an internal plywood muntin
- "honeycomb" insert
- solid chipboard reinforced with an internal plywood muntin



### D. CONSTRUCTION FRAME

Construction frame made of laminated softwood.

### E. EDGE

With CPL finish, both vertical edges of the door are covered with 1 mm thick ABS tape.  
 In other types of finishing, the edge tape has the same color as the door leaf.

## DIMENSIONAL RANGES

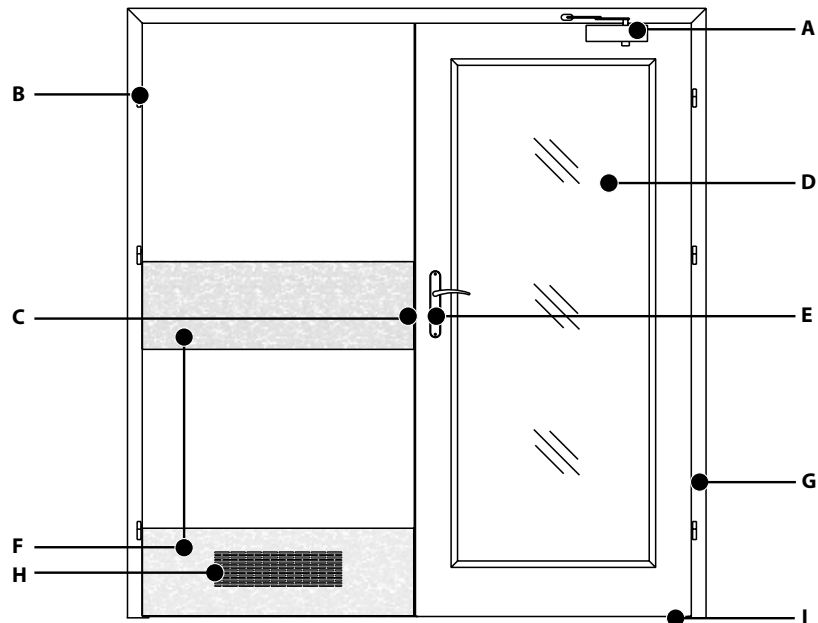
TECHNICAL APPROVAL (TA)			INDIVIDUAL USE APPROVAL (IUA)
TYPE OF DOOR	SINGLE LEAF WIDTH $S_s$	LEAF HEIGHT $H_s$	LEAF HEIGHT $H_s$
Single leaf rebated	max 1244 mm*	max 2200 mm	max 2500 mm***
Single leaf non-rebated	max 1218 mm*	max 2200 mm	max 2500 mm***
Double leaf rebated	max 1244 mm*, **	max 2200 mm	max 2500 mm***
Double leaf non-rebated	max 1231 mm*, **	max 2200 mm	max 2500 mm***

\* Size "110" and "120" and double leaf can be made in lower mechanical class.

\*\* Total width of a set of two leaves cannot exceed, according to TA: 2079 mm for rebated doors, 2040 mm non-rebated doors. Larger sizes are available under an IUA.

\*\*\* In individual cases, door leaves might be produced in a height up to  $H_s=2800$  mm.

## ACCESSORIES AND EQUIPMENT

**A. SELF-CLOSER** (see accessories on page 101)

- **Surface mounted:**

Arm and rail door closers fitted to the size and weight of the leaf may be used. The use of door closers requires strengthening the leaf and the frame.

- **Hidden:**

Requires increasing the thickness of the leaf and the frame rebate.

Proposed self-closers:

- Eco Schulte ITS Multi Genius
- Dorma ITS 96
- Geze Boxer 2-4

**B. HINGES** (see accessories page 100)

- **Non-rebated doors:**

- 3D hidden for ELEGANCE frames
- standard surface mounted for ELEGANCE frames
- surface mounted for MDF frames
- surface mounted for metal frames
- swinging doors

- **Rebated doors:**

- two-part pintle hinge (also available in Prime version)
- three-part reinforced hinge
- rising hinge

**C.  ELECTRIC STRIKE** (see accessories page 102)

A number of electric strikes suggested by the customer can be used.






Proposed electric strikes:

**For single and double leaf doors:**

- fail-secure JIS 1710, Eff Eff 118
- fail-safe MCM 611, Eff Eff 138, O&C 34.1.00.E


Power supply method according to the manufacturer of electric strikes.

## D. GLAZING



- Maximum glazing size depends on the width of the leaf:
  - in single-leaf doors 900 x 1740 mm
  - in double-leaf doors 800 x 1740 mm
- Glazing designs in accordance with the current Porta offer or  customer requirements.
- Glazing types in accordance with the current Porta offer or  customer requirements (minimum glass thickness 4 mm).
- Safety glasses available: tempered or  laminated.
- Alternatively, instead of glass: filled with flat, profiled or relief panels.
- Glazing frame made of MDF or PVC and  stainless steel.
- Stainless steel porthole with inner diameter of 250 mm for the "60" and "70" size and 300 mm for the others sizes.
-  Solid wood or MDF porthole.

## E. LOCKS (see accessories page 103)

**Main lock:** regular key, bathroom lock, cylinder insert lock.

 **Roll lock.**

 **Additional upper cylinder insert lock.**

**Hook lock:** regular key,  bathroom lock,  cylinder insert lock.

 **Panic lock.**

Proposed locks:

- in single-leaf doors, mortise lock GBS 92 72/65 with function B
- in double-leaf doors: in the active leaf, mortise lock GBS 94 72/65, with function B, in the passive leaf, lock GBS 93

Panic fittings available in handle - handle or handle - panic bar configurations.

 **Hotel lock.**

The possibility of preparing leaves and frames for mounting series of electronic locks listed in Technical Approval or having the appropriate certificates.

## F. PROTECTIVE PANEL (see accessories page 101)

Stainless steel panels with a thickness of 0.6 mm for the doors are available.

Proposed panels:

- bottom kick panel with a height of 300 mm
- upper push panel at the height of the handle with a height of 300 mm
- bottom ventilation panel with a height of 300 mm

The doors can be equipped with grilles, ventilation sleeves ventilation undercut.

## G. FRAMES (more information on page 23)

Available types of frames:

### • Wood:

- adjustable Porta SYSTEM
- adjustable Porta SYSTEM ELEGANCE
- fixed MINIMAX
- adjustable LEVEL
- Renova

### • Metal:


- Angle-bar Small and Angle-bar Large
- adjustable
- Angle-bar Large non-rebated with hidden hinges
- adjustable non-rebated with hidden hinges

## H. VENTILATION (more information on page 101)

- PVC ventilation grilles in standard or  RAL color according to customer requirements
-  stainless steel ventilation grilles

## I. BOTTOM SEAL

Automatic threshold seal.

 Possibility of using other solutions and accessories than those listed above (e.g. electromagnetic lock, electromagnetic holders, semi-automatic edge bolt from page 102), after consultation with the Contract Department.

Technical Approval AT-15-6515/2009 • Hygienic Certificate 5/779/27/2010



class 2


Mechanical class: 2 according to PN-EN 1192:2001

## PURPOSE AND SCOPE OF USE

Wooden interior frame-and-panel Porta doors are dedicated to use in apartment buildings and public buildings as interior doors, used in accordance with the terminology established in PN-B-91000:1996 as closures in internal walls between rooms. In view of the door strength requirements, the doors may be used in medium use conditions, i.e. under conditions corresponding to the requirements for Class 2 according to PN EN 1192:2001.

## CONSTRUCTION

### A. FINISHING

Veneer: Natural Standard, Natural Select, Acrylic Paint UV and other Porta veneers.  
Patterns and colors from the standard and  non-standard collection.

### B. FILLING

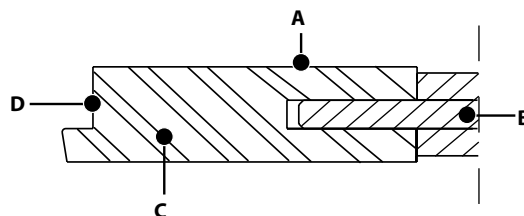
- MDF panel
- relief board
- safety glass

### C. CONSTRUCTION FRAME

Construction frame made of wooden materials:  
softwood, plywood, chipboard, MDF.

### D. EDGE

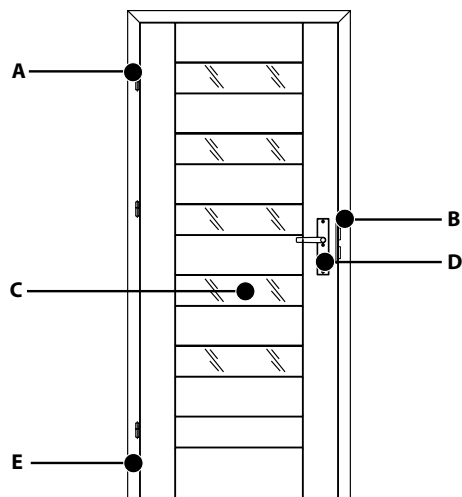
Synthetic or natural veneer in leaf color.



## DIMENSIONAL RANGES WITHIN THE TECHNICAL APPROVAL

TYPE OF DOOR	SINGLE LEAF WIDTH $S_s$	LEAF HEIGHT $H_s$
Single leaf rebated	max 1044 mm	max 2200 mm
Single leaf non-rebated	max 1018 mm	max 2200 mm
Double leaf rebated	max 1044 mm	max 2200 mm
Double leaf non-rebated	max 1031 mm	max 2200 mm

## ACCESSORIES AND EQUIPMENT



### A. HINGES (see accessories page 100)

#### • Non-rebated doors:

- 3D hidden for ELEGANCE frames
- surface mounted for ELEGANCE FRAME
- surface mounted for MDF frames
- surface mounted for metal frames

#### • Rebated doors:

- two-part pintle hinge (also available in Prime version)
- three-part reinforced hinge
- rising hinge

### B. ELECTRIC STRIKE (see accessories page 102)

A number of electric strikes suggested by the customer can be used.

Proposed electric strikes:

#### • For single door leaves:

- fail-secure JIS 1710, Eff Eff 118
- fail-safe MCM 611, Eff Eff 138, O&C 34.1.00.E

Power supply method according to the manufacturer of electric strikes.

### C. GLAZING

- Glazing designs in accordance with the current Porta offer or  according to customer requirements.
- Glass types in accordance with the current Porta offer or  according to customer requirements (minimum glass thickness 4 mm).
- Available glasses: tempered or  laminated.
- Alternatively, instead of glass: filled with flat, profiled or relief panels.

### D. LOCKS (see accessories page 103)

**Main lock:** regular key, bathroom lock, cylinder insert lock.

**Roll lock.**

**Additional upper cylinder insert lock.**

**Hook lock:** regular key,  bathroom lock,  cylinder insert lock.

**Hotel lock.**

Possibility of preparing leaves and frames for mounting series of electronic locks listed in Technical Approval or having the appropriate certificates.

### E. FRAMES (more information on page 23)

Available types of frames:

#### • Wood:

- Adjustable Porta SYSTEM
- Adjustable Porta SYSTEM ELEGANCE
- Fixed MINIMAX

- Adjustable LEVEL
- Adjustable Renova

#### • Metal:

- Angle-bar Small and Angle-bar Large
- Adjustable

Possibility of using other solutions and accessories than those listed above (e.g. electromagnetic lock, electromagnetic holders, semi-automatic edge bolt from page 102), after consultation with the Contract Department.



Technical Approval AT-15-8081/2016 • Hygienic Certificate 7/779/8/2009,8/779/9/2009,9/779/10/2009,10/779/11/2010,11/779/12/2011



class 3

Mechanical class: 3 according to PN-EN 1192:2001


## PURPOSE AND SCOPE OF USE

Steel interior Porta doors are designed for use in residential and public buildings as interior doors, closures of openings in internal walls between rooms. Due to the strength requirements, steel doors and leaves can be used in conditions corresponding to Class 3 requirements of PN-EN 1192:2001, i.e. heavy use conditions for leaves with steel Porta frames according to AT-15-7122/2006 or Porta three-part metal door frames according to AT-06-0821/2005.

Due to the requirements for corrosion resistance, the doors can be used in Class C3 corrosion aggressiveness environments according to PN-EN ISO 12944-2:2001.

## CONSTRUCTION

### A. FINISHING

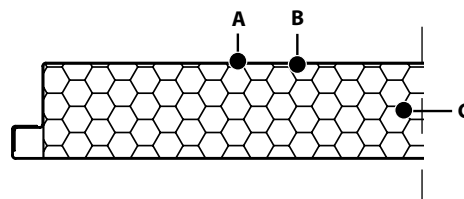
Polyester powder paint, PVC foil.  
Patterns and colors from the standard and  non-standard collection.

### B. COVERING

Galvanized steel sheet 0,6 mm.

### C. FILLING

- “honeycomb” insert
- styrofoam (“unpainted” surface finishing version)
- mineral wool

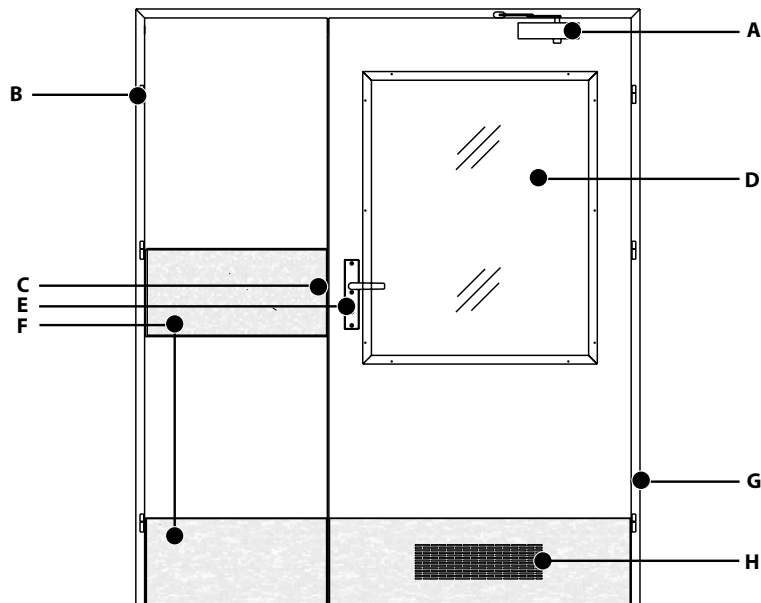


## DIMENSIONAL RANGES WITHIN THE TECHNICAL APPROVAL

TYPE OF DOOR	SINGLE LEAF WIDTH $S_s$	LEAF HEIGHT $H_s$
Single leaf rebated	max 1244 mm	max 2430 mm
Double leaf rebated	max 1244 mm*	max 2430 mm

\* Total width of a set of two leaves cannot exceed acc. to AT: 2179 mm for rebated doors. Larger sizes are available under an IUA.

## ACCESSORIES AND EQUIPMENT



### A. SELF-CLOSER (see accessories page 101)

**Surface mounted:**

Arm and rail door closers fitted to the size and weight of the leaf may be used. The use of door closers requires strengthening the leaf and the frame.

### B. HINGES (see accessories page 100)

- two-part pintle hinge
- three-part reinforced hinge
- rising hinge

### C. ELECTRIC STRIKE (see accessories page 102)

A number of electric strikes suggested by the customer can be used.

**Proposed electric strikes:**

- For single door leaves:
  - fail-secure JIS 1710
  - fail-safe MCM 611
- For double-leaf doors:
  - fail-secure JIS 1410
  - fail-safe JIS 1411

Power supply method according to the manufacturer of electric strikes.

### D. GLAZING

- Glazing designs in accordance with the current Porta offer or  according to customer requirements.
- Glass types in accordance with the current Porta offer or  according to customer requirements (glass thickness 4 - 6 mm).
- Available glasses: tempered or  laminated.
- Steel glazing frames.
- Stainless steel porthole with inner diameter of 250 mm for the "60" and "70" size and 300 mm for the other sizes.

**E. LOCKS** (see accessories page 103)

**Main lock:** regular key, bathroom lock, cylinder insert lock.

**Roll lock.**

**Panic lock.**

Proposed locks:

- in single-leaf doors, mortise lock GBS 92 72/65 with function B
- in double-leaf doors: in the active leaf, mortise lock GBS 94 72/65 with function B, in the passive leaf - lock GBS 93.

Panic fittings available in handle - handle or handle - panic bar configurations.

**F. PROTECTIVE PANEL** (see accessories page 101)

Stainless steel panels with a thickness of 0.6 mm for the doors are available.

Proposed panels:

- bottom kick panel with a height of 300 mm
- upper push panel at the height of the handle with a height of 300 mm
- bottom ventilation panel with a height of 300 mm

The doors can be equipped with grilles, ventilation sleeves.

**G. FRAMES** (more information on page 23)

Available types of frames:

**Metal:**

- Angle-bar Small and Angle-bar Large
- Adjustable

**H. VENTILATION** (more information on page 101)

- PVC ventilation grilles in standard or  RAL color according to customer requirements
- stainless steel ventilation grilles

Possibility of using other solutions and accessories than those listed above (e.g. electromagnetic lock, electromagnetic holders, semi-automatic edge bolt from page 98), after consultation with the Contract Department.



Technical Approval AT-15-8081/2016 • Hygienic Certificate 7/779/8/2009,8/779/9/2009,9/779/10/2009,10/779/11/2010,11/779/12/2011



Mechanical class: 3 according to PN-EN 1192:2001

class 3

## PURPOSE AND SCOPE OF USE

Interior steel Porta doors are dedicated for use in residential and public buildings as interior doors, closures of openings in internal walls between rooms. Due to the strength requirements, steel doors and leaves can be used in conditions corresponding to Class 3 of requirements according to PN-EN 1192:2001, i.e. heavy use conditions for leaves with steel Porta frames according to AT-15-7122/2006 or Porta metal folding door frames according to AT-06-0821/2005.

Due to the requirements for corrosion resistance, the doors can be used in Class C3 corrosion aggressiveness environments according to PN-EN ISO 12944-2:2001.

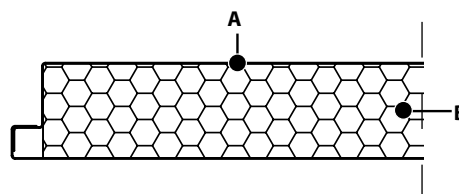
## CONSTRUCTION

### A. FINISHING

Stainless steel sheet 0,6 mm.

### B. FILLING

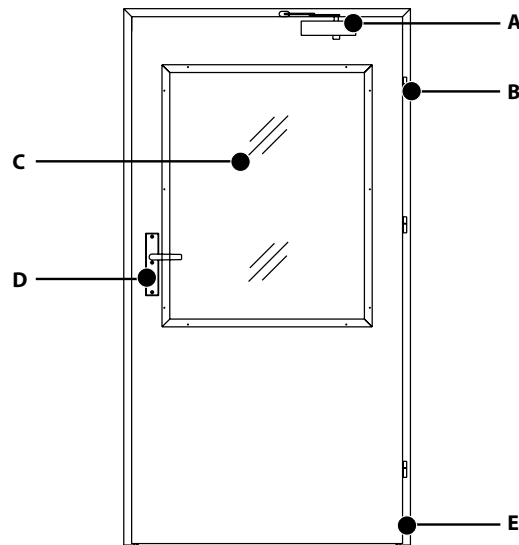
- "honeycomb" insert
- styrofoam
- mineral wool



## DIMENSIONAL RANGES WITHIN THE TECHNICAL APPROVAL

TYPE OF DOOR	LEAF WIDTH $S_s$	LEAF HEIGHT $H_s$
Single leaf rebated	max 1144 mm	max 2030 mm

## ACCESSORIES AND EQUIPMENT



### A. SELF-CLOSER (see accessories page 101)

#### Surface mounted:

Arm and rail door closers fitted to the size and weight of the leaf may be used.

The use of door closers requires strengthening the leaf and the frame.

### B. HINGES (see accessories page 100)

- two-part pintle hinge
- three-part reinforced hinge
- rising hinge

### C. GLAZING

- Glazing designs in accordance with the current Porta offer or  according to customer requirements.
- Glass types in accordance with the current Porta offer or  according to customer requirements (glass thickness 4 – 6 mm).  
Available glasses: tempered or  laminated.
- Steel glazing frames.
- Stainless steel porthole with inner diameter of 250 mm for the “60” and “70” size and 300 mm for the others sizes.

### D. LOCKS (see accessories page 103)

**Main lock** with a stainless steel front: regular key, bathroom lock, cylinder insert lock.

**Roll lock with** a stainless steel front.

**Panic lock.**

Proposed locks:

- in single-leaf doors, mortise lock GBS 92 72/65 with function B
  - in double-leaf doors: in the active leaf, mortise lock GBS 94 72/65 with function B, in the passive leaf - lock GBS 93
- Panic fittings available in handle – handle or handle – panic bar configurations.

### E. FRAMES (more information on page 23)

Available types of frames:

#### Metal:

- Large folding angle-bar door frame of stainless steel
- Angle-bar Large painted door frame

Possibility of using other solutions and accessories than those listed above (e.g. electromagnetic lock, electromagnetic holders), after consultation with the Contract Department.



Technical Approval AT-15-8081/2016

## PURPOSE AND SCOPE OF USE

Economical interior steel Porta Basic doors are dedicated to use residential and public buildings as closures of openings in internal walls.

## CONSTRUCTION

### A. FINISHING

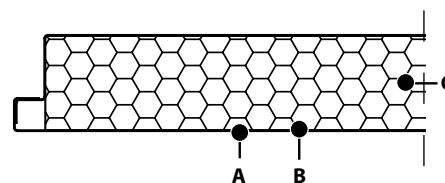
Galvanized steel sheet 0,5 mm.

### B. COVERING

Galvanised sheet or laminated sheet.  
Colors from the Porta standard collection.

### C. FILLING

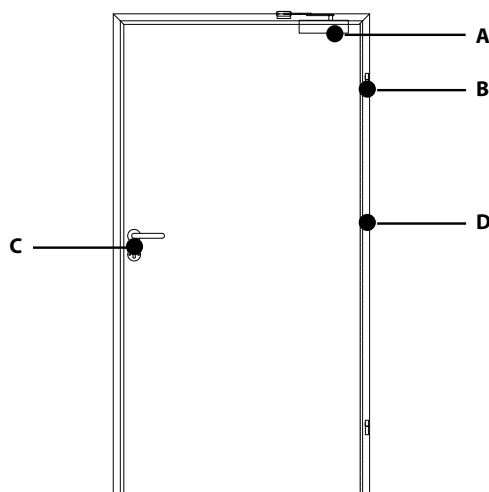
"honeycomb" insert.



## DIMENSIONAL RANGES WITHIN THE STANDARD PORTA OFFER

TYPE OF DOOR	LEAF WIDTH $S_s$	LEAF HEIGHT $H_s$
Single leaf solid rebated	max 1052 mm	max 2030 mm

## ACCESSORIES AND EQUIPMENT



### A. SELF-CLOSER (see accessories page 101)

**Surface mounted:** Arm and rail door closers fitted to the size and weight of the leaf may be used. **K** The use of door closers requires strengthening the leaf and the frame.

### B. HINGES (see accessories page 100)

Two two-part pintle hinges.

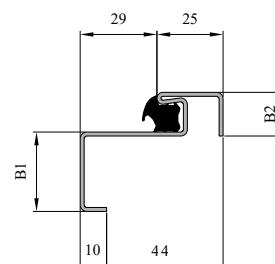
### C. LOCK (see accessories page 103)

Main lock - cylinder insert lock.

### D. DOOR FRAME (more information on page 23)

Angle-bar galvanized steel door frame, coated with 1.2 mm polyester.

B1 Height of the front angle-bar (mm) - standard 30	B2 Back angle-bar
<b>K</b> 30-55	16,5

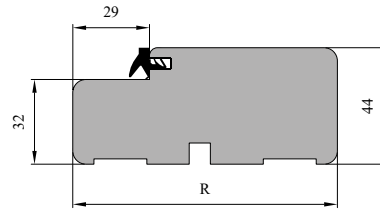


## WOODEN DOOR FRAMES

Available as fixed door frames MINIMAX and adjustable door frames Porta SYSTEM (for rebated doors) and Porta SYSTEM ELEGANCE (for non-rebated doors). Door frames are finished with veneers in patterns and colors from the standard and  non-standard collection. Architraves and quarterrounds are available for fixed door frames.  Adjustable door frames are also available in main beams of plywood version. Presented door frame dimensions do not include the thickness of the veneer.

### FIXED DOOR FRAME MINIMAX 100

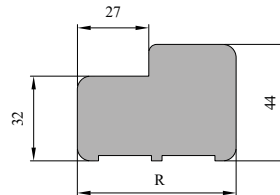
R Range of wall thickness [mm]	Type of door frame
100	100



### FIXED DOOR FRAME MINIMAX 60

R Range of wall thickness [mm]	Type of door frame
60	60

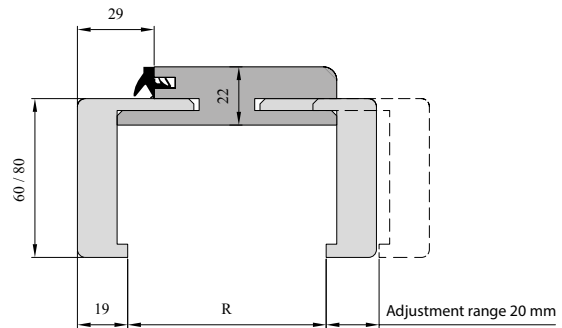
Available in synthetic veneers.



### PORTA SYSTEM DOOR FRAME

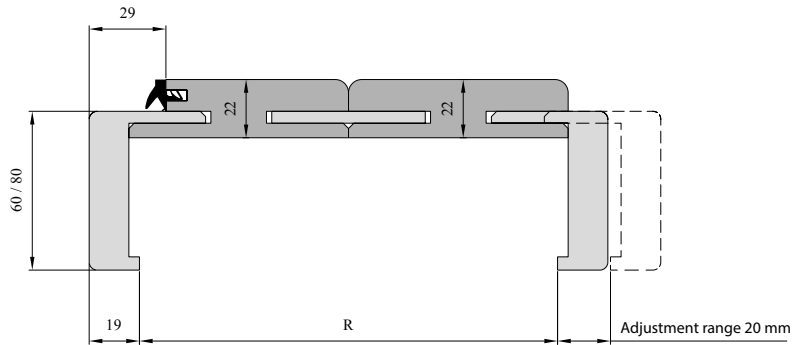
R Range of wall thickness [mm]	Type of door frame
50-55	<input checked="" type="checkbox"/> A3
60-70	<input checked="" type="checkbox"/> A2
65-75	<input checked="" type="checkbox"/> A1
75-95	A
95-115	B
120-140	C
140-160	D
160-180	E
180-200	F
200-220	G
220-240	H
240-260	I
260-280	J
280-300	K
300-320	<input checked="" type="checkbox"/> L
320-340	<input checked="" type="checkbox"/> M
340-360	<input checked="" type="checkbox"/> N

- ranges M and N only available in synthetic veneers



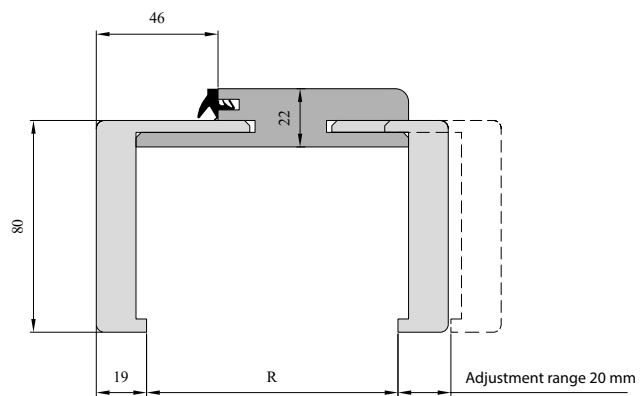
### COMBINING PORTA SYSTEM DOOR FRAME (FOLDING)

R Range of wall thickness [mm]	Type of door frame
288-308	D+D
308-328	E+D
328-348	E+E
348-368	F+E
368-388	F+F
388-408	G+F
408-428	G+G
428-448	H+G
448-468	H+H
468-488	I+H
488-508	I+I
508-528	J+I
528-548	J+J
548-568	K+J
568-588	K+K



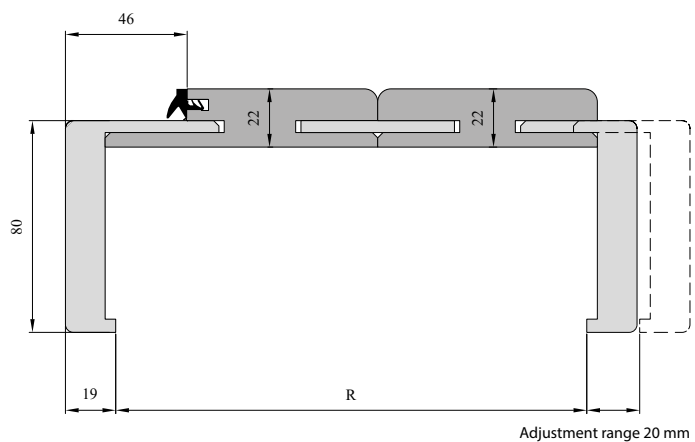
### PORTA SYSTEM ELEGANCE DOOR FRAME - SYNTHETIC VENEERS

R Range of wall thickness [mm]	Type of door frame
85-95	<input checked="" type="checkbox"/> A
95-115	B
120-140	C
140-160	D
160-180	E
180-200	F
200-220	G
220-240	H
240-260	I
260-280	J
280-300	K
300-320	<input checked="" type="checkbox"/> L
320-340	<input checked="" type="checkbox"/> M
340-360	<input checked="" type="checkbox"/> N



### COMBINING PORTA SYSTEM ELEGANCE DOOR FRAME (FOLDING) - SYNTHETIC VENEERS

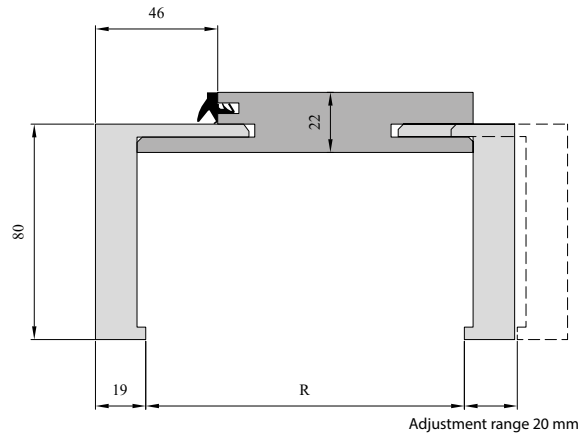
R Range of wall thickness [mm]	Type of door frame
288-308	D+D
308-328	E+D
328-348	E+E
348-368	F+E
368-388	F+F
388-408	G+F
408-428	G+G
428-448	H+G
448-468	H+H
468-488	I+H
488-508	I+I
508-528	J+I
528-548	J+J
548-568	K+J
568-588	K+K





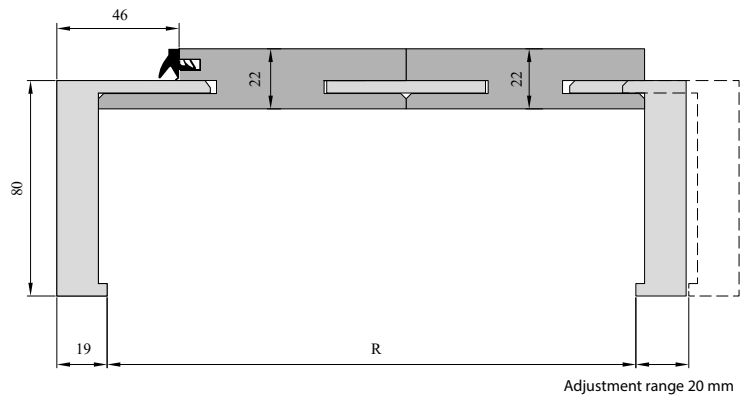
**PORTA SYSTEM ELEGANCE DOOR FRAME - NATURAL VENEERS**

R Range of wall thickness [mm]	Type of door frame
85-95	<input checked="" type="checkbox"/> A
95-115	B
120-140	C
140-160	D
160-180	E
180-200	F
200-220	G
220-240	H
240-260	I
260-280	J
280-300	K
300-320	<input checked="" type="checkbox"/> L



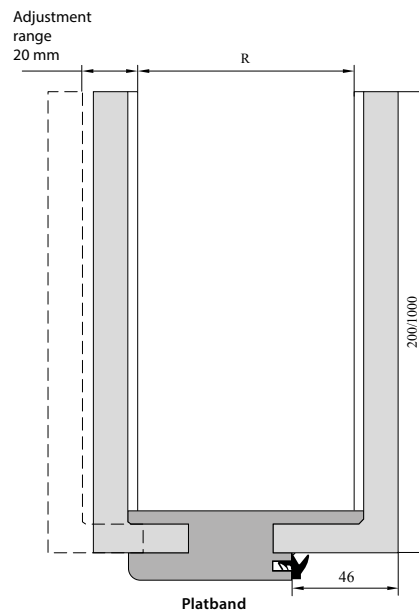
**COMBINING PORTA SYSTEM ELEGANCE DOOR FRAME (FOLDING) - NATURAL VENEERS**

R Range of wall thickness [mm]	Type of door frame
288-308	D+D
308-328	E+D
328-348	E+E
348-368	F+E
368-388	F+F
388-408	G+F
408-428	G+G
428-448	H+G
448-468	H+H
468-488	I+H
488-508	I+I
508-528	J+I
528-548	J+J
548-568	K+J
568-588	K+K



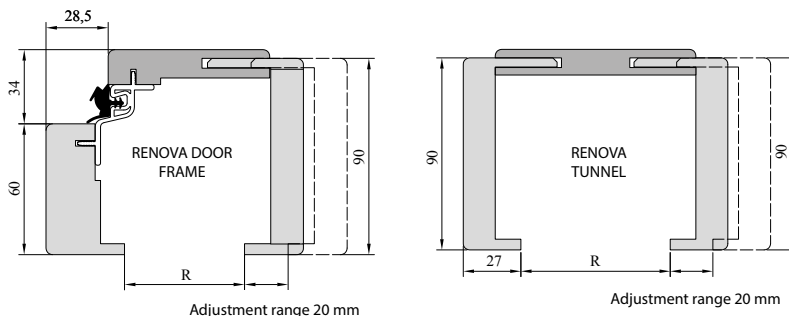
**LEVEL DOOR FRAME (PLATBAND PROFILE)**

R Range of wall thickness [mm]	Type of door frame
95-115	B
120-140	C
140-160	D
160-180	E
180-200	F
200-220	G
220-240	H
240-260	I
260-280	J
280-300	K



### RENOVA DOOR FRAME, RENOVA TUNNEL

R Range of wall thickness [mm]	Type of door frame	Type of tunnel
55-75	S	5
75-95	A	A
95-115	B	B
120-140	C	C
140-160	D	D
160-180	E	E
180-200	F	F
200-220	G	G
220-240	H	H
240-260	I	I
260-280	J	J

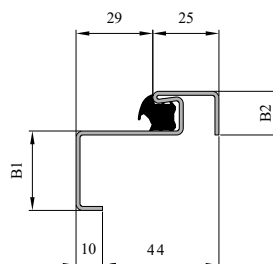


### METAL DOOR FRAMES

Made of galvanized steel sheet with a thickness of 1.2 mm and 1,5 mm. Powder coated, available in colors included in Porta's current offer or any RAL and NCS color. Stainless steel and PVC-laminated galvanized steel version - folding Angle-bar Large door frame.

#### ANGLE-BAR SMALL METAL DOOR FRAME

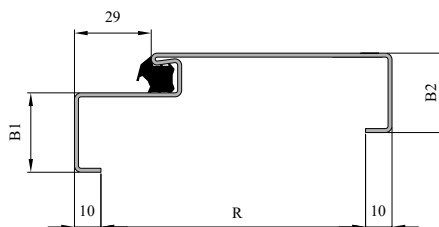
B1 Height of the front angle-bar [mm] - standard 30	B2 Back angle-bar
30-55	16,5



#### ANGLE-BAR LARGE METAL DOOR FRAME (galvanized steel)

#### ANGLE-BAR LARGE FOLDING METAL DOOR FRAME (stainless steel, galvanized steel, PVC-laminated sheet\*)

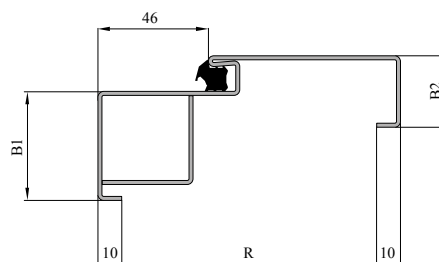
	R Range of wall thickness [mm] standard 100	B1 Height of the front angle-bar [mm] standard 30	B2 Height of the back angle-bar [mm] standard 30
galvanized steel	80-480	30-55	30-75
stainless steel	80-150	30	30



\* folding laminated steel door frame only with the standard profile R=80 mm

#### ANGLE-BAR LARGE UNREBATED DOOR FRAME WITH HIDDEN HINGES

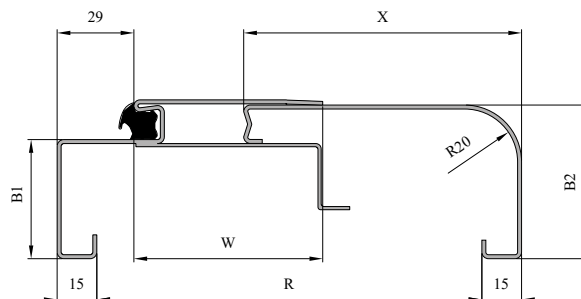
	R Range of wall thickness [mm] standard 100	B1 Height of the front angle-bar [mm] standard 45	B2 Height of the back angle-bar [mm] standard 30
galvanized steel	80-480	50-55	30-75



### ADJUSTABLE METAL DOOR FRAME

Made of galvanized steel sheet 1.5 mm.

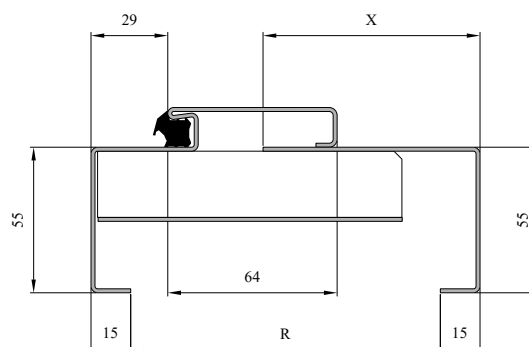
R Range of wall thickness [mm]	Type of door frame	X Adjustable closing profile [mm]	W Affixed front profile [mm]
95-120	A	82	50
121-145	B	105	60
146-170	C	130	
171-195	D	155	70
196-220	E	180	
221-245	F	205	80
246-270	G	230	
271-295	H	255	90
296-320	❏ I	280	
321-345	❏ J	305	
346-370	❏ K	330	
371-395	❏ L	355	
396-420	❏ M	380	
421-445	❏ N	405	
446-470	❏ O	430	



B1 Height of the front angle-bar [mm] standard 45	B2 Height of the back angle-bar [mm] standard 60
❏ 50-55	❏ 65-75

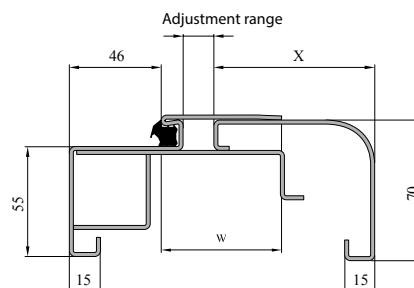
### ADJUSTABLE PORTA SYSTEM METAL DOOR FRAME

R Range of wall thickness [mm]	Type of door frame	X Adjustable closing profile [mm]	W Affixed front profile [mm]
95-120	A	82	50
121-145	B	105	60
146-170	C	130	
171-195	D	155	70
196-220	E	180	
221-245	F	205	80
246-270	G	230	
271-295	H	255	90



### ❏ ADJUSTABLE METAL UNREBATED DOOR FRAME WITH HIDDEN HINGES

R Range of wall thickness [mm]	Type of door frame	X Adjustable closing profile [mm]	W Affixed front profile [mm]
95-120	A	82	50
121-145	B	105	60
146-170	C	130	
171-195	D	155	70
196-220	E	180	
221-245	F	205	80
246-270	G	230	
271-295	H	255	90
296-320	❏ I	280	
321-345	❏ J	305	
346-370	❏ K	330	
371-395	❏ L	355	
396-420	❏ M	380	
421-445	❏ N	405	
446-470	❏ O	430	

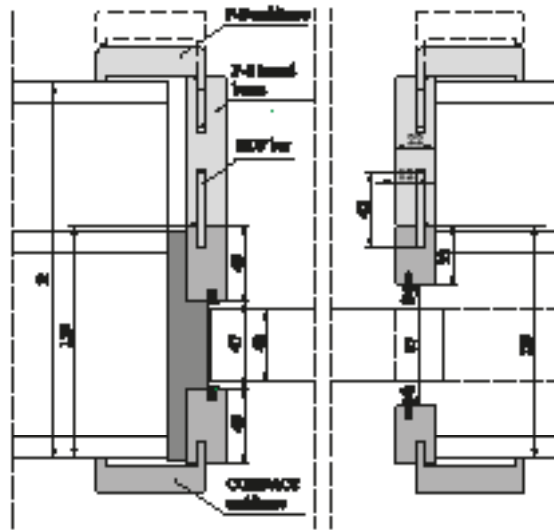


## COMPACT DOOR FRAMES

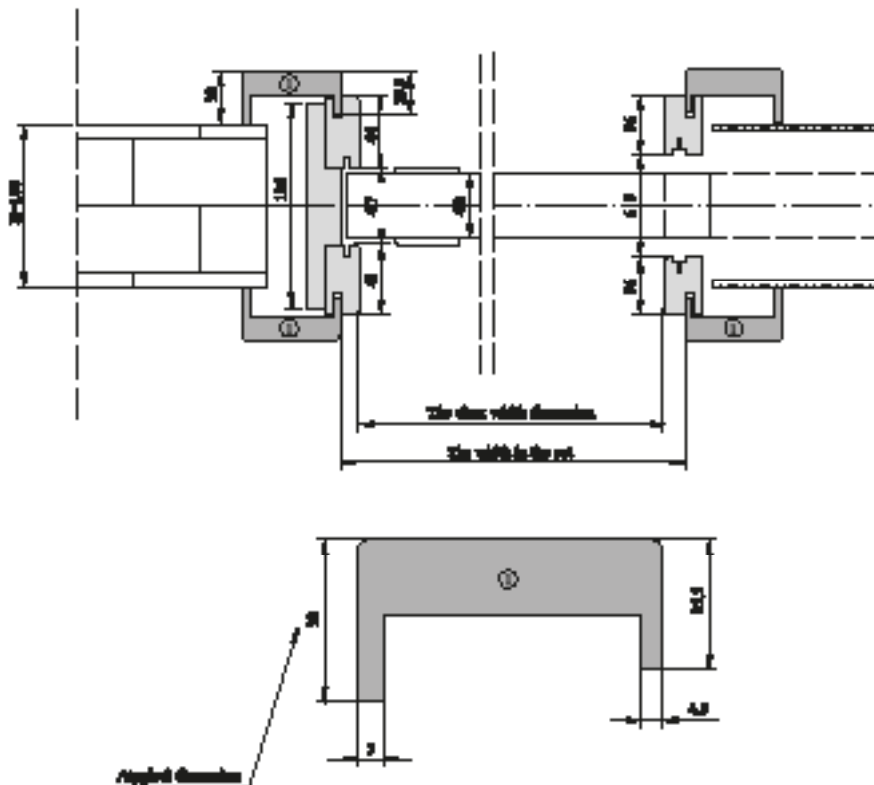
Door frames made of wood-based materials covered with veneer adequate to the colors and types of finishing dedicated to sliding doors. Compact door frames are designed for openings in plasterboard walls where a metal casing cooperating with the sliding door has been concealed. **K** Below are solutions for different wall thickness and other unusual door frame solutions available from Porta. Presented frame dimensions do not include the thickness of the veneer.

### COMPACT DOOR FRAME FOR ASYMMETRIC INSTALLATION

Range of wall thickness [mm]	Type of door frame	R Dimension [mm]
208-228	A	129+75+4
228-248	B	129+95+4
253-273	C	129+120+4
273-293	D	129+140+4
293-313	E	129+160+4
313-333	F	129+180+4
333-353	G	129+200+4
353-373	H	129+220+4
373-393	I	129+240+4
393-413	J	129+260+4
413-433	K	129+280+4

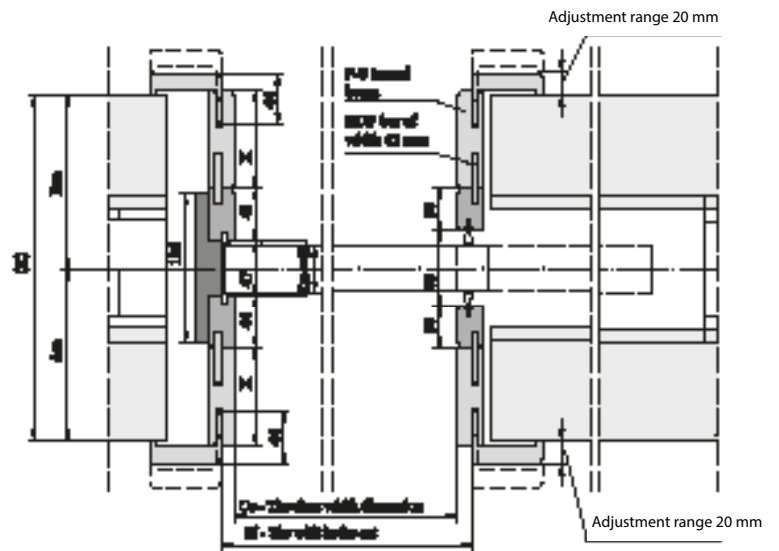


### **K** COMPACT DOOR FRAME FOR INSTALLATION IN WALLS WITH A THICKNESS OF 100MM (ATYPICAL ARCHITRAVES FEATHER).

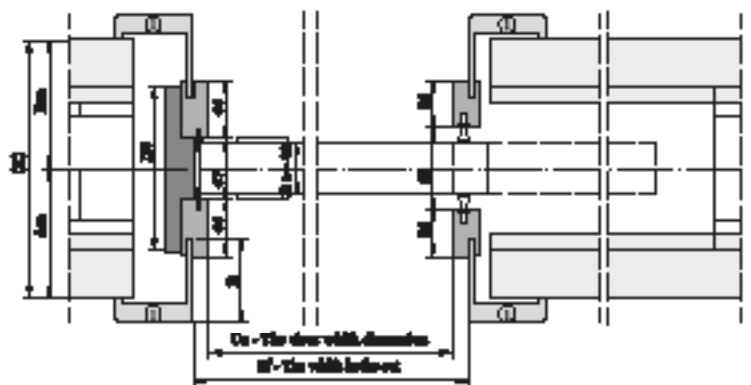
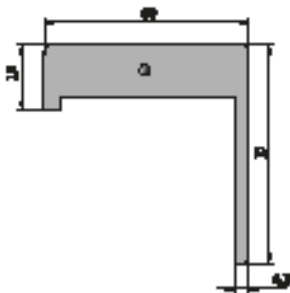


### COMPACT DOOR FRAME FOR SYMMETRICAL INSTALLATION

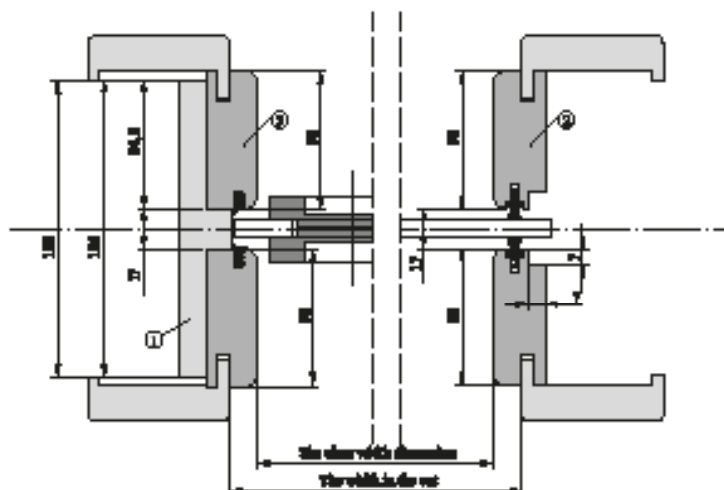
R Range of wall thickness [mm]	Type of door frame	X Dimension [mm]	Am Dimension [mm]	Bm Dimension [mm]
293-333	2 x tunnel A	83	146,5	146,5
333-373	2 x tunnel B	103	166,5	166,5
383-423	2 x tunnel C	128	191,5	191,5
423-463	2 x tunnel D	148	211,5	211,5
463-503	2 x tunnel E	168	231,5	231,5
503-543	2 x tunnel F	188	251,5	251,5
543-583	2 x tunnel G	208	271,5	271,5
583-623	2 x tunnel H	228	291,5	291,5
623-663	2 x tunnel I	248	311,5	311,5
663-703	2 x tunnel J	268	331,5	331,5
703-743	2 x tunnel K	288	351,5	351,5



R Range of wall thickness [mm]	Type of door frame	D Dimension [mm]	Am Dimension [mm]	Bm Dimension [mm]
125 (standard)	R0	25,5	62,5	62,5
158	R1	44	79	79
170	R2	50	85	85
198	R3	64	99	99



### COMPACT DOOR FRAME FOR GLASS PANELS.



Any deviation from the above presented solutions should be consulted with the Porta Contract Department.

## EXAMPLES OF SOLUTIONS



EI30 metal with a metal door frame

☒ Non-standard solution:  
finishing color



EI30 with a MDF door frame

☒ Non-standard solution:  
finishing color, glazing size, panic locks



EI60 with a metal door frame

☒ Non-standard solution:  
finishing color, kick panel



EI30 with a metal door frame

☒ Non-standard solution:  
finishing color, glazing size



EI60 with a wooden door frame

☒ Non-standard solution: porthole, push panel, fire  
safety ventilation grille, hidden door-closer



EI60 with a metal door frame

☒ Non-standard solution: push panel, kick  
panel, hidden self-closer

## SELECTED PROJECTS



Wrocław, Platinum Lofts



Łódź, Art Centrum Incubator



Kielce, Echo Kielce Gallery

# FIRE RESISTANT DOORS



## QUARTZ

Entrance Doors / p. 32



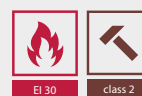
## EI30

Technical Doors / p. 35



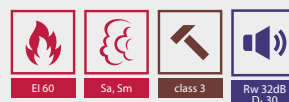
## EI30 Metal

Technical Doors / p. 41



## EI60

Technical Doors / p. 43



## EI60 Metal

Technical Doors / p. 48



**Other doors with  
a mechanical class:**

GRANITE / p. 52

GRANITE PS / p. 55

37dB / p. 74

42dB / p. 79



Technical Approval AT-15-3575/2015 • Certificate of Conformity ITB-0567/W-Hygienic Certificate 20/322/21/2013



**Fire resistance** EI<sub>2</sub>30 according to PN-EN 13501-2:2007  
**Smoke-proofness** Sa and Sm according to PN-EN 13501-2:1007  
**Mechanical Class** 3 according to PN-EN 1192:2001  
**Acoustic Insulation** D<sub>1</sub>30, D<sub>2</sub>30 according to PN-B-02151-3:1999 and Rw 32dB according to PN-87/B-02151/03  
**Burglar-proofness** Class RC<sub>2</sub> according to PN-EN 1627:2012 (only Quartz type III)


## PURPOSE AND SCOPE OF USE

Interior wooden doors DT-K32 version DT-K32al/M are dedicated to use as interior doors in houses, public buildings and apartment buildings. Due to the strength requirements, the doors can be used in conditions corresponding to Class 3 of requirements according to PN-EN 1192:2001, i.e. in heavy use conditions.

**DOOR MARKING:** DT-K32AL/M - single-leaf solid door

## CONSTRUCTION

### A. FINISHING

Veneer: CPL, HPL, PVC foil, Natural Standard, Natural Select; Acrylic Paint.  
 Patterns and colors from the standard and  non-standard collection.

### B. COVERING

Aluminum layer with HDF board or chipboard (leaves in natural veneers).

### C. CONSTRUCTION FRAME

Construction frame made of exotic wood.

### D. FILLING

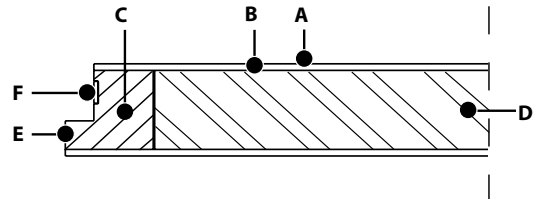
Fireproof insert.

### E. EDGE

With CPL finish, edges of the door are covered with 1 mm thick ABS tape.  
 In other types of finish, the edge tape or natural veneer has the same color as the door leaf.

### F. SEAL

Seal expanding under high temperature.

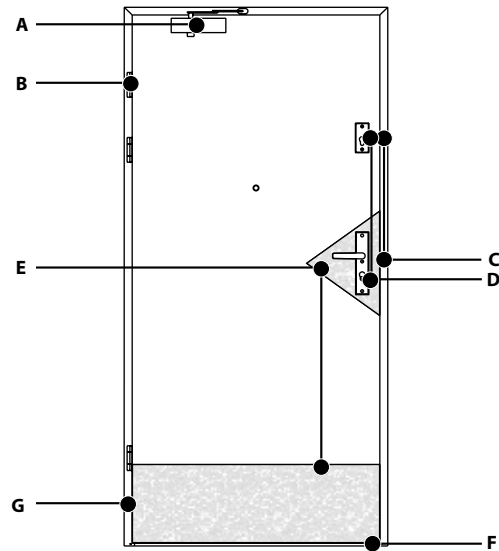


## DIMENSIONAL RANGES WITHIN THE TECHNICAL APPROVAL

	TYPE OF DOORS	LEAF WIDTH $S_s$	LEAF HEIGHT $H_s$
Single-leaf	Solid rebated	844-1144 mm	max. 2250 mm



## ACCESSORIES AND EQUIPMENT



### A. SELF-CLOSER (see accessories page 101)

Doors are prepared for mounting a surface-mounted door self-closer in standard.

Proposed self-closers:

#### Surface mounted:

##### • Arm closers

- Geze TS 4000 (width range from "60" – "110")
- Eco Schulte TS 21 (width range from "60" – "110")
- Dorma TS 83 (width range from "60" – "110")
- Dorma TS 71, TS 73V (width range from "60" – "100")

##### • Rail closers

- Geze TS 5000 (width range from "60" – "110")
- Dorma TS 93 (width range from "60" – "110")
- Geze TS 3000V (width range from "60" – "100")

#### Hidden closers:

Requires non-standard adaptation of the leaf and door frame.

- Eco Schulte ITS Multi Genius
- Dorma ITS 96
- Geze Boxer 2-4

### B. HINGES (see accessories page 100)

- three-part reinforced hinge
- Technical adjustable stainless steel VX7939/100


### C. ELECTRIC STRIKE (see accessories page 102)

Proposed electric strikes:

- fail-secure: Eff Eff 142U (possibility of connecting with the main lock)
  - fail-safe: Eff Eff 342U (connection with an additional mortise spring lock)
- Power supply method according to the manufacturer of electric strikes.

### D. LOCKS (see accessories page 103)

- Main lock - cylinder insert lock Quartz type I.
- Two cylinder insert locks (main, additional upper lock) Quartz type II.
- Four-point lock with two cylinders Quartz type III.
- Additional upper spring lock connected with the fail-save action electric striker (only QUARTZ type I).

**E.  PROTECTIVE PANEL** (see accessories page 101)



Stainless steel panels with a thickness of 0.6 mm for the doors are available.

Recommended panels:

- bottom kick panel with a height of 300 mm
- upper push panel at the height of the handle with a height of 300 mm


**F. BOTTOM SEAL**



Threshold made of stainless steel (included with the door frame).

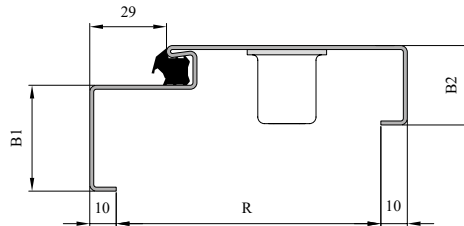
-  Wooden threshold.
-  Automatic threshold seal.

**G. DOOR FRAMES**

**METAL DOOR FRAME**

Made of 1.5 mm thick steel sheet. Powder coated available in colors from Porta's current offer or  any RAL and NCS color. Equipped with reinforcement for a self-closer. Two versions: floor level "0" or "-30" [mm].

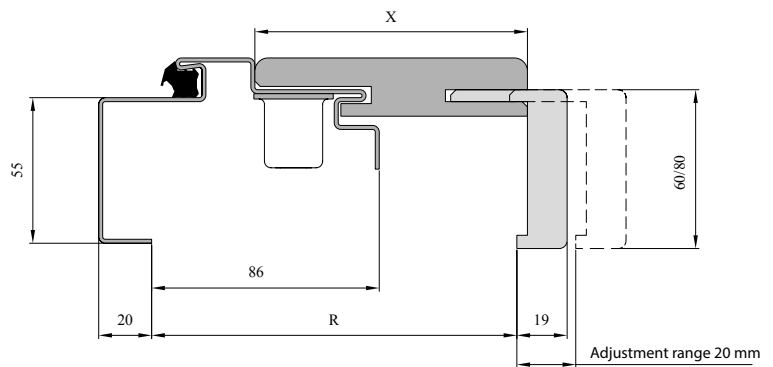
R Range of wall thickness [mm] - standard 100	B1 Height of the front angle-bar [mm] - standard 40	B2 Height of the back angle-bar [mm] - standard 30
80-480	 30-55	 30-75



**PROJECT DOOR FRAME**

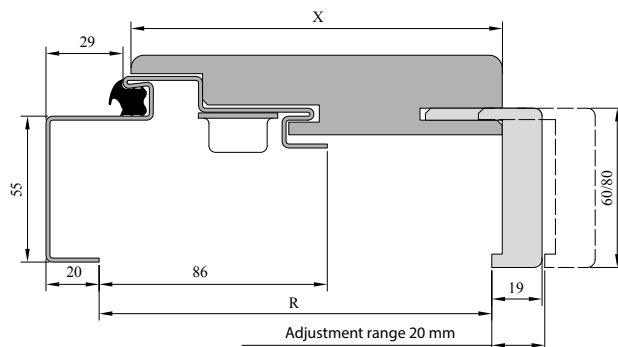
Metal door frame with the PROJECT overlay veneered in leaf color.

R Range of wall thickness [mm]	Type of door frame	X Overlay QUARTZ [mm]
138-158	B	103
163-183	C	128
183-203	D	148
203-223	E	168
223-243	F	188
243-263	G	208
263-283	H	228
283-303	I	248
303-323	J	268
323-343	K	288




** MODIFIED PROJECT DOOR FRAME**

R Range of wall thickness [mm]	Type of door frame	X Overlay OPAL [mm]
138-158	B	130
163-183	C	155
183-203	D	175
203-223	E	195
223-243	F	215
243-263	G	235
263-283	H	255
283-303	I	275
303-323	J	295
323-343	K	315



ATTENTION:  
Door leaf (Contract), extended sizes, Ss (+20 mm), Hs (+10 mm).

-  Possibility of using other solutions and accessories than those listed above (e.g. electromagnetic lock, electromagnetic holders from page 102), after consultation with the Contract Department.

Technical Approval AT-15-3575/2015, AT-15-6103/2013 • Certificate of Conformity ITB-0567/W • Hygienic Certificate 20/322/21/2013



**Fire resistance** EI<sub>2</sub>30 according to PN-EN 13501-2:2007  
**Smoke-proofness** Sa and Sm according to PN-EN 13501-2:1007  
**Mechanical Class** 3 according to PN-EN 1192:2001  
**Acoustic Insulation** D<sub>1</sub>30, D<sub>2</sub>30 according to PN-B-02151-3:1999 and Rw 32dB according to PN-87/B-02151/03


## PURPOSE AND SCOPE OF USE

Fire resistant wooden doors type DT-PP-DY are intended for use as interior entrance doors, and doors type DT-OP-DY, DT-PP-2S, DT-OP-2S as interior doors in houses, public buildings and apartment buildings. Due to the strength requirements, the doors can be used in conditions corresponding to Class 3 of requirements according to PN-EN 1192:2001, i.e. in heavy use conditions.

**DOOR MARKING:** DT-OP-DY single-leaf glazed door  
 DT-OP-2S double-leaf glazed door  
 DT-PP-DY single-leaf solid door  
 DT-PP-2S double-leaf solid door

## CONSTRUCTION

### A. FINISHING

Veneer: CPL, HPL, PVC Veneer, Natural Standard, Natural Select; acrylic paint and other Porta veneers.  
 Patterns and colors from the standard and  non-standard collection.

### B. COVERING

HDF board or chipboard (leaves in natural veneers).

### C. CONSTRUCTION FRAME

Construction frame made of exotic plywood.

### D. FILLING

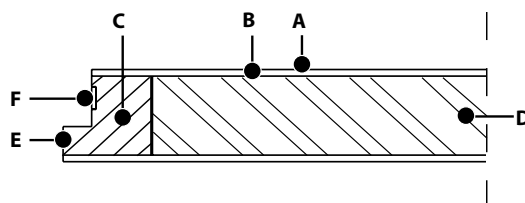
Fireproof insert.

### E. EDGE

With CPL finish, edges of the door are covered with 1 mm thick ABS tape. In other types of finish, the edge tape or natural veneer has the same color as the door leaf.

### F. SEAL

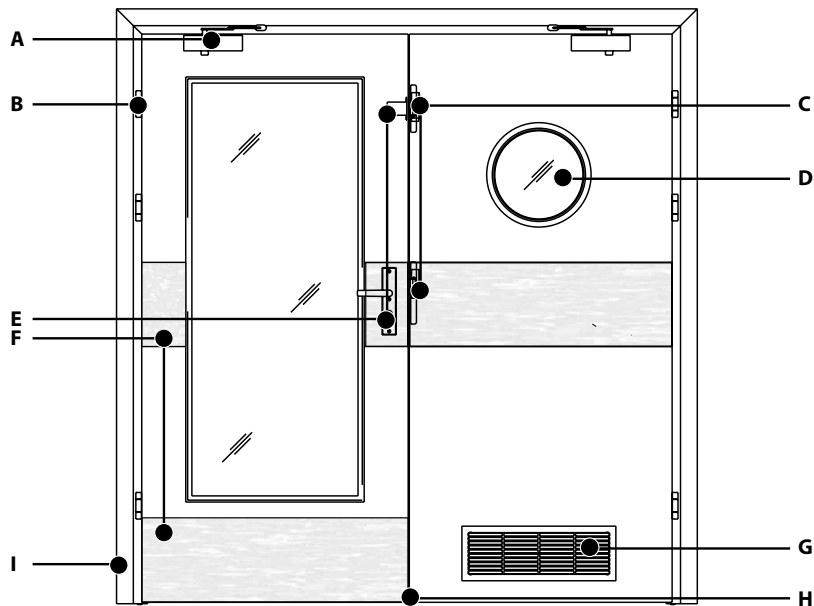
Seal expanding under high temperature.



## DIMENSIONAL RANGES WITHIN THE TECHNICAL APPROVAL

TYPE OF DOORS	SINGLE LEAF WIDTH S <sub>s</sub>	LEAF HEIGHT H <sub>s</sub>
Single-leaf solid and glazed doors	max 1226 mm	max 2500 mm
Double-leaf solid and glazed doors	max 1226 mm	

## ACCESSORIES AND EQUIPMENT



### A. SELF-CLOSER (see accessories page 101)

Doors are prepared for mounting a surface-mounted door closer in standard.

Proposed self-closers:

**Surface mounted:**

• **Arm closers**

- Geze TS 4000 (width range from "60" – "110")
- Eco Schulte TS 21 (width range from "60" – "110")
- Dorma TS 83 (width range from "60" – "110")
- Dorma TS 71, TS 73V (width range from "60" – "100")

• **Rail closers**

- Geze TS 5000 (width range from "60" – "110")
- Dorma TS 93 (width range from "60" – "110")
- Geze TS 3000V (width range from "60" – "100")

**Hidden closers:**

Requires non-standard adaptation of the leaf and door frame.

- Eco Schulte ITS Multi Genius
- Dorma ITS 96
- Geze Boxer 2-4

### B. HINGES (see accessories page 100)

• **Rebated doors:**

- Reinforced three-part nickel color hinge or  adjustable technical VX7939/100 stainless steel hinge for metal door frames
- technical adjustable VX7939/100 stainless steel hinge, commercial duty Exacta hinge for MDF door frames

• **Non-rebated doors:**

- technical adjustable stainless steel VX7729/100
- concealed Tectus hinges

### C. **ELECTRIC STRIKE** (see accessories page 102)

Proposed electric strikes:

- fail-secure: Eff Eff 142U (possibility of connecting with the main lock)
- fail-safe: Eff Eff 342U (connection with an additional mortise spring lock)

Power supply method according to the manufacturer of electric strikes.

## D. GLAZING

Maximum size of glazing depends on the minimum distance of the glass from the side and top edge of 160 mm and 365 mm from the bottom edge of the door:

- In single-leaf doors 824 x 1675 mm
- In double-leaf doors 724 x 1675 mm

Glazing designs in accordance with the current Porta offer or  according to customer requirements.

Types of glass: transparent or matt.

MDF glazing frames.

Porthole made of solid wood, painted or veneered MDF. Dimensions to be arranged, proposed size - internal diameter of 315 mm.

## E. LOCKS (see accessories page 103)

**Main lock** - cylinder insert lock.

**Additional upper** cylinder insert lock.

**Panic lock.**

Proposed locks:

- in single-leaf doors, mortise lock GBS 92 72/65 with function B
  - in double-leaf doors: in the active leaf, mortise lock GBS 94 72/65 with function B, in the passive leaf - lock GBS 93
- Panic fittings available in handle – handle or handle – panic bar configurations.

**Additional mortise** spring lock connected with the fail-safe electric strike.

**Hotel lock.**

The possibility of preparing leaves and frames for mounting series of electronic locks listed in AT or having the appropriate certificates.

### PROPOSED HOTEL LOCKS

Ving Card Euro
Kaba 760, 790, 770
Tayama IT 5600
Inhova 2UB4A
Miwa ALSH
LOB 8002, 8005, 8006, 8008
Onity HT24 LOB
Hartmann Tresore HDL MF 20

## F. PROTECTIVE PANEL (see accessories page 101)

Stainless steel panels with a thickness of 0.6 mm for the doors are available.

Recommended panels:

- Bottom kick panel with a height of 300 mm
- Upper push panel at the height of the handle with a height of 300 mm

## G. VENTILATION GRILLE (see accessories page 101)

- Maximum dimensions of the ventilation grille 600 x 600 mm made by Lorient.

Proposed ventilation grille:

- Dimensions of the swelling filling 150 x 500 mm with a masking strip powder coated in silver, made by Lorient

The grille meets the requirements for the ventilation area not less than 220 cm<sup>2</sup>.

The grille may be ordered in any RAL and NCS color.


ATTENTION! Doors with a ventilation grille do not have a smoke control and soundproof certificate.



## H. BOTTOM SEAL

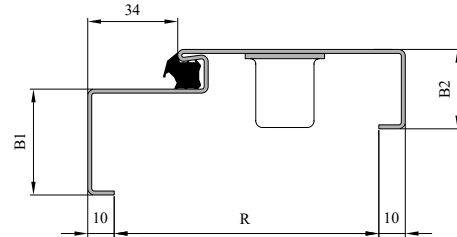
- Automatic threshold seal
- Stainless steel threshold
- Wooden threshold

## I. DOOR FRAMES

### ANGLE-BAR METAL DOOR FRAME

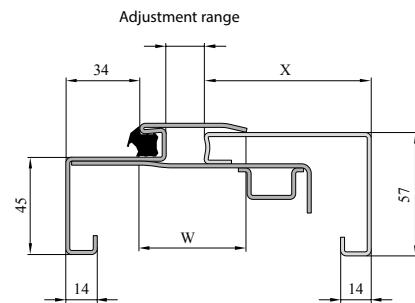
Made of 1.5 mm thick steel sheet. Powder coated, available in colors included in Porta's current offer or  any RAL and NCS color. Equipped with reinforcement for a self-closer. Two versions: floor level "0" or "-30" [mm].

	B1 Height of the front angle-bar [mm] - standard 40	B2 Height of the back angle-bar[mm] - standard 30
80-480	 30-55	 30-75



### ADJUSTABLE METAL DOOR FRAME

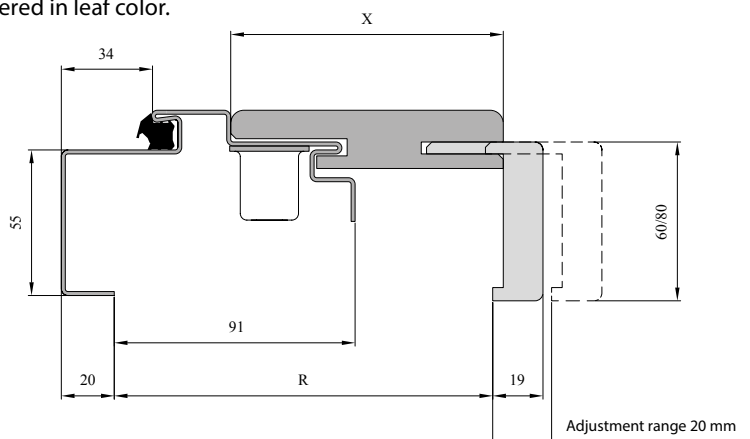
R Range of wall thickness [mm]	Type of door frame	X Adjustable closing profile [mm]	W Affixed front profile [mm]
95-120	A	82	50
121-145	B	105	60
146-170	C	130	
171-195	D	155	70
196-220	E	180	
221-245	F	205	80
246-270	G	230	
271-295	H	255	90



### PROJECT DOOR FRAME

Metal door frame with the PROJECT overlay veneered in leaf color.

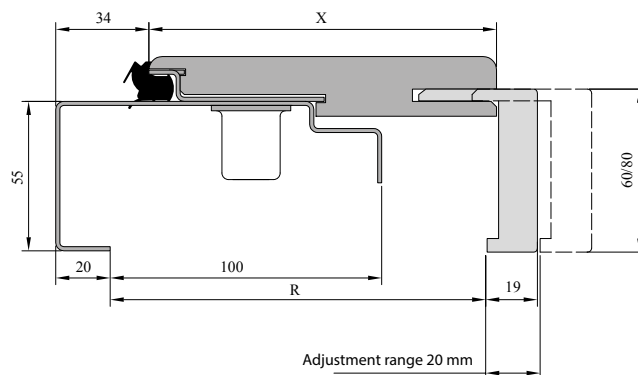
R Range of wall thickness [mm]	Type of door frame	X Dimension [mm] Overlay EI30
143-163	B	103
168-188	C	128
188-208	D	148
208-228	E	168
228-248	F	188
248-268	G	208
268-288	H	228
288-308	I	248
308-328	J	268
328-348	K	288



### PROJECT PREMIUM DOOR FRAME

R Range of wall thickness [mm]	Type of door frame	X Dimension [mm] Overlay EI30
138-158	B	128
158-178	C	148
178-198	D	168
198-218	E	188
218-238	F	208
238-258	G	228
258-278	H	248
278-298	I	268
298-318	J	288
318-338	K	308

ATTENTION! Metal profile only in standard offer.



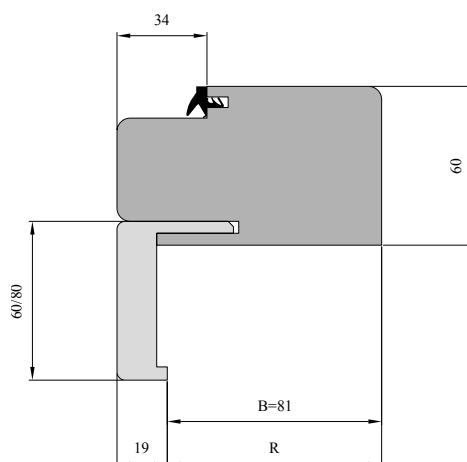
### MDF EI30 DOOR FRAMES

Architraves and quarter rounds are available for the door frames.  Door frames are also available in a plywood version. Presented frame dimensions do not include the thickness of the veneer.

- Fixed door frame 100 mm, made of MDF, veneered in leaf color.

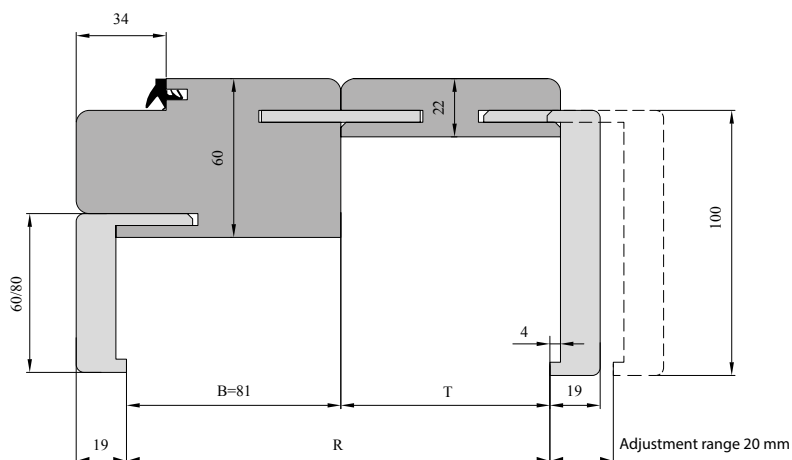
Range of wall thickness [mm]	Type of door frame	B EI30 beam [mm]
81	100	81


Available other size ranges for R beams.



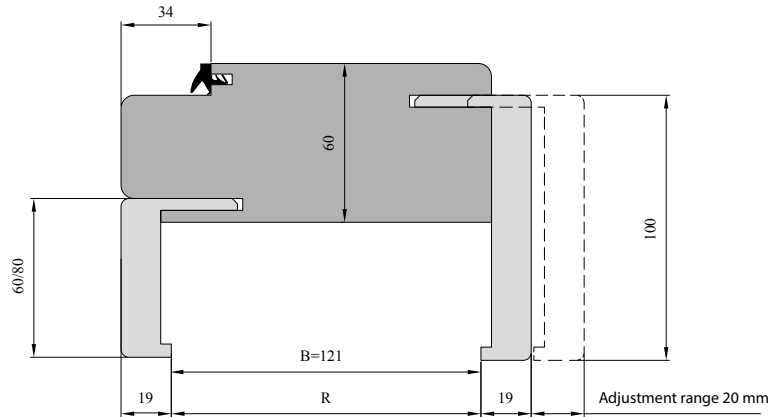
- Adjustable door frame 137 – 385 mm (with PS tunnel).


R Range of wall thickness [mm]	T Type of door frame [mm]	R = (B + T) [mm]
137-157	<input checked="" type="checkbox"/> A137	81 + (60 - 4)
160-180	A	81 + (83 - 4)
180-200	B	81 + (103 - 4)
205-225	C	81 + (128 - 4)
225-245	D	81 + (148 - 4)
245-265	E	81 + (168 - 4)
265-285	F	81 + (188 - 4)
285-305	G	81 + (208 - 4)
305-325	H	81 + (228 - 4)
325-345	I	81 + (248 - 4)
345-365	J	81 + (268 - 4)
365-385	K	81 + (288 - 4)



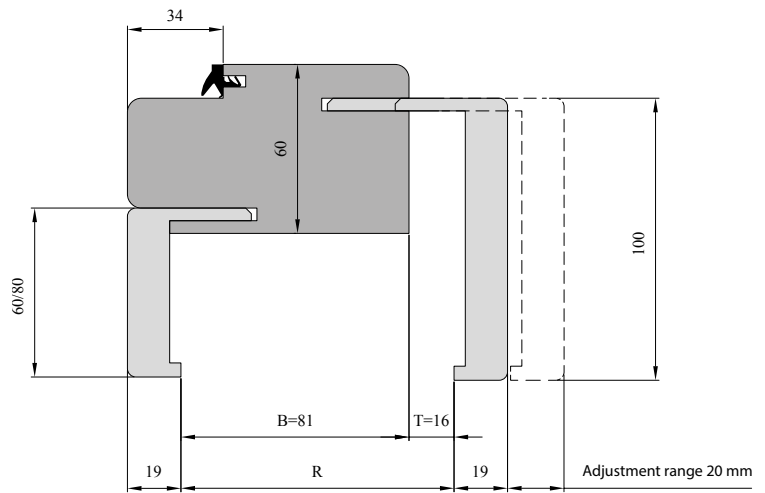
-  Adjustable door frame 117 – 137 mm (with adjustment architrave).


R Range of wall thickness [mm]	Type of door frame	R = (B - 4) [mm]
117-137	A 117	(121 - 4)



-  Adjustable door frame 97 – 117 mm (with expanded adjustment architrave).

R Range of wall thickness [mm]	Type of door frame	R = (B + T) [mm]
97-117	A 97	81 + 16



-  Possibility of using other solutions and accessories than those listed above (e.g. electromagnetic lock, electromagnetic holders, semi-automatic edge bolt from page 102), after consultation with the Contract Department.



Technical Approval AT-15-7236/2016 • Certificate of Conformity ITB-2285/W • Hygienic Certificate 9/779/10/2009



Fire resistance EI30 according to PN-EN 13501-2:2005  
 Mechanical Class 2 according to PN-EN 1192:2001

## PURPOSE AND SCOPE OF USE

Steel fire resistant doors DS/P-PP30 and DS/O-PP30 are designed for use in industrial, general purpose and residential buildings as interior or exterior doors. Due to strength requirements, the doors can be used in conditions corresponding to Class 2 of requirements according to PN-EN 1192:2001, i.e. in medium use conditions. Due to the requirements for corrosion resistance, the doors can be used in Class C3 corrosion aggressiveness environments according to PN-EN ISO 12944-2:2001.

**DOOR DESIGNATION:** DS/P-PP30 - Solid steel fire resistant door  
 DS/O-PP30 - Glazed steel fire resistant door

## CONSTRUCTION

### A. FINISHING

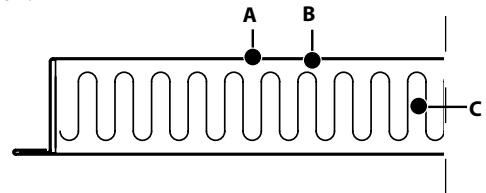
Polyester powder paint.  
 Patterns and colors from the standard and non-standard collection.

### B. COVERING

Galvanized steel sheet 0,8 mm.

### C. FILLING

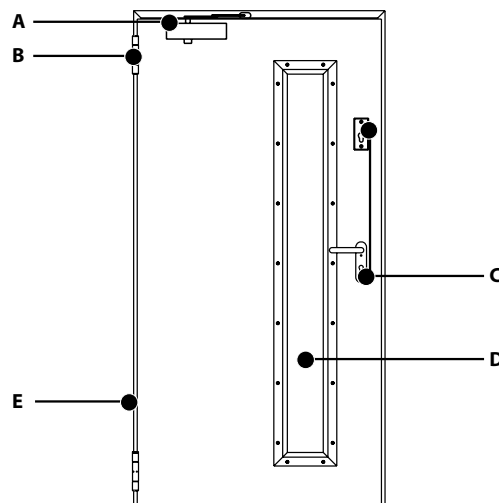
Fireproof mineral wool.



## DIMENSIONAL RANGES WITHIN THE TECHNICAL APPROVAL

	TYPE OF DOORS	LEAF WIDTH $S_s$	LEAF HEIGHT $H_s$
Single-leaf doors	Rebated solid and glazed doors	570-1080 mm	max 2090 mm

## ACCESSORIES AND EQUIPMENT



**A. SELF-CLOSER** (see accessories page 101)

Doors are prepared for mounting a surface-mounted door closer in standard.  
Proposed surface self-closers:

- **Arm closers**
  - Geze TS 4000 (width range from "60" – "110")
  - Eco Schulte TS 21 (width range from "60" – "110")
  - Dorma TS 83 (width range from "60" – "110")
- **Rail closers**
  - Geze TS 5000 (width range from "60" – "110")
  - Dorma TS 93 (width range from "60" – "110")
  - Geze TS 3000V (width range from "60" – "100")

**B. HINGES**

Pin hinges, including one spring hinge.

**C. LOCKS** (see accessories page 103)

Main lock - cylinder insert lock.

Additional upper cylinder insert lock.

Panic lock.

Proposed locks:

- in single-leaf doors, mortise lock GBS 92 72/65 with function B
- Panic fittings available in handle – handle or handle – panic bar configurations.

**D. GLAZING**

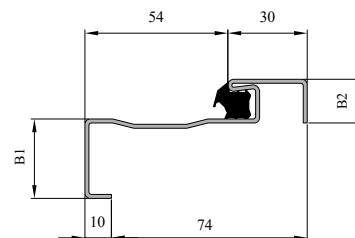
- Fire-resistant transparent glass with thickness of 15 – 17 mm
- Glass patterns according to Porta's current offer

**E. DOOR FRAMES**

Made of 1.5 mm thick steel sheet. Powder coated available in colors from Porta's current offer or  any RAL and NCS color.  
Two versions: floor level "0" or "-30" [mm].

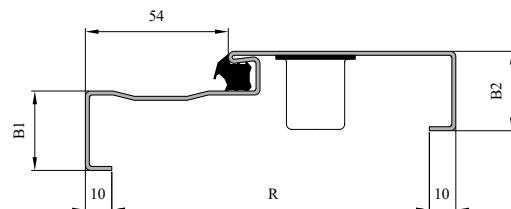
**Standard angle-bar profile**

B1 Height of the front angle-bar [mm] - standard 30	B2 Height of the back angle-bar [mm]
<input checked="" type="checkbox"/> 30-55	16,5



**Non-standard angle-bar profile**

R Range of wall thickness [mm]	B1 Height of the front angle-bar [mm] - standard 30	B2 Height of the back angle-bar [mm] - standard 30
120-480	30-55	30-75



Possibility of using other solutions and accessories than those listed above (e.g. electromagnetic lock, electromagnetic holders from page 102), after consultation with the Contract Department.

Technical Approval AT-15-6054/2016 • Certificate of Conformity ITB-1762/W • Hygienic Certificate 22/779/26/2009



**Fire resistance:** EI<sub>2</sub>60 according to PN-EN 13501-2+A1:2010  
**Smoke-proofness:** Sa and Sm according to PN-EN 13501-2+A1:2010  
**Acoustic Insulation:** single leaf door – D<sub>1</sub>30, D<sub>2</sub>25 according to PN-B-02151-3:1999 and Rw 32 dB according to PN-87/B-02151/03, double leaf doors – D<sub>1</sub>25, D<sub>2</sub>25 according to PN-B-02151 3:1999 and Rw 32 dB according to PN-87/B-02151/03  
**Mechanical class:** 3 according to PN-EN 1192:2001


## PURPOSE AND SCOPE OF USE

EI60 Halspan Porta doors are intended for use as an interior entrance doors in houses, public buildings and apartment buildings. Due to the strength requirements, the doors can be used in conditions corresponding to Class 3 of requirements according to PN-EN 1192:2001, i.e. in heavy use conditions.

### DOOR MARKING: HALSPAN EI60

## CONSTRUCTION

### A. FINISHING

Veneer: CPL, HPL, PVC Veneer, Natural Standard, Natural Select; Acrylic Paint.  
 Patterns and colors from the standard and  non-standard collection.

### B. COVERING

HDF board or chipboard  
 (doors in natural veneers).

### C. CONSTRUCTION FRAME

Construction frame made of plywood.

### D. FILLING

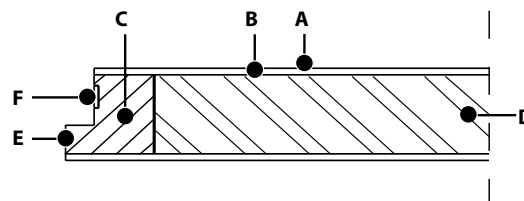
Fireproof insert.

### E. EDGE

With CPL finish, edges of the door are covered with 1 mm thick ABS tape.  
 In other types of finish, the edge tape or natural veneer has the same color as the door leaf.

### F. SEAL

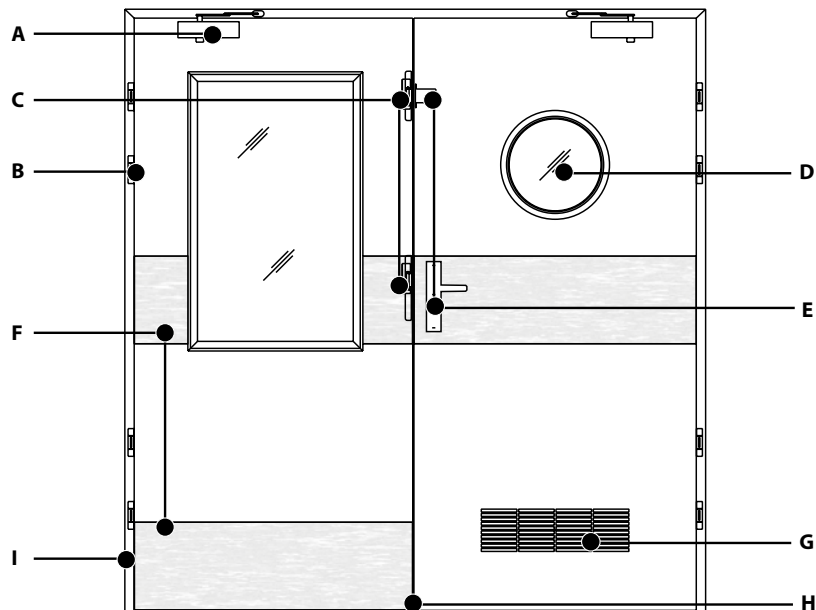
Seal expanding under high temperature.



## DIMENSIONAL RANGES WITHIN THE TECHNICAL APPROVAL

TYPE OF DOOR	SINGLE LEAF WIDTH S <sub>s</sub>	LEAF HEIGHT H <sub>s</sub>
Single-leaf solid and glazed doors	max 1226 mm	max 2500 mm
Double-leaf solid doors	max 1226 mm	max 2500 mm
Double-leaf glazed doors	max 1226 mm	max 2313 mm

## ACCESSORIES AND EQUIPMENT



### A. SELF-CLOSER (see accessories page 101)

Doors are prepared for mounting a surface-mounted door closer in standard.

Proposed self-closers:

**Surface mounted:**

• **Arm closers**

- Geze TS 4000 (width range from "60" – "110")
- Eco Schulte TS 21 (width range from "60" – "110")
- Dorma TS 83 (width range from "60" – "110")
- Dorma TS 71, TS 73V (width range from "60" – "100")

• **Rail closers**

- Geze TS 5000 (width range from "60" – "110")
- Dorma TS 93 (width range from "60" – "110")
- Geze TS 3000V (width range from "60" – "100")


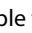
**Hidden closers:**

Requires non-standard adaptation of the leaf and door frame.



- Eco Schulte ITS Multi Genius
- Dorma ITS 96
- Geze Boxer 2-4

### B. HINGES (see accessories page 100)

• **Rebated doors:**

- Reinforced three-part nickel color hinge or  adjustable technical VX7939/100 stainless steel hinge for metal door frames
- adjustable technical Exacta or  adjustable technical VX7939/100 stainless steel for wooden door frames

• **Non-rebated doors:**

-  Adjustable technical stainless steel VX7729/100
-  concealed Tectus hinges

### C. ELECTRIC STRIKE (see accessories page 102)

Proposed electric strikes:

**For single and double leaf doors:**

- fail-secure: Eff Eff 142U (possibility of connecting with the main lock)
- fail-safe: Eff Eff 342U (connection with an additional mortise spring lock), Power supply method according to the manufacturer of electric strikes

## D. GLAZING

- Maximum glazing dimensions of 671 x 1171 depend on the minimum distance of the glass from the side edges of the leaf, top 200 mm and bottom 905 mm.
- Glazing designs in accordance with the current Porta offer or  customer requirements.
- Types of glass: transparent or matt.
- MDF glazing frames.
- Porthole made of solid wood, painted or veneered MDF. Dimensions to be arranged, proposed size - internal diameter of 315 mm.

## E. LOCKS (see accessories page 103)

**Main lock** - cylinder insert lock.

**Additional upper cylinder insert lock.**

**Panic lock.**

Proposed locks:

- in single-leaf doors, mortise lock GBS 92 72/65 with function B
  - in double-leaf doors: in the active leaf, mortise lock GBS 94 72/65 with function B, in the passive leaf - lock GBS 93
- Panic fittings available in handle - handle or handle - panic bar configurations.

**Additional mortise spring lock** connected with the fail-safe electric strike.

**Hotel lock.**

Possibility of preparing leaves and frames for mounting series of electronic locks listed in the TA.

### PROPOSED HOTEL LOCKS

#### TECHNICAL APPROVAL

Ving Card Euro

Kaba 760, 770, 790

LOB 8005, 8007

LOB 8002, 8005

Inhova 2UB4A

## F. PROTECTIVE PANEL (see accessories page 101)

Stainless steel panels with a thickness of 0.6 mm for the doors are available.

Recommended panels:

- bottom kick panel with a height of 300 mm
- upper push panel at the height of the handle with a height of 300 mm

## G. VENTILATION GRILLE (see accessories page 101)

Proposed ventilation grille:

Dimensions of the swelling filling 150 x 500 mm with a masking strip powder coated in silver, made by Lorient. The grille meets the requirements for the ventilation area not less than 220 cm<sup>2</sup>.

The grille may be ordered in any RAL and NCS color.

ATTENTION! Doors with a ventilation grille do not have a smoke control and soundproof certificate.



## H. BOTTOM SEAL

- Automatic threshold seal
- Stainless steel threshold
- Wooden threshold

## I. DOOR FRAMES

### METAL DOOR FRAME

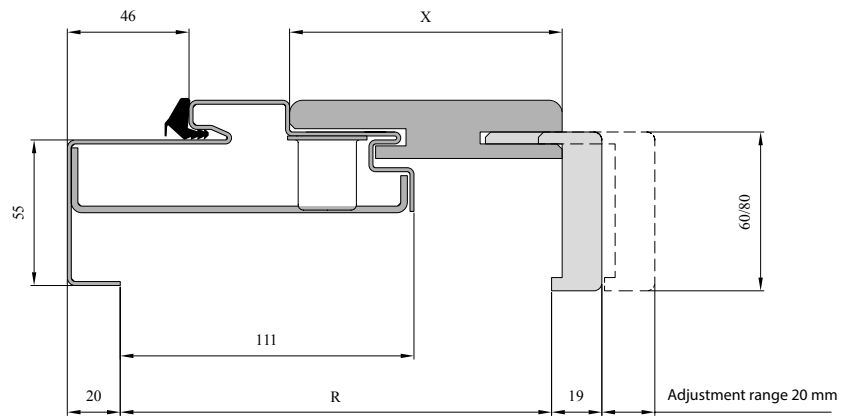
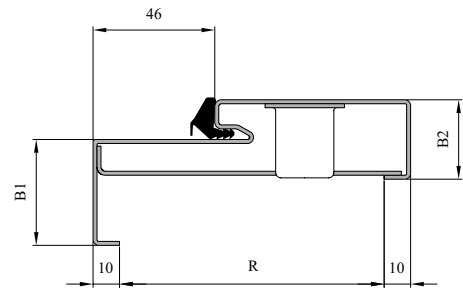
Made of 1.5 mm thick steel sheet. Powder coated, available in colors included in Porta's current offer or  any RAL and NCS color. Equipped with reinforcement for a self-closer. Two versions: Floor level "0" or "30" [mm].

R Range of wall thickness [mm] -standard 100	B1 Height of the front angle-bar [mm] standard 40	B2 Height of the back angle-bar [mm] standard 30
80-480	 30-55	 30-75

### PROJECT DOOR FRAME

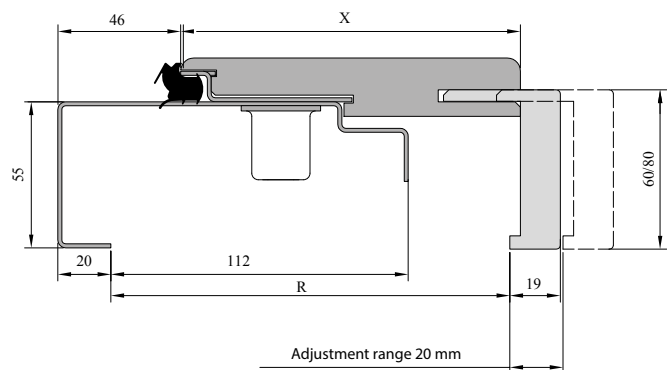
Metal door frame with the PROJECT overlay veneered in leaf color.

R Range of wall thickness [mm]	Type of door frame	X Overlay EI60 [mm]
163-183	B	103
188-208	C	128
203-223	D	148
228-248	E	168
248-268	F	188
268-288	G	208
288-308	H	228
308-328	I	248
328-348	J	268
348-368	K	288



### PROJECT PREMIUM DOOR FRAME

R Range of wall thickness [mm]	Type of door frame	X Size [mm] Overlay EI60
150-170	B	128
170-190	C	148
190-210	D	168
210-230	E	188
230-250	F	208
250-270	G	228
270-290	H	248
290-310	I	268
310-330	J	288
330-350	K	308



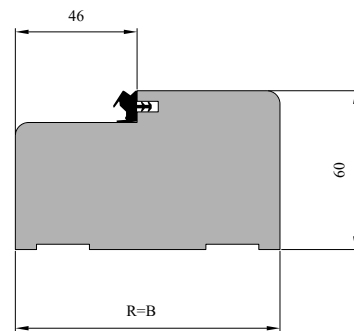
ATTENTION! Metal profile only in standard offer.

**WOODEN DOOR FRAME 100 MM**

Architraves and quarter rounds are available for the door frames.  
Presented frame dimensions do not include the thickness of the veneer.

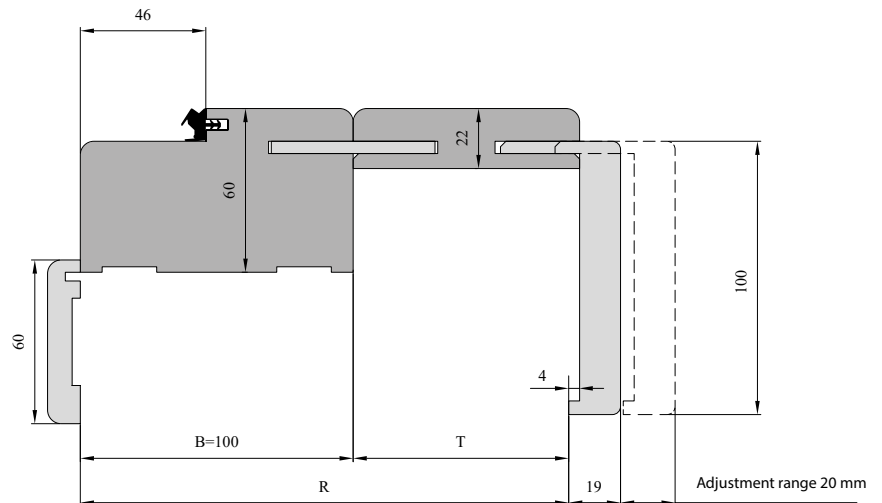
- Fixed door frame 100 mm, made of glulam, veneered in leaf color.

R Range of wall thickness [mm]	Type of door frame	B Beam EI60 [mm]
100	100	100



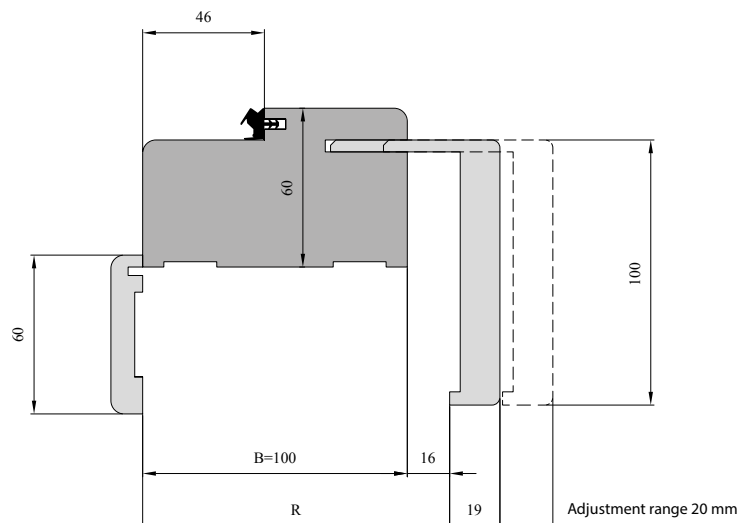
- **K** Adjustable door frame 156 – 404 mm (with PS tunnel).

R Range of wall thickness [mm]	Type of door frame [mm]	R = (B+T) [mm]
156-176	A60	100 + (60 - 4)
179-199	A	100 + (83 - 4)
199-219	B	100 + (103 - 4)
224-244	C	100 + (128 - 4)
244-264	D	100 + (148 - 4)
264-284	E	100 + (168 - 4)
284-304	F	100 + (188 - 4)
304-324	G	100 + (208 - 4)
324-344	H	100 + (228 - 4)
344-364	I	100 + (248 - 4)
364-384	J	100 + (268 - 4)
384-404	K	100 + (288 - 4)



- **K** Adjustable door frame 116 – 136 mm (with expanded adjustment panel).

R Range of wall thickness [mm]	Type of door frame	R = (B+T) [mm]
116-136	A116	100 + 16



**K** Possibility of using other solutions and accessories than those listed above (e.g. electromagnetic lock, electromagnetic holders, semi-automatic edge bolt from page 102), after consultation with the Contract Department.

Technical Approval AT-15-7236/2016



Fire resistance EI<sub>60</sub> according to PN-EN 13501-2+A1:2010

## PURPOSE AND SCOPE OF USE

Solid DS/P-PP60 and glazed DS/O-PP60 0 steel doors are intended for use as closures of openings in walls constituting fire divisions in residential single and multi-family buildings, public buildings and industrial buildings. Doors can be used inside the building, installed in concrete, reinforced concrete, masonry or plasterboard walls with fire resistance class at least EI 60.

**DOOR MARKING:** DS/P-PP60 - Solid steel fire resistant door,  
DS/O-PP60 - Glazed steel fire resistant door

## CONSTRUCTION

### A. FINISHING

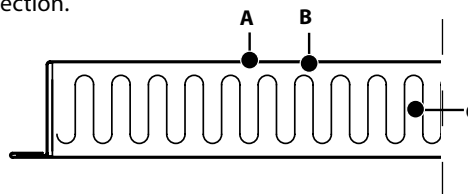
Polyester powder paint.  
Patterns and colors from the standard and  non-standard collection.

### B. COVERING

Galvanized steel sheet 0,8 mm.

### C. FILLING

Fireproof mineral wool.

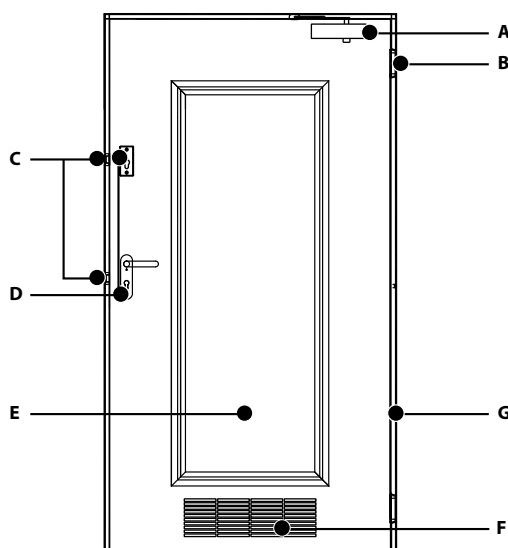


## DIMENSIONAL RANGES UNDER AN INDIVIDUAL USE APPROVAL

	TYPE OF DOOR	LEAF WIDTH $S_s$	LEAF HEIGHT $H_s$
Single-leaf doors	Double-leaf solid and glazed doors	558-1116 mm	max 2200 mm

\* Version available under the Individual Use Approval (IUA) with confirmation of fire resistance class EI 60.

## ACCESSORIES AND EQUIPMENT





### A. SELF-CLOSER

Doors are prepared for mounting a surface-mounted door closer in standard. Offered door closers:

- Geze TS200V, TS4000
- Eco Schulte TS20, TS50
- Dorma TS71, TS73V

### B. HINGES

Pin hinges, including one spring hinge.

### C. ELECTRIC STRIKES

Proposed electric strikes:

- fail-secure: Eff Eff 142, 143 on the main lock
- fail-safe: Eff Eff 342U, 343 cooperating with additional top mortise spring lock.

Power supply method according to the manufacturer of electric strikers.

### D. LOCKS

**Main lock** - cylinder insert lock.

**Additional upper cylinder insert lock**

**Additional upper spring lock connected with the fail-save action electric striker**

**Panic lock.**

Proposed locks:

- in single-leaf doors, mortise lock GBS 92 72/65 with function B

Panic fittings available in handle - handle or handle - panic bar configurations.

### E. GLAZING

- Glazing designs in accordance with the current Porta offer or  according to customer requirements.
- Maximum glazing area of 0,25 m<sup>2</sup> with regard to the minimum distance of 310 mm from the edge of the leaf.

### F. VENTILATION GRILLE (see accessories page 101)

Proposed ventilation grille:

Dimensions of the swelling filling 150 x 500 mm with a masking strip powder coated in silver, made by Lorient. The grille meets the requirements for the ventilation area not less than 220 cm<sup>2</sup>.

The grille may be ordered in any RAL and NCS color.

ATTENTION! Doors with a ventilation grille do not have a smoke control and soundproof certificate.

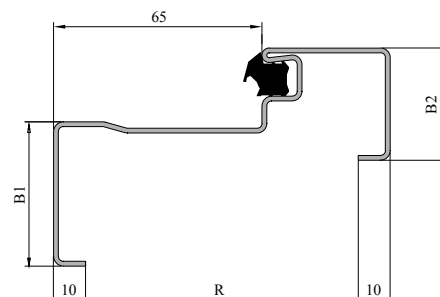
### G. FRAMES

Made of 1,5 mm thick steel sheet. Powder coated available in colors from Porta's current offer or  any RAL and NCS color.

Two versions: floor level "0" or "-30" [mm].

#### Standard angular profile

R Range of wall thickness [mm]	B1 Height of the front angle-bar [mm] - standard 45	B2 Height of the back angle-bar [mm] - standard 35
85-480	45-55	35-75



- Possibility of using other solutions and accessories than those listed above (e.g. electromagnetic lock, electromagnetic holders from page 102), after consultation with the Contract Department.

## EXAMPLES OF SOLUTIONS



**AGATE with a metal door frame**

❑ Non-standard solution:  
Finishing type and color



**Granite type II with a metal frame**



**Granite type I with a Project frame**

❑ Non-standard solution:  
Horizontal wood grain in natural veneer,  
Top and side wall panel



**GRANITE PS type II with the Porta SYSTEM door frame**

❑ Non-standard solution:  
Finishing type and color, top wall panel, hidden self-closer



**OPAL with a metal door frame**

❑ Non-standard solution:  
Height, finishing color, kick-panel



**Granite PS type II with Porta SYSTEM door frame**

❑ Non-standard solution:  
Hidden self-closer



**AGATE with the Porta SYSTEM door frame**

Standard version:  
Marquetries

## SELECTED PROJECTS



Poland, Gdańsk, Kwartał Kamienic Inpro



Poland, Gdynia, Invest Komfort



Poland, Gdynia, Sea Towers

# ANTI-THEFT DOORS



## GRANITE

Entrance Doors / p. 52



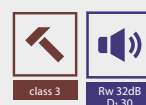
## GRANITE PS

Entrance Doors / p. 55



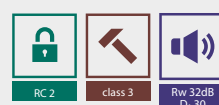
## AGATE

Entrance Doors / p. 58



## OPAL

Entrance Doors / p. 61



Technical Approval AT-15-6043/2011 • Certificate of Conformity ITB- 1199/W • Hygienic Certificate 20/322/21/2013



**Burglar-proofness** Class C according to PN-90/B-92270 and Class 3 according to PN-ENV 1627:2006  
**Mechanical Class 4** according to PN-EN 1192:2001  
**Fire resistance** Class EI<sub>2</sub>30 according to PN EN13501-2: 2005 (only Granite Type II)  
**Smoke-proofness:** Sa and Sm according to PN-EN 13501-2: 2005  
**Acoustic Insulation** Rw 32dB according to PN-87/B-02151/03 and D<sub>1</sub>30, D<sub>2</sub>30 according to PN-B-02151-3:1999

## PURPOSE AND SCOPE OF USE

Interior wooden doors type DT-PW/II with clear opening size at least 900 x 2000 mm are designed for use in the construction industry as interior entrance doors between the staircase and spaces. Due to the strength requirements, these doors can be used in conditions corresponding to Class 4 of requirements according to PN-EN 1192:2001, i.e. in very heavy use conditions.

**DOOR MARKING: DT-PW/II TYPE I** - Solid single-leaf door Granite Type I  
**DT-PW/II TYPE II** - Solid single-leaf door Granite Type II

## CONSTRUCTION

### A. FINISHING

Veneer: CPL, HPL, PVC Veneer, Natural Standard, Natural Select; Acrylic paint.  
 Patterns and colors from the standard and non-standard collection.

### B. COVERING

Aluminum layer with HDF board or chipboard (doors in natural veneers).

### C. FILLING

Solid chipboard reinforced with an internal plywood muntin and steel rods.

### D. CONSTRUCTION FRAME

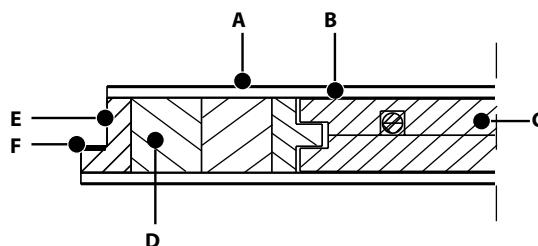
Construction frame made of laminated softwood.

### E. EDGE

With CPL finish, both vertical edges of the door are covered with 1 mm thick ABS tape. In other types of finish, the edge tape or natural veneer has the same color as the door leaf.

### F. SEAL

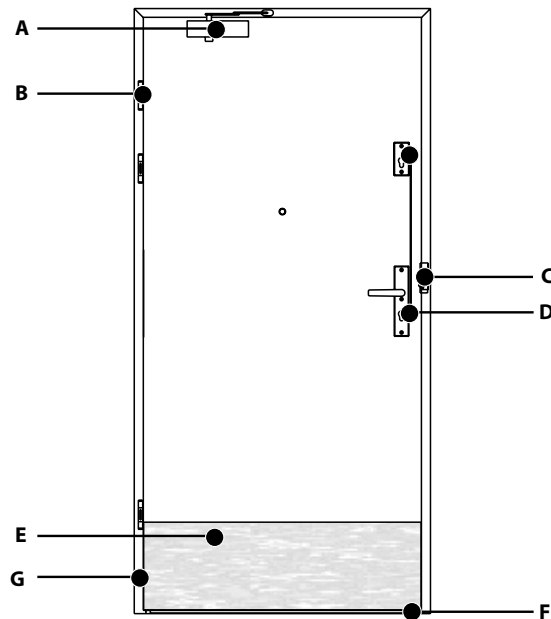
Seal expanding under high temperature (Granite type II).



## DIMENSIONAL RANGES WITHIN THE TECHNICAL APPROVAL

	TYPE OF DOOR	LEAF WIDTH $S_s$	LEAF HEIGHT $H_s$
Single-leaf doors	Solid rebated	844 – 1044 mm	max 2200 mm

## ACCESSORIES AND EQUIPMENT



### A. SELF-CLOSER (see accessories page 101)

Doors are prepared for mounting a surface-mounted door closer in standard.

Proposed self-closers:

#### Surface mounted:

- **Arm closers**
  - Geze TS 4000
  - Eco Schulte TS 41
  - Dorma TS 83
- **Rail closers**
  - Geze TS 5000
  - Dorma TS 93
  - Geze TS 3000V

#### **Hidden closers:**

Requires non-standard adaptation of the leaf and door frame.

- Eco Schulte ITS Multi Genius
- Dorma ITS 96
- Geze Boxer 2-4

### B. HINGES (see accessories page 100)

- three-part reinforced hinge
- Adjustable technical stainless steel VX7939/100

### C. ELECTRIC STRIKE (see accessories page 102)

Proposed electric strikes:

- fail-secure: Eff Eff 142U (possibility of connecting with the main lock)

Power supply method according to the manufacturer of electric strikes.

### D. LOCKS (see accessories page 103)

- **Multipoint mortise lock with two cylinders.**



**E.  PROTECTIVE PANEL** (see accessories page 101)

Stainless steel panels with a thickness of 0.6 mm for the doors are available.

Recommended panels:


- bottom kick panel with a height of 300 mm
- upper push panel at the height of the handle with a height of 300 mm



**F. BOTTOM SEAL**

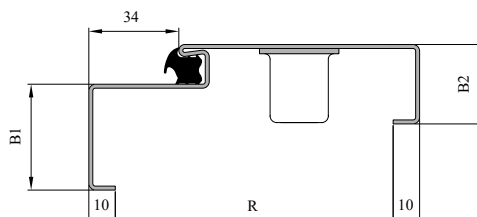
- Threshold made of stainless steel (included with the door frame)
-  Wooden threshold
-  Automatic threshold seal

**G. DOOR FRAMES**

**METAL DOOR FRAME**

Made of 1.5 mm thick steel sheet and galvanized steel sheet. Powder coated, available in colors included in Porta's current offer or  any RAL and NCS color. Equipped with reinforcement for a self-closer. Two versions: floor level "0" or "-30" [mm].

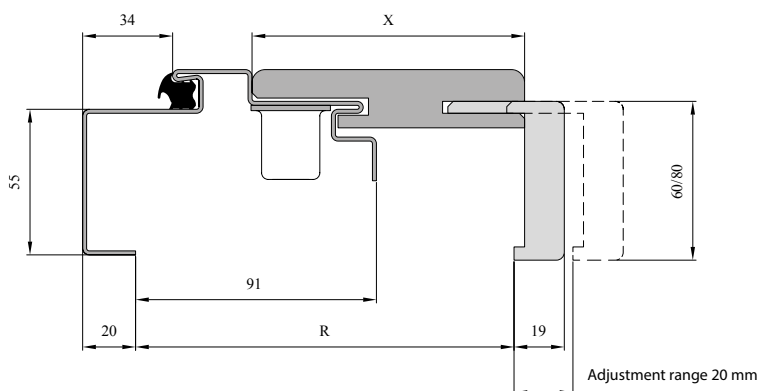
R Range of wall thickness [mm] - standard 100	B1 Height of the front angle-bar [mm] - standard 40	B2 Height of the back angle-bar [mm] - standard 30
80-480	 30-55	 30-75



**PROJECT DOOR FRAME**

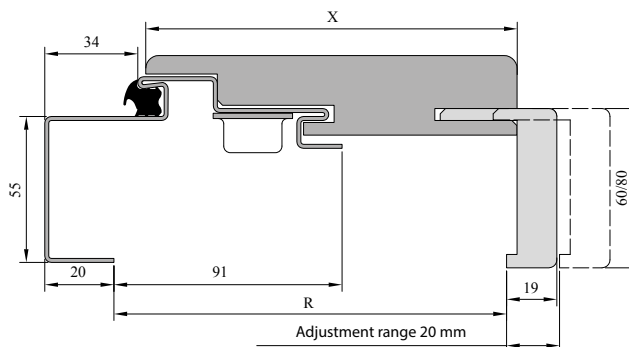
Metal door frame completed with a PROJECT overlay, veneered in a leaf color.

R Range of wall thickness [mm]	Type of door frame	X Overlay GRANITE [mm]
143-163	B	103
163-188	C	128
188-208	D	148
208-228	E	168
228-248	F	188
248-268	G	208
268-288	H	228
288-308	I	248
308-328	J	268
328-348	K	288




** MODIFIED PROJECT DOOR FRAME**

R Range of wall thickness [mm]	Type of door frame	X Overlay GRANITE [mm]
143-163	B	130
168-188	C	155
188-208	D	175
208-228	E	195
228-248	F	215
248-268	G	235
268-288	H	255
288-308	I	275
308-328	J	295
328-348	K	315



ATTENTION:  
Door leaf (Contract), extended dimensions, Ss (+20 mm), Hs (+10 mm).

-  Possibility of using other solutions and accessories than those listed above (e.g. electromagnetic lock, electromagnetic holders from page 102), after consultation with the Contract Department.

Technical Approval AT-15-6043/2011 • Certificate of Conformity ITB - 1199/W • Hygienic Certificate 20/322/21/2013



**Burglar-proofness** 3 Class according to PN-EN 1627:2006

**Mechanical Class** 4 according to PN-EN 1192:2001

**Fire resistance** class EI<sub>2</sub> 30 according to PN-EN13501-2+A1:2010 (only Granite PS type II)

**Smoke-proofness** class Sa and Sm according to PN-EN 13501-2+A1:2010

**Acoustic Insulation** Rw 32dB according to PN-87/B-02151/03 and D<sub>1</sub>30, D<sub>2</sub>30 according to PN-B-02151-3:1999

## PURPOSE AND SCOPE OF USE

Interior wooden doors type DT-PW with clear opening size at least 900 x 2000 mm are designed for use in the construction industry as interior entrance door between the staircase and spaces. Due to the strength requirements, these doors can be used in conditions corresponding to Class 4 of requirements according to PN-EN 1192:2001, i.e. in very heavy use conditions.


**DOOR MARKING:** DT-PW TYPE I - Solid single-leaf door Granite PS Type I

DT-PW TYPE II - Solid single-leaf door Granite PS Type II.

## CONSTRUCTION

### A. FINISHING

Veneer: CPL, HPL, PVC Veneer, Natural Standard, Natural Select, acrylic paint.

Patterns and colors from the standard and  non-standard collection.

### B. COVERING

Aluminum layer with HDF board or chipboard (doors in natural veneers).

### C. FILLING

Solid chipboard.

### D. CONSTRUCTION FRAME

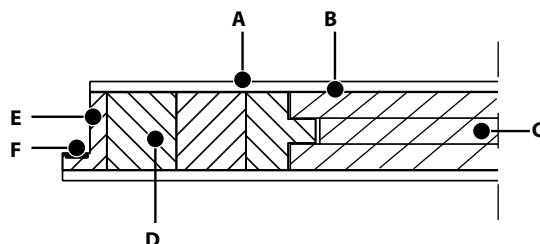
Construction frame made of laminated softwood.

### E. EDGE

With CPL finish, both vertical edges of the door are covered with 1 mm thick ABS tape. In other types of finish, the edge tape or natural veneer has the same color as the door leaf.

### F. SEAL

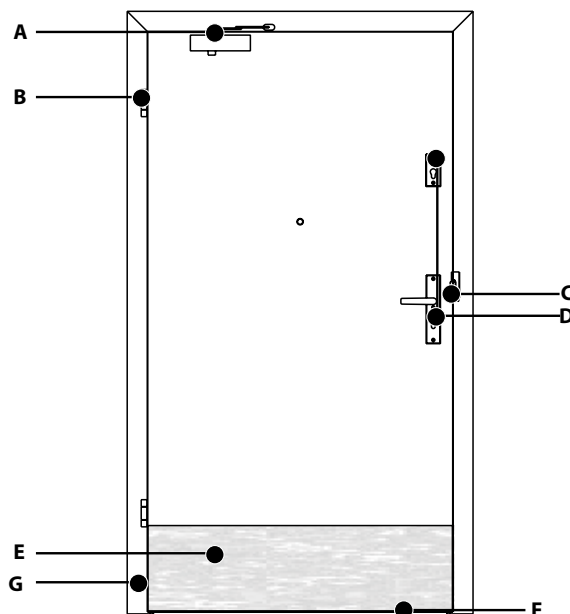
Seal expanding under high temperature (Granite type II).



## DIMENSIONAL RANGES WITHIN THE TECHNICAL APPROVAL

	TYPE OF DOOR	LEAF WIDTH S <sub>1</sub>	LEAF HEIGHT H <sub>1</sub>
Single-leaf doors	Solid rebated	max 1068 mm	max 2214 mm

## ACCESSORIES AND EQUIPMENT



### A. SELF-CLOSER (see accessories page 101)

Doors are prepared for mounting a surface-mounted door closer in standard.

Proposed self-closers:

#### Surface mounted:

##### • Arm closers

- Geze TS 4000
- Eco Schulte TS 41
- Dorma TS 83

##### • Rail closers

- Geze TS 5000
- Dorma TS 93
- Geze TS 3000V

#### Hidden closers:

Requires non-standard adaptation of the leaf and door frame.

- Eco Schulte ITS Multi Genius
- Dorma ITS 96
- Geze Boxer 2-4

### B. HINGES (see accessories page 100)

- Adjustable technical stainless steel VX7939/100.

### C. ELECTRIC STRIKE (see accessories page 102)


Proposed electric strikes:

- fail-secure: Eff Eff 142U (possibility of connecting with the main lock)
- Power supply method according to the manufacturer of electric strikes.

### D. LOCKS (see accessories page 103)

- Four-point mortise lock with two cylinders.





**E.  PROTECTIVE PANEL** (see accessories page 101)

Stainless steel panels with a thickness of 0.6 mm for the doors are available.

Recommended panels:

- Bottom kick panel with a height of 300 mm
- Upper push panel at the height of the handle with a height of 300 mm

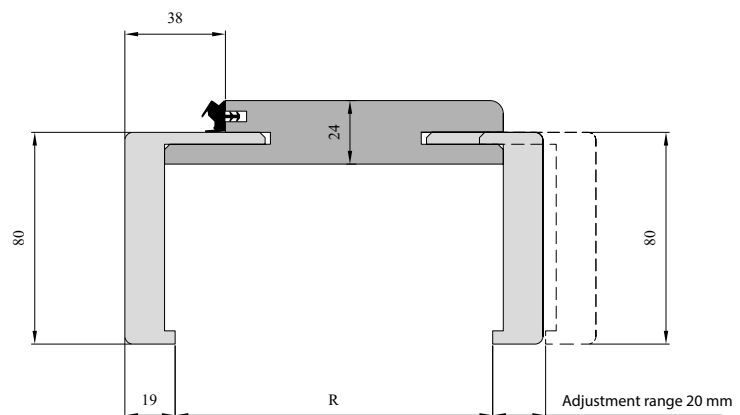
**F. BOTTOM SEAL**


- Threshold made of stainless steel (included with the door frame)
-  Wooden threshold
-  Automatic threshold seal

**G. DOOR FRAMES****REINFORCED ADJUSTABLE PORTA SYSTEM DOOR FRAME**

Plywood beams. The door frame is veneered in leaf color. It is equipped with reinforcement for a door closer and anchor bolts.

R Range of wall thickness [mm]	Type of door frame
120-140	C
140-160	D
160-180	E
180-200	F
200-220	G
220-240	H
240-260	I
260-280	J
280-300	K



-  Possibility of using other solutions and accessories than those listed above (e.g. electromagnetic lock, electromagnetic holders from page 102), after consultation with the Contract Department.

**Technical Approval AT-15-4997/2011- Hygienic Certificate 77/322/87/2012**



Mechanical class 3 according to PN-EN 1192:2001  
Acoustic Insulation  $R_w$  32dB according to PN-87/B-02151/03 and  $D_{1,30}$ ,  $D_{2,30}$  according to PN-B-02151-3:1999

## PURPOSE AND SCOPE OF USE

Wooden interior doors type DW-A are intended for use as interior entrance doors in houses, public buildings and apartment buildings. Due to the strength requirements, the doors can be used in conditions corresponding to Class 3 of requirements according to PN-EN 1192:2001, i.e. in heavy use conditions.

**DOOR MARKING:** DW-A32/M - single-leaf solid door AGATE

## CONSTRUCTION

### A. FINISHING

Veneer: CPL, HPL, PVC Veneer, Natural Standard, Natural Select, Acrylic paint.  
Patterns and colors from the standard and non-standard collection.

### B. COVERING

Aluminium layer with HDF board or chipboard (doors in natural veneers).

### C. FILLING

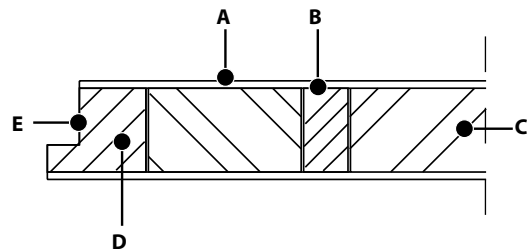
Perforated chipboard reinforced with internal plywood muntin.

### D. CONSTRUCTION FRAME

Construction frame made of laminated softwood.

### E. EDGE

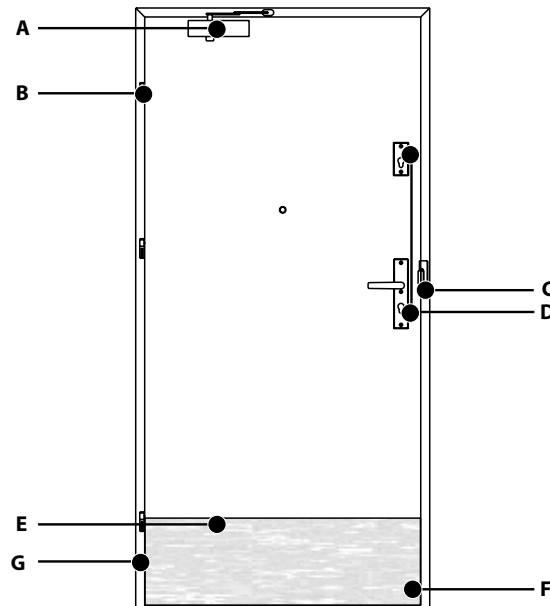
With CPL finish, both vertical edges of the door are covered with 1 mm thick ABS tape. In other types of finish, the edge tape or natural veneer has the same color as the door leaf.



## DIMENSIONAL RANGES WITHIN THE TECHNICAL APPROVAL

	TYPE OF DOOR	LEAF WIDTH $S_s$	LEAF HEIGHT $H_s$
Single-leaf doors	Solid rebated	844-1044 mm	2030-2200 mm

## ACCESSORIES AND EQUIPMENT

**A. SELF-CLOSER** (see accessories page 101)**Surface mounted:**

Arm and rail door closers fitted to the size and weight of the leaf may be used.  
The use of door closers requires strengthening the leaf and the frame.

 **Hidden:**

Requires increasing the thickness of the leaf and the frame rebate.

Proposed self-closers:

- Eco Schulte ITS Multi Genius
- Dorma ITS 96
- Geze Boxer 2-4

**B. HINGES** (see accessories page 100)

- Two-part pintle hinge
- three-part reinforced hinge
- rising hinge

**C.  ELECTRIC STRIKE** (see accessories page 102)

A number of electric strikes suggested by the customer can be used.

Proposed electric strikes:

- fail-secure Openers&Closers 30.1.00.B
- fail-safe Openers&Closers 34.1.00.E

Power supply method according to the manufacturer of electric strikes.

**D. LOCKS** (see accessories page 103)

**Two cylinder insert locks (main, additional upper lock).**

 **Panic lock.**


Proposed locks:

- in single-leaf doors, mortise lock GBS 92 72/65 with function B

Panic fittings available in handle – handle or handle – panic bar configurations.

 **Hotel lock.**

The possibility of preparing leaves and frames for mounting series of electronic locks listed in AT or having the appropriate certificates.

**E.  PROTECTIVE PANEL** (see accessories page 101)


Stainless steel panels with a thickness of 0.6 mm for the doors are available.



Proposed panels:

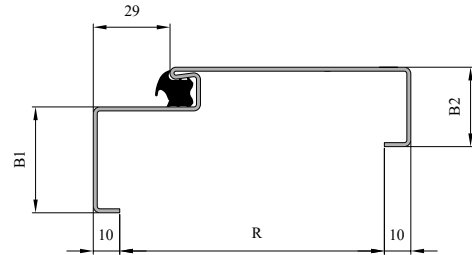
- Bottom kick panel with a height of 300 mm
- Upper push panel at the height of the handle with a height of 300 mm

**F. DOOR FRAMES**

**METAL DOOR FRAME**

Made of steel sheet with a thickness of 1.2 mm. Powder painted in the colors available in Porta's current offer or  any RAL and NCS color. Two versions: floor level "0" or "-30" [mm]. Optional equipment: reinforcement for a door closer and anchor bolts.

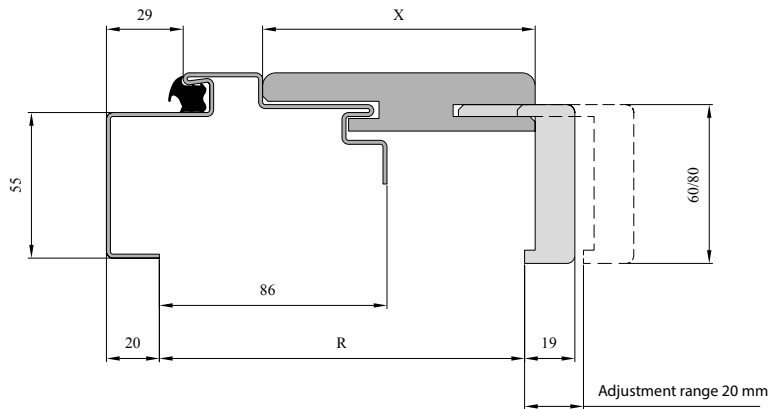
R Range of wall thickness [mm] - standard 100	B1 Height of the front angle-bar [mm] - standard 40	B2 Height of the back angle-bar [mm] - standard 30
80-480	 30-55	 30-75



**PROJECT DOOR FRAME**

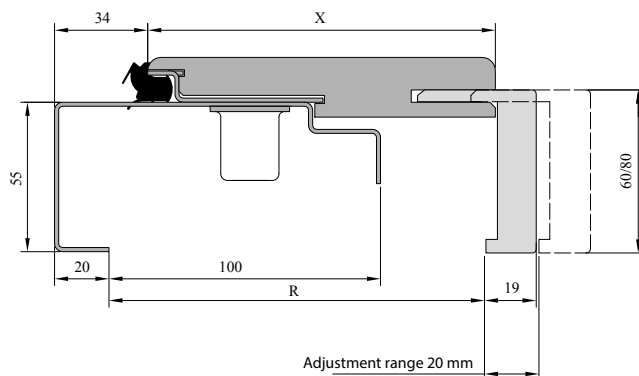
Metal door frame completed with the PROJECT overlay, veneered in leaf color.

R Range of wall thickness [mm]	Type of door frame	X Overlay AGATE [mm]
138-158	B	103
163-183	C	128
183-203	D	148
203-223	E	168
223-243	F	188
243-263	G	208
263-283	H	228
283-303	I	248
303-323	J	268
323-343	K	288




**PROJECT PREMIUM DOOR FRAME**

R Range of wall thickness [mm]	Type of door frame	X Size [mm] Overlay AGATE
133-153	B	128
153-173	C	148
173-193	D	168
193-213	E	188
213-233	F	208
233-253	G	228
253-273	H	248
273-293	I	268
293-313	J	288
313-333	K	308



ATTENTION! Metal profile only in standard offer.

 Possibility of using other solutions and accessories than those listed above (e.g. electromagnetic lock, electromagnetic holders, from page 102), after consultation with the Contract Department.

Technical Approval AT-15-4997/2011 • Hygienic Certificate 77/322/87/2012



**Burglar-proofness** 2 class according to PN-ENV 1627:2006  
**Mechanical class** 3 according to PN-EN 1192:2001  
**Acoustic Insulation**  $R_w$  32dB according to PN-87/B-02151/03 and  $D_{1,30}$ ,  $D_{2,30}$  according to PN-B-02151-3:1999


## PURPOSE AND SCOPE OF USE

Wooden interior doors type DW-A are intended for use as interior entrance doors in houses, public buildings and apartment buildings. Due to the aforementioned strength requirements, the doors can be used in conditions corresponding to Class 3 of requirements according to PN-EN 1192:2001, i.e. in heavy use conditions.

**DOOR MARKING:** DW-A32K2/M - single-leaf solid door OPAL

## CONSTRUCTION

### A. FINISHING

Veneer: CPL, HPL, PVC Veneer, Natural Standard, Natural Select, Acrylic paint.  
 Patterns and colors from the standard and  non-standard collection.

### B. COVERING

Aluminium layer with HDF board or chipboard (doors in natural veneers).

### C. FILLING

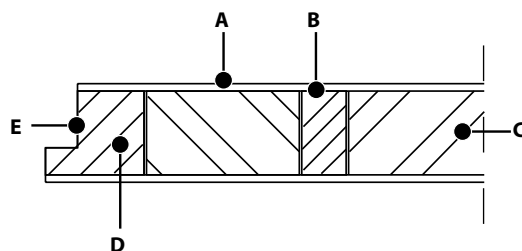
Perforated chipboard reinforced with internal plywood muntin.

### D. CONSTRUCTION FRAME

Construction frame made of reinforced softwood.

### E. EDGE

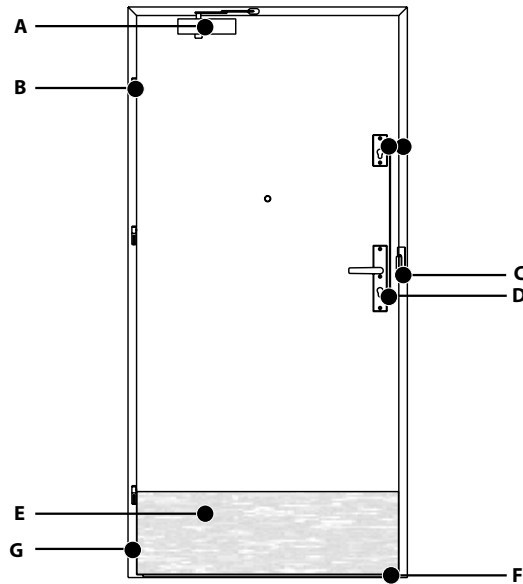
With CPL finish, both vertical edges of the door are covered with 1 mm thick ABS tape.  
 In other types of finish, the edge tape or natural veneer has the same color as the door leaf.



## DIMENSIONAL RANGES WITHIN THE TECHNICAL APPROVAL

	TYPE OF DOOR	LEAF WIDTH $S_s$	LEAF HEIGHT $H_s$
Single-leaf doors	Solid rebated	844-1044 mm	2030-2200 mm

## ACCESSORIES AND EQUIPMENT

**A. SELF-CLOSER** (see accessories page 101)**Surface mounted:**

Arm and rail door closers fitted to the size and weight of the leaf may be used.  
The use of door closers requires strengthening the leaf and the frame.

**Hidden:**

Requires increasing the thickness of the leaf and the frame rebate.

Proposed self-closers:

- Eco Schulte ITS Multi Genius
- Dorma ITS 96
- Geze Boxer 2-4

**B. HINGES** (see accessories page 100)

- Two-part pintle hinge
- three-part reinforced hinge
- rising hinge

**C.  ELECTRIC STRIKE** (see accessories page 102)

A number of electric strikes suggested by the customer can be used.

Proposed electric strikes:

- fail-secure Openers&Closers 30.1.00.B
- fail-safe Openers&Closers 34.1.00.E

Power supply method according to the manufacturer of electric strikes.

**D. LOCKS** (see accessories page 103)

**Four-point mortise lock with two cylinders.**

**E.  PROTECTIVE PANEL** (see accessories page 101)

Stainless steel panels with a thickness of 0.6 mm for the doors are available.

Recommended panels:

- Bottom kick panel with a height of 300 mm
- Upper push panel at the height of the handle with a height of 300 mm

### F. BOTTOM SEAL

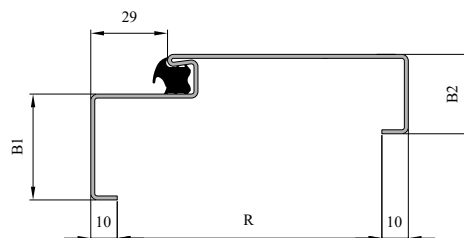
- Threshold made of stainless steel (included with the door frame)
- Wooden threshold
- Automatic threshold seal

### G. DOOR FRAMES

#### METAL DOOR FRAME

Made of 1.5 mm thick steel sheet. Powder coated, available in colors included in Porta's current offer or  any RAL and NCS color. Two versions: floor level "0" or "-30" [mm]. Optional equipment: reinforcement for a door closer and anchor bolts.

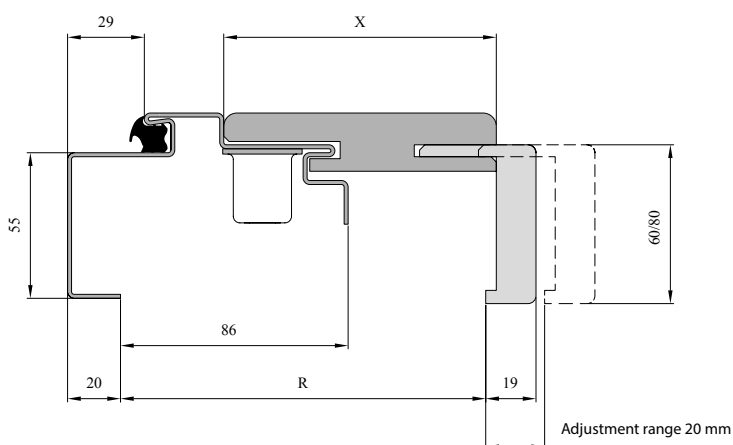
R Range of wall thickness [mm] - standard 100	B1 Height of the front angle-bar [mm] - standard 40	B2 Height of the back angle-bar [mm] - standard 30
80-480	<input checked="" type="checkbox"/> 30-55	<input checked="" type="checkbox"/> 30-75



#### PROJECT DOOR FRAME

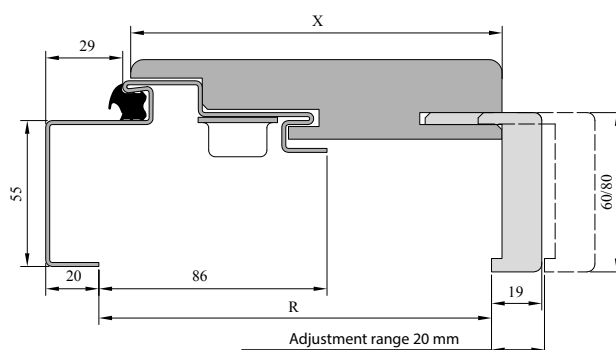
Metal door frame completed with the PROJECT overlay veneered in leaf color.

R Range of wall thickness [mm]	Type of door frame	X Overlay OPAL [mm]
138-158	B	103
163-183	C	128
183-203	D	148
203-223	E	168
223-243	F	188
243-263	G	208
263-283	H	228
283-303	I	248
303-323	J	268
323-343	K	288



#### MODIFIED PROJECT DOOR FRAME

R Range of wall thickness [mm]	Type of door frame	X Overlay OPAL [mm]
138-158	B	130
163-183	C	155
183-203	D	175
203-223	E	195
223-243	F	215
243-263	G	235
263-283	H	255
283-303	I	275
303-323	J	295
323-343	K	315



ATTENTION:  
Door leaf (Contract), extended dimensions, Ss (+20 mm), Hs (+10 mm).

Possibility of using other solutions and accessories than those listed above (e.g. electromagnetic lock, electromagnetic holders, check page 102), after consultation with the Contract Department.

## EXAMPLES OF SOLUTIONS



42 dB with a metal door frame

❑ Non-standard solution:  
hotel lock



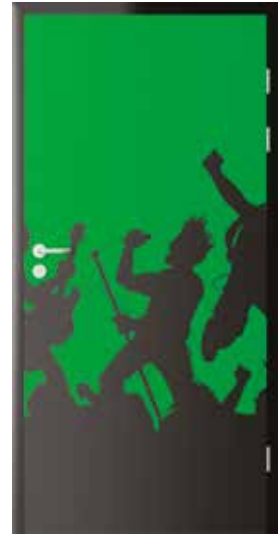
32 dB with a metal door frame

❑ Non-standard solution:  
type and color of finishing,  
drilling pattern



27 dB with a metal door frame

❑ Non-standard solution:  
Finishing color, kick panel, handle  
panel



27 dB with Porta SYSTEM  
door frame

❑ Non-standard solution:  
Finishing color, application



27 dB with Porta SYSTEM door frame

❑ Non-standard solution: double-leaf,  
combination of different patterns of natural veneers



❑ 37 dB with MDF door frame

❑ Non-standard solution: Hidden door  
self-closer



42 dB with Project door frame

❑ Non-standard solution: Extended archi-  
traves, side wall panel

## SELECTED PROJECTS



Poland, Rzeszów, University of Rzeszów



Poland, Józefów, Holiday Hotel



Poland, Wrocław, Centre for Continuing Education

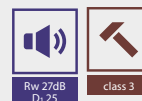


# SOUND RETARDANT DOORS



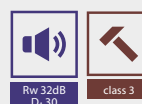
## 27dB

Technical Doors / p. 66



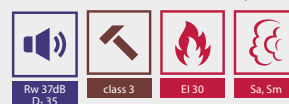
## 32dB

Technical Doors / p. 70



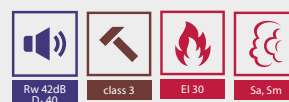
## SILENCE 37dB

Technical Doors / p. 74



## 42dB

Technical Doors / p. 79



### Other doors with soundproof class:

- QUARTZ / p. 32
- EI30 / p. 35
- EI60 / p. 43
- GRANITE / p. 52
- GRANITE PS / p. 55
- AGATE / p. 58
- OPAL / p. 61



## Technical Approval AT-15-4997/2011 • Hygienic Certificate 19/322/20/2013


Rw 27dB  
D<sub>1</sub>, 25

class 3

Acoustic Insulation Rw 27dB according to PN-87/B-02151/03 and D<sub>1</sub>,25, D<sub>2</sub>,25  
according to PN-B-02151-3:1999  
Mechanical Class 3 according to PN-EN 1192:2001


## PURPOSE AND SCOPE OF USE

DT-A doors version DT-A27/M are designed for use in houses, public buildings and apartment buildings as interior entrance doors. The doors can be used in Class 3 requirements according to PN-EN 1192:2001. DT-A doors version DT-A27/PS and DT-A27/D are designed for use in public buildings and apartment buildings as interior doors. The doors can be used in Class 3 requirements according to PN-EN 1192:2001. In regard to sound protection of premises, doors in soundproof classes D1-25, D2-25 and Rw 27 dB, may be used in compliance with the requirements of PN-B-02151-3:1999 or PN-87/B-02151/03 - when the building was designed in accordance with this standard.

**DOOR MARKING:** DT-A/M - solid single-leaf door with metal door frame  
DT-A/PS - solid single-leaf door with adjustable Porta SYSTEM door frame  
 DT-A/D - solid single-leaf door with MDF 44 mm door frame

## CONSTRUCTION

## A. FINISHING

Veneer: CPL, HPL, PVC Veneer, Natural Standard, Natural Select, Acrylic paint.  
Patterns and colors from the standard and  non-standard collection.

## B. COVERING

HDF board or chipboard (doors in natural veneers).

## C. FILLING

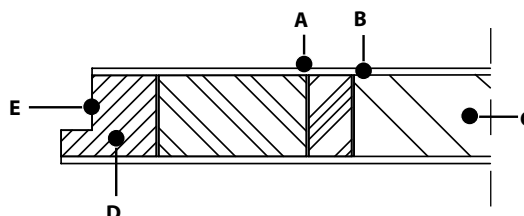
Perforated chipboard reinforced with internal plywood muntin.

## D. CONSTRUCTION FRAME

Construction frame made of reinforced softwood.

## E. EDGE

With CPL finish, both vertical edges of the door are covered with 1 mm thick ABS tape.  
In other types of finish, the edge tape or natural veneer has the same color as the door leaf.



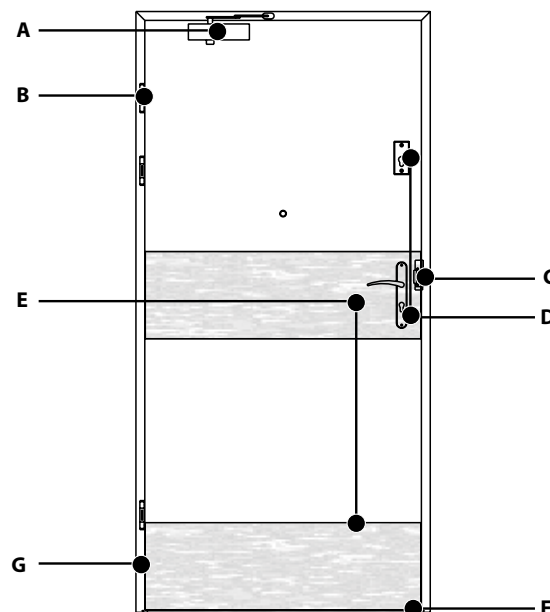
## DIMENSIONAL RANGES WITHIN THE TECHNICAL APPROVAL

	TYPE OF DOORS	LEAF WIDTH S <sub>s</sub>	LEAF HEIGHT H <sub>s</sub>
Single-leaf doors*	Solid rebated doors**	max 1044 mm	max 2200 mm

\*Double-leaf door version is available with Porta SYSTEM and MDF door frames under the Individual Use Approval (IUA) with confirmation of soundproof class. Maximum door size 90+90.

\*\*Single-leaf non-rebated door version is available with Porta SYSTEM ELEGANCE door frame under the Individual Use Approval (IUA) with confirmation of soundproof class. Maximum door size - "90".

## ACCESSORIES AND EQUIPMENT



### A. SELF-CLOSER (see accessories page 101)

#### Surface mounted:

Arm and rail door closers fitted to the size and weight of the leaf may be used.

The use of door closers requires strengthening the leaf and the frame.

#### Hidden:

Requires increasing the thickness of the leaf and the frame rebate.

Proposed self-closers:

- Eco Schulte ITS Multi Genius
- Dorma ITS 96
- Geze Boxer 2-4

### B. HINGES (see accessories page 100)

- Two-part pintle hinge for Porta SYSTEM and MDF door frames
- Three-part reinforced hinge for metal door frames,  for Porta SYSTEM and MDF door frames
- rising hinge

### C. ELECTRIC STRIKE (see accessories page 102)

A number of electric strikes suggested by the customer can be used.

Proposed electric strikes:

- fail-secure JIS 1710
- fail-safe MCM 611, O&C 34.1.00E

Power supply method according to the manufacturer of electric strikes.

### D. LOCKS (see accessories page 103)

**Main lock** - cylinder insert lock.

**Additional upper** cylinder insert lock.

**Panic lock.**

Proposed locks:

- in single-leaf doors, mortise lock GBS 92 72/65 with function B

Panic fittings available in handle – handle or handle – panic bar configurations.

**Hotel lock.**

The possibility of preparing leaves and frames for mounting series of electronic locks listed in AT or having the appropriate certificates.

### E. PROTECTIVE PANEL (see accessories page 101)

Stainless steel panels with a thickness of 0.6 mm for the doors are available.

Proposed panels:

- bottom kick panel with a height of 300 mm
- upper push panel at the height of the handle with a height of 300 mm

### F. BOTTOM SEAL

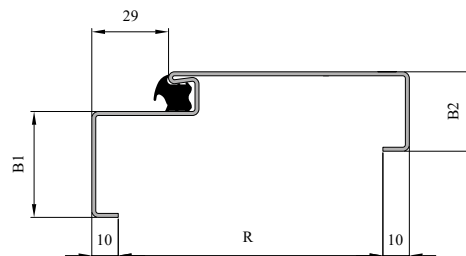
- Automatic threshold seal

### G. DOOR FRAMES

#### METAL DOOR FRAME

Made of 1.5 mm thick steel sheet. Powder coated, available in colors included in Porta's current offer or  any RAL and NCS color. Optional equipment: reinforcement for a door closer and anchor bolts. Two versions: floor level "0" or "-30" [mm].

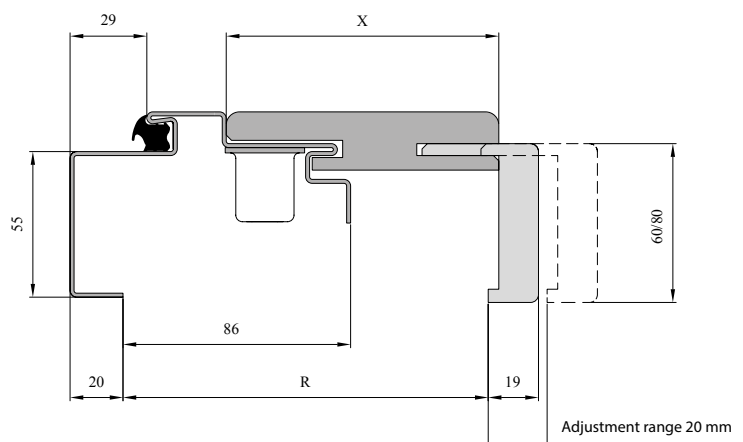
R Range of wall thickness [mm] - standard 100	B1 Height of the front angle-bar [mm] - standard 40	B2 Height of the back angle-bar [mm] - standard 30
80-480	<input checked="" type="checkbox"/> 30-55	<input checked="" type="checkbox"/> 30-75



#### PROJECT DOOR FRAME

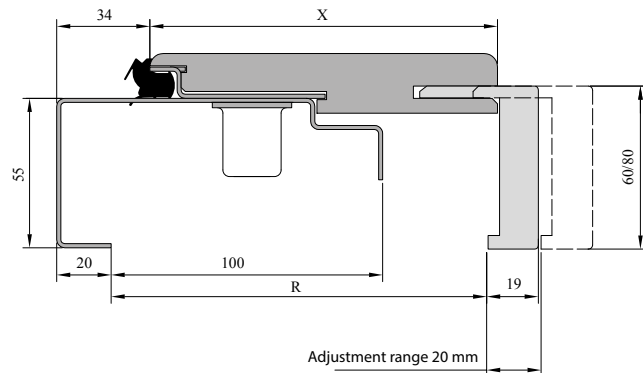
Metal door frame with the PROJECT overlay veneered in leaf color.

R Range of wall thickness [mm]	Type of door frame	X Overlay 27dB [mm]
138-158	B	103
163-183	C	128
183-203	D	148
203-223	E	168
223-243	F	188
243-263	G	208
263-283	H	228
283-303	I	248
303-323	J	268
323-343	K	288



### PROJECT PREMIUM DOOR FRAME

R Range of wall thickness [mm]	Type of door frame	X Size [mm] Overlay
133-153	B	128
153-173	C	148
173-193	D	168
193-213	E	188
213-233	F	208
233-253	G	228
253-273	H	248
273-293	I	268
293-313	J	288
313-333	K	308

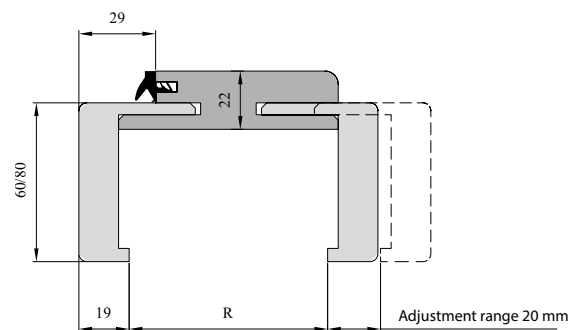


ATTENTION! Metal profile only in standard offer.

### PORTA SYSTEM DOOR FRAME

Adjustable door frame, veneered in leaf color.

R Range of wall thickness [mm]	Type of door frame
75-95	A
95-115	B
120-140	C
140-160	D
160-180	E
180-200	F
200-220	G
220-240	H
240-260	I
260-280	J
280-300	K
300-320	<input checked="" type="checkbox"/> L
320-340	<input checked="" type="checkbox"/> M
340-360	<input checked="" type="checkbox"/> N



Ranges M and N only available in synthetic veneers

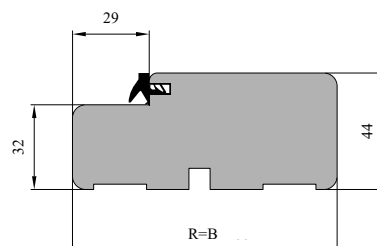
### MDF DOOR FRAME

Architraves and quarter rounds are available for the door frames.  Fixed door frames are also available in softwood version. Presented frame dimensions do not include the thickness of the veneer.

- Fixed door frame 100 mm, made of MDF, veneered in leaf color.

R Range of wall thickness [mm]	Type of door frame	B MDF beam 100 [mm]
100	100	100

Available other size ranges for R beams.



- Possibility of using other solutions and accessories than those listed above (e.g. electromagnetic lock, electromagnetic holders, semi-automatic edge bolt from page 102), after consultation with the Contract Department.

Technical Approval AT-15-3575/2015 • Certificate of Conformity ITB-0567/W • Hygienic Certificate 20/322/21/2013



Rw 32dB  
D<sub>1</sub>30



class 3

Acoustic Insulation Rw 32dB according to PN-87/B-02151/03 and D<sub>1</sub>30, D<sub>2</sub>30 according to PN-B-02151-3:1999  
Mechanical Class 3 according to PN-EN 1192:2001

## PURPOSE AND SCOPE OF USE

DT-A32 door version DT-A32/M are designed for use in houses, public buildings and apartment buildings as interior entrance door. The door can be used in Class 3 requirements according to PN-EN 1192:2001. DT-A32 door version DT-A32/PS and DT-A32/D are designed for use in public buildings and apartment buildings as interior doors. The doors can be used in Class 3 requirements of PN-EN 1192:2001.

**DOOR DESIGNNTIONS:** DT-A32/M - solid single-leaf door with metal door frame

DT-A32/PS - solid single-leaf door with adjustable Porta SYSTEM door frame

DT-A32/D - solid single-leaf door with MDF 44 mm door frame

## CONSTRUCTION

### A. FINISHING

Veneer: CPL, HPL, PVC Veneer, Natural Standard, Natural Select, Acrylic paint.

Patterns and colors from the standard and non-standard collection.

### B. COVERING

HDF board or chipboard  
(doors in natural veneers).

### C. FILLING

Solid chipboard.

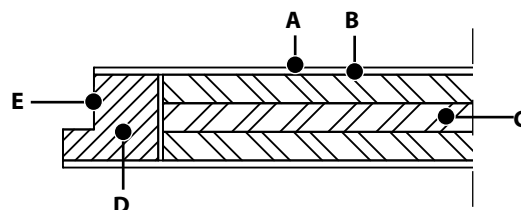
### D. CONSTRUCTION FRAME

Construction frame made of exotic wood.

### E. EDGE

With CPL finish, both vertical edges of the door are covered with 1 mm thick ABS tape.

In other types of finish, the edge tape or natural veneer has the same color as the door leaf.

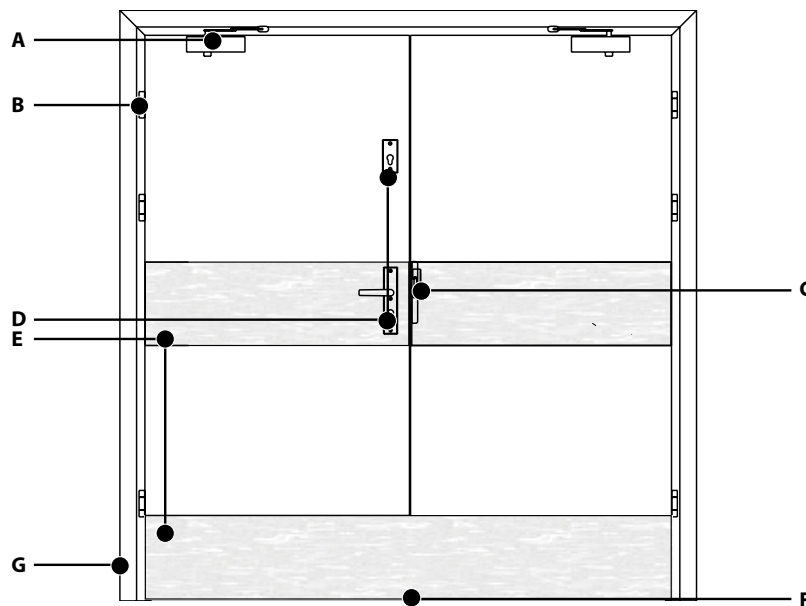


## DIMENSIONAL RANGES WITHIN THE TECHNICAL APPROVAL

	TYPE OF DOORS	LEAF WIDTH $S_s$	LEAF HEIGHT $H_s$
Single-leaf door	Solid rebated door*	max 1144 mm	max 2250 mm
Double-leaf door	Solid rebated door	max 1044 mm	max 2200 mm

\* Single-leaf non-rebated door is available with Porta SYSTEM door frame under the Individual Use Approval (IUA) with confirmation of soundproof class. Maximum door size - "90".

## ACCESSORIES AND EQUIPMENT



### A. SELF-CLOSER (see accessories page 101)

#### Surface mounted:

Arm and rail door closers fitted to the size and weight of the leaf may be used.  
The use of door closers requires strengthening the leaf and the frame.

#### Hidden:

Requires increasing the thickness of the leaf and the frame rebate.

Proposed self-closers:

- Eco Schulte ITS Multi Genius
- Dorma ITS 96
- Geze Boxer 2-4

### B. HINGES (see accessories page 100)

- three-part reinforced hinge
- Adjustable technical stainless steel VX7939/100 hinge
- V4487WF hinge to non-rebated door

### C. ELECTRIC STRIKE (see accessories page 102)

A number of electric strikes suggested by the customer can be used.

Proposed electric strikes:

- fail-secure JIS 1510
- fail-safe JIS 1511

Power supply method according to the manufacturer of electric strikes.

**D. LOCKS** (see accessories page 103)

**Main lock** - cylinder insert lock.

**Additional upper cylinder insert lock.**

**Panic lock.**

Proposed locks:

- in single-leaf doors, mortise lock GBS 92 72/65 with function B
  - in double-leaf doors: in the active leaf, mortise lock GBS 94 72/65 with function B, in the passive leaf - lock GBS 93
- Panic fittings available in handle – handle or handle – panic bar configurations.

**Hotel lock.**

The possibility of preparing leaves and frames for mounting series of electronic locks listed in AT or having the appropriate certificates.

**E.  PROTECTIVE PANEL** (see accessories page 101)

Stainless steel panels with a thickness of 0.6 mm for the doors are available.

Proposed panels:

- bottom kick panel with a height of 300 mm
- upper push panel at the height of the handle with a height of 300 mm

**F. BOTTOM SEAL**

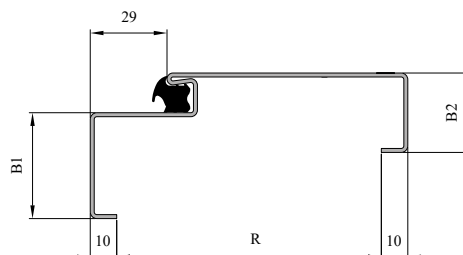
- Automatic threshold seal

**G. DOOR FRAMES**

**METAL DOOR FRAME**

Made of 1.5 mm thick steel sheet. Powder coated, available in colors included in Porta’s current offer or  any RAL and NCS color. Optional accessories - reinforcement for a door self-closer and anchor bolts. Two versions: floor level “0” or “-30” [mm].

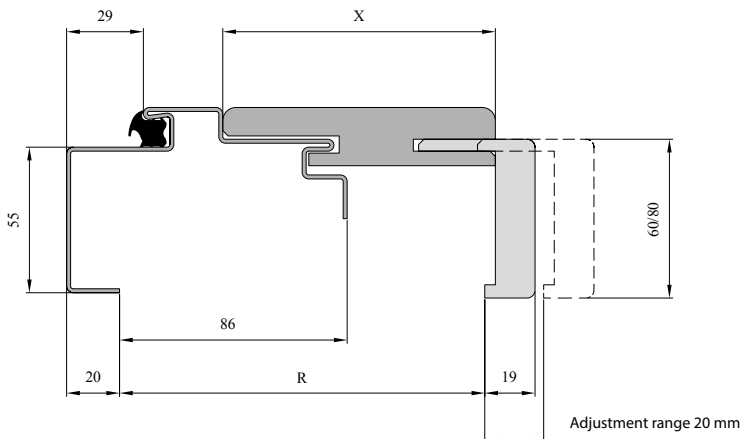
R Range of wall thickness [mm] - standard 100	B1 Height of the front angle-bar [mm] - standard 40	B2 Height of the back angle-bar [mm] - standard 30
80-480	<input checked="" type="checkbox"/> 30-55	<input checked="" type="checkbox"/> 30-75



**PROJECT DOOR FRAME**

Metal door frame with the PROJECT overlay veneered in leaf color.

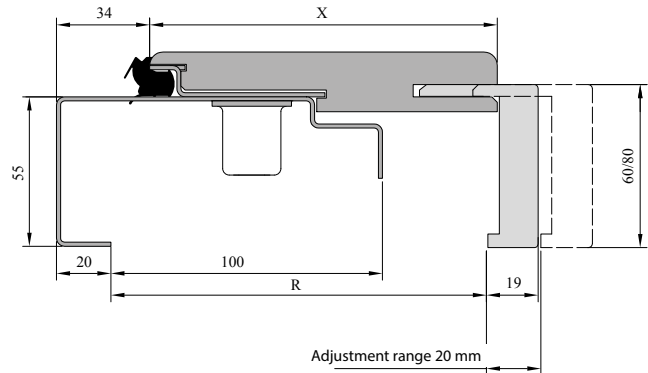
R Range of wall thickness [mm]	Type of door frame	X Overlay 32dB [mm]
138-158	B	103
163-183	C	128
183-203	D	148
203-223	E	168
223-243	F	188
243-263	G	208
263-283	H	228
283-303	I	248
303-323	J	268
323-343	K	288





**PROJECT PREMIUM DOOR FRAME**

R Range of wall thickness [mm]	Type of door frame	X Size [mm] Overlay
133-153	B	128
153-173	C	148
173-193	D	168
193-213	E	188
213-233	F	208
233-253	G	228
253-273	H	248
273-293	I	268
293-313	J	288
313-333	K	308

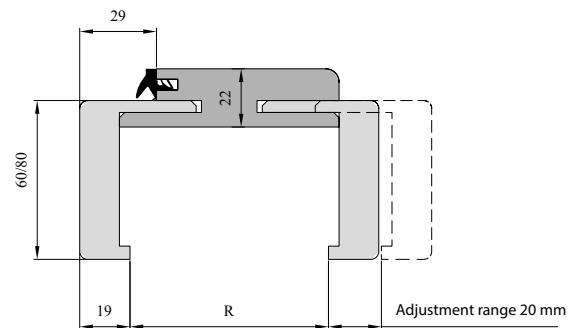


ATTENTION! Metal profile only in standard offer.

**REINFORCED PORTA SYSTEM DOOR FRAME**

Adjustable door frame, veneered in leaf color.  
Plywood frame beams.

R Range of wall thickness [mm]	Type of door frame
75-95	A
95-115	B
120-140	C
140-160	D
160-180	E
180-200	F
200-220	G
220-240	H
240-260	I
260-280	J
280-300	K
300-320	<input checked="" type="checkbox"/> L
320-340	<input checked="" type="checkbox"/> M
340-360	<input checked="" type="checkbox"/> N



- Ranges M and N only available in synthetic veneers

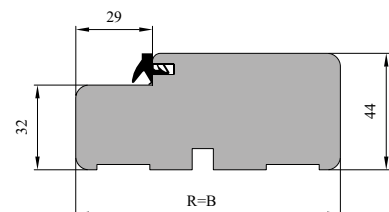
**MDF DOOR FRAME**

Architraves and quarter rounds are available for the door frames.   
Fixed door frames are also available in softwood version.  
Presented frame dimensions do not include the thickness of the veneer.

Fixed door frame 100 mm, made of MDF, veneered in leaf color.

R Range of wall thickness [mm]	Type of door frame	B MDF beam 100 [mm]
100	100	100

Available other size ranges for R beams.



Possibility of using other solutions and accessories than those listed above (e.g. electromagnetic lock, electromagnetic holders, semi-automatic edge bolt from page 102), after consultation with the Contract Department.

Made on the basis of an individual use approval documentation



**Acoustic Insulation**  $R_w$  37dB acc. PN-87/B-02151/03 and  $D_{1,35}$ ,  $D_{2,30}$  acc. PN-B-02151-3:1999  
**Fire resistance** EI,30 acc. PN-EN 13501-2+A1:2010.2  
**Smoke-proofness** class Sa, Sm acc. PN-EN 13501-2+A1:2010.2

$R_w$  37dB  
 $D_{1,35}$

EI 30

Sa, Sm

## PURPOSE AND SCOPE OF USE

Doors DT-A37 rebated and unrebated are dedicated to use as interior entrance doors in multifamily buildings, blocks of flats and public buildings.

### DOOR MARKING:

**DT-A37/M** - single-leaf doors rebated and unrebated solid with metal door frame

**DT-AW/PS** - single-leaf doors solid rebated and unrebated with adjustable Porta SYSTEM door frame

**DT-AW/D** - single-leaf doors solid rebated and unrebated with MDF door frame

## CONSTRUCTION

### A. FINISHING

Veneer: CPL, HPL, PVC Veneer, Natural Standard, Natural Select; Acrylic paint.  
 Patterns and colors of standard and non-standard collections.

### B. COVERING

HDF board and chipboard  
 (door leaves with natural veneer covering).

### C. FILLING

Sound retardant and fire resistant insert.

### D. CONSTRUCTION FRAME

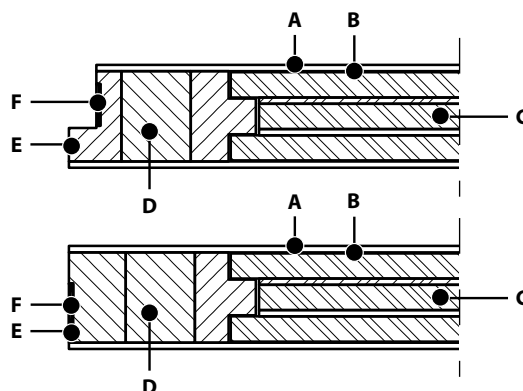
Construction frame made of laminated wood.

### E. EDGE

For CPL laminates both vertical edges are covered with ABS tape of thickness 1 mm.  
 For the rest types of finishings - edge tape or natural veneer in the color of door leaf.

### F. SEAL

The seal swelling under high temperature.

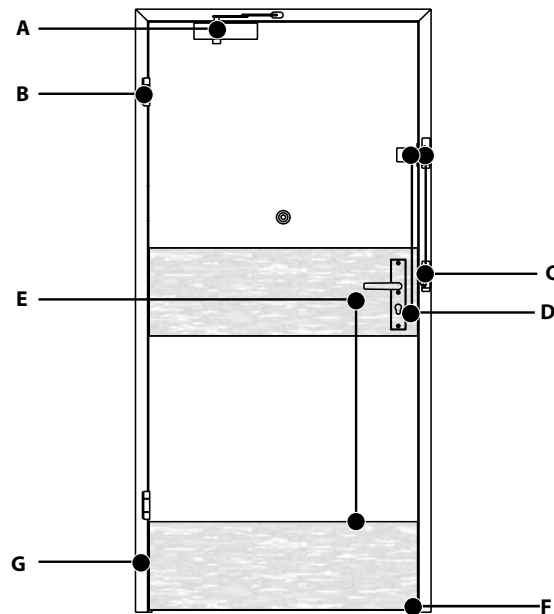


## DIMENSIONAL RANGE WITHIN THE TECHNICAL APPROVAL

	TYPE OF DOORS	LEAF WIDTH $S_s$	LEAF HEIGHT $H_s$
Single-leaf*	rebated solid unrebated solid	max 1044 mm max 1088 mm	max 2200 mm

The possibility of manufacturing double-leaf doors within Individual Use Approval Documentation with no confirmation of technical parameters.

## ACCESSORIES AND EQUIPMENT



### A. SELF-CLOSER (see accessories page 101)

Doors are prepared for installing a surface-mounted door closer in standard.

Proposed closers:

**Surface mounted:**

• **Arm closers**

- Geze TS 4000 (width range from "60" – "110")
- Eco Schulte TS 41 (width range from "60" – "110")
- Dorma TS 83 (width range from "60" – "110")
- Dorma TS 71, TS 73V (width range from "60" – "100")

• **Rail closers**

- Geze TS 5000 (width range from "60" – "110")
- Dorma TS 93 (width range from "60" – "110")
- Geze TS 3000V (width range from "60" – "100")

•  **Hidden closers - only doors with no fire resistance:**

Requires non-standard adaptation of the leaf and frame.

- Eco Schulte ITS Multi Genius
- Dorma ITS 96
- Geze Boxer 2-4

### B. HINGES (see accessories page 100)

Depending on type of door frame and kind of door (rebated, non-rebated)

- technical adjustable VX7729/100 of stainless steel
- technical adjustable VX7939/100 of stainless steel
- three-part reinforced

### C. ELECTRIC STRIKE (see accessories page 102)

Proposed electric strikes:

- fail-secure mode: Eff Eff 142U (available to work with main lock)
- fail-safe mode: Eff Eff 342U (available to work with additional ratchet lock)

Power supply method according to the manufacturer of electric strikes.

### D. LOCKS (see accessories page 103)

Main lock for cylinder insert.

**☒ Panic lock.**

Proposed locks:

- In single-leaf doors, mortise lock GBS 81 72/65 with function B

Panic fittings available in handle – handle or handle – panic bar configurations.

**☒ Additional ratcheting lock** short lock cooperating with fail-safe electric strike.

**☒ Hotel lock.**

The possibility of preparing door leaves and door frames for mounting series of electronic locks listed in AT or having the appropriate certificates.

### PROPOSED HOTEL LOCKS

Kaba 760, 770, 790;

LOB 5500, 8002, 8005, 8006, 8008

Tayama IT 5600

Hartmann Tresore HDL MF 20, HDL MF 20N, HDL MF 65

### E. ☒ PROTECTIVE PANEL (see accessories page 101)

Door leaves can be equipped with stainless steel panels of thickness 0,6 mm.

Proposed panels:

- bottom panel “kick-panel” of 300 mm of height
- top panel “push-panel” at a height of handle, of 300 mm of height

### F. BOTTOM SEAL

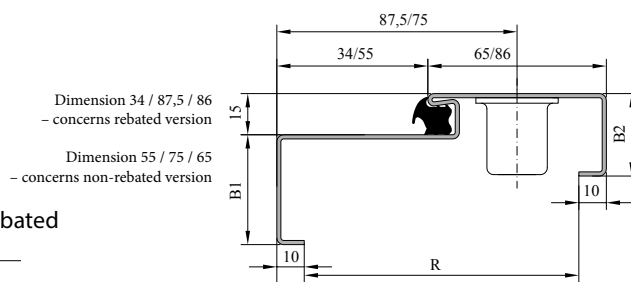
- automatic threshold seal

### G. DOOR FRAMES

**METAL DOOR FRAME** - rebated / non-rebated

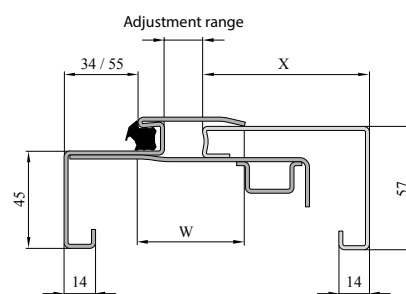
Made of steel sheet of a thickness of 1,5 mm. Powder coating available in colors of current Porta offer or ☒ in other chosen color among RAL and NCS palettes. Equipped with reinforcement for self-closing device. Two options of performance: floor level “0” or “-30” [mm]. Optionally equipment: mounting dowels.

R Range of wall thickness [mm] - standard 100	B1 Height of the front angle-bar [mm] - standard 40	B2 Height of the back angle-bar [mm] - standard 30
100-480	☒ 40-55	☒ 30-75



### ☒ METAL ADJUSTABLE DOOR FRAME - rebated / non-rebated

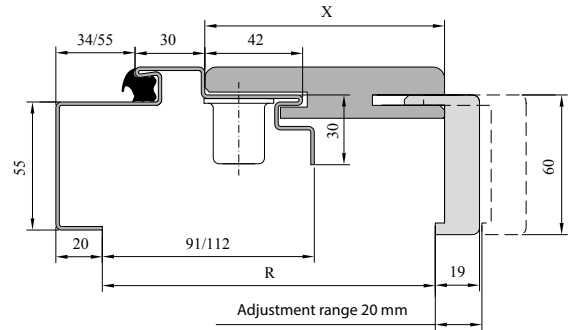
R Range of wall thickness [mm]	Type of door frame	X Adjustable closing profile [mm]	W Affixed front profile [mm]
95-120	A	82	50
121-145	B	105	60
146-170	C	130	
171-195	D	155	70
196-220	E	180	
221-245	F	205	80
246-270	G	230	
271-295	H	255	90



**PROJECT DOOR FRAME - rebated / non-rebated**

Metal door frame with the PROJECT overlay veneered in door leaf color.

R Range of wall thickness [mm] rebated	R Range of wall thickness [mm] unrebated	Type of door frame	X Overlay 37 dB [mm]
143-163	164-184	B	103
168-188	189-209	C	128
188-208	209-229	D	148
208-228	229-249	E	168
228-248	249-269	F	188
248-268	269-289	G	208
268-288	289-309	H	228
288-308	309-329	I	248
308-328	329-349	J	268
328-348	369-389	K	288

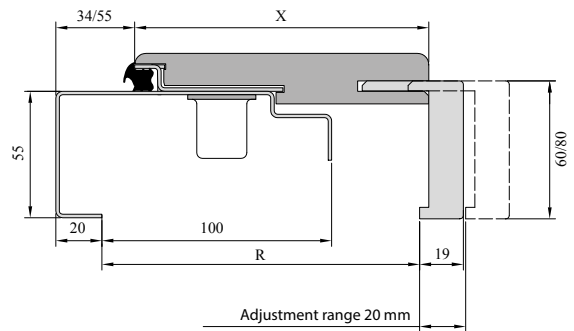


ATTENTION! Metal profile only in standard performance.

**PROJECT PREMIUM DOOR FRAME - rebated / non-rebated**

Metal door frame with the PROJECT PREMIUM overlay veneered in door leaf color.

R Range of wall thickness [mm] rebated	R Range of wall thickness [mm] unrebated	Type of door frame	X Overlay 37 dB [mm]
138-158	159-179	B	128
158-178	179-199	C	148
178-198	199-219	D	168
198-218	219-239	E	188
218-238	239-259	F	208
238-258	259-279	G	228
258-278	279-299	H	248
278-298	299-319	I	268
298-318	319-339	J	288
318-338	339-359	K	308

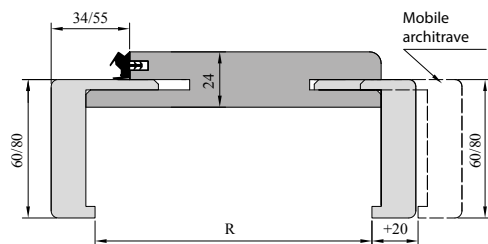


ATTENTION! Metal profile only in standard performance.

**PORTA SYSTEM REINFORCED DOOR FRAME - rebated / non-rebated**

Adjustable door frame, veneered in door leaf color. Main beams made of plywood.

R Range of wall thickness [mm]	Type of door frame [mm]	R Dimensions [mm]
120-140	C	120
140-160	D	140
160-180	E	160
180-200	F	180
200-220	G	200
220-240	H	220
240-260	I	240
260-280	J	260
280-300	K	280



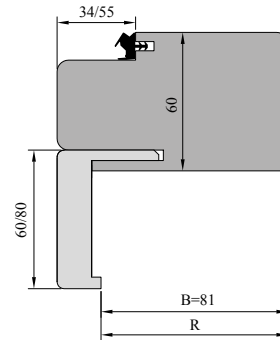
### MDF DOOR FRAME

Architraves and quarter rounds are available for the door frames. **K** Fixed door frames are also available in softwood version. Presented frame dimensions do not include the thickness of the veneer.

**Fixed door frame 100 mm, made of MDF, veneered in leaf color.**

R Range of wall thickness [mm]	Type of door frame	B MDF beam 37dB [mm]
81	100	81

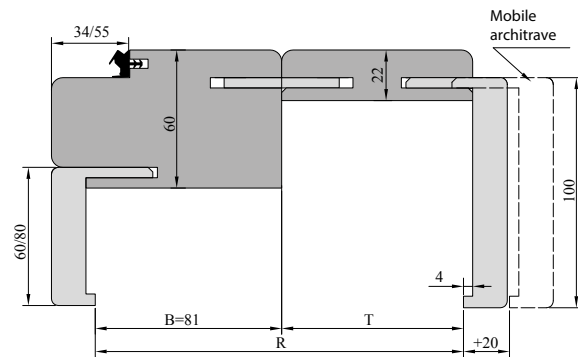
**K** Available other size ranges for R beams.



### **K** ADJUSTABLE MDF DOOR FRAME

**Fixed door frame 100 mm, made of MDF, veneered in leaf color.**

R Range of wall thickness [mm]	Type of door frame	R = B + T [mm]
137-157	A137	81 + (60 - 4)
160-180	A	81 + (83 - 4)
180-200	B	81 + (103 - 4)
205-225	C	81 + (128 - 4)
225-245	D	81 + (148 - 4)
245-265	E	81 + (168 - 4)
265-285	F	81 + (188 - 4)
285-305	G	81 + (208 - 4)
305-325	H	81 + (228 - 4)
325-345	I	81 + (248 - 4)
345-365	J	81 + (268 - 4)
365-385	K	81 + (288 - 4)



**K** Possibility of using other solutions and accessories than those listed above (e.g. electromagnetic lock, electromagnetic holders, semi-automatic edge bolt from page 102), after consultation with the Contract Department.

Technical Approval AT-15-4997/2011 • Certificate of Conformity ITB 1493/W • Hygienic Certificate 45/779/50/2010



**Acoustic Insulation** Rw 42dB according to PN-87/B-02151/03 and D<sub>1</sub>40, D<sub>2</sub>35 according to PN-B-02151-3:1999  
**Mechanical class** 3 according to PN-EN 1192:2001  
**Fire resistance** EI<sub>30</sub> according to PN-EN 13501-2+A1:2010.2 (only DT-AW/M and DT-AW/D)  
**Smoke-proofness** Class Sa, Sm according to PN-EN 13501-2+A1:2010.2 (only DT-AW/M and DT-AW/D)

## PURPOSE AND SCOPE OF USE OF THE CONSTRUCTION PRODUCT

DT-AW rebated and non-rebated doors are intended for use as interior entrance doors in apartment buildings, collective residential buildings and public buildings. Due to the strength requirements, the DT-AW doors can be used in conditions corresponding to Class 3 of strength requirements according to PN-EN 1192:2001, i.e. in heavy use conditions.

**DOOR MARKING:** DT-AW/M - solid single-leaf door with metal door frame  
 DT-AW/PS - solid single-leaf door with adjustable Porta SYSTEM frame  
 DT-AW/D - solid single-leaf door with fixed MDF frame

## CONSTRUCTION

### A. FINISHING

Veneer: CPL, HPL, PVC Veneer, Natural Standard, Natural Select, Acrylic paint.  
 Patterns and colors from the standard and non-standard collection.

### B. COVERING

HDF board or chipboard  
 (doors in natural veneers).

### C. FILLING

Sound retardant and fire resistant insert.

### D. CONSTRUCTION FRAME

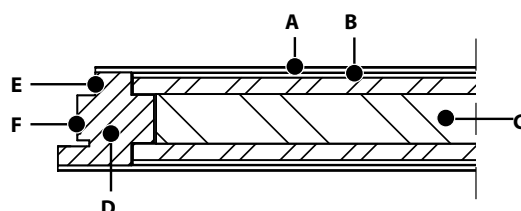
Construction frame made of exotic wood.

### E. EDGE

Construction frame covered with clear varnish, stained or painted in leaf color.

### F. SEAL

Seal expanding under high temperature.

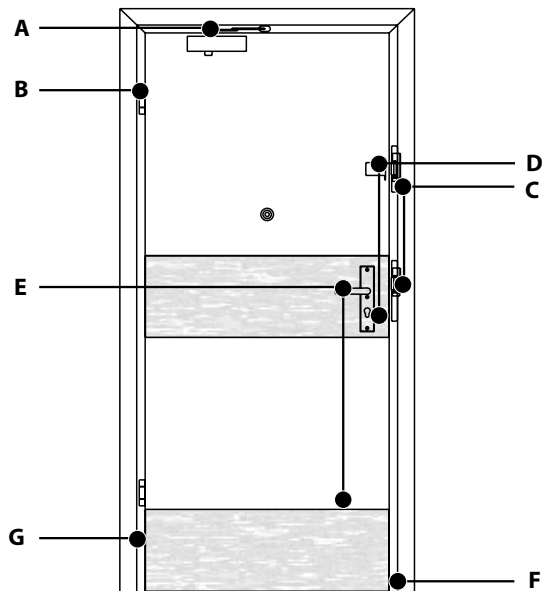


## DIMENSIONAL RANGES WITHIN THE TECHNICAL APPROVAL

	TYPE OF DOOR	LEAF WIDTH S <sub>s</sub>	LEAF HEIGHT H <sub>s</sub>
Single-leaf door*	Solid rebated	max 1088 mm	max 2200 mm

\* Double-leaf door version is available under the Individual Use Approval (IUA) with a confirmation of acoustic insulation class - for a metal door frame. For other types of door frame - with no confirmation of the mentioned parameter.

## ACCESSORIES AND EQUIPMENT



### A. SELF-CLOSER (see accessories page 101)

Doors are prepared for mounting a surface-mounted door closer in standard.

Proposed self-closers:

**Surface mounted:**

• **Arm closers**

- Geze TS 4000 (width range from "60" – "110")
- Eco Schulte TS 41 (width range from "60" – "110")
- Dorma TS 83 (width range from "60" – "110")
- Dorma TS 71, TS 73V (width range from "60" – "100")

• **Rail closers**

- Geze TS 5000 (width range from "60" – "110")
- Dorma TS 93 (width range from "60" – "110")
- Geze TS 3000V (width range from "60" – "100")

•  **Hidden closers:**

Requires non-standard adaptation of the leaf and door frame.

- Eco Schulte ITS Multi Genius
- Dorma ITS 96
- Geze Boxer 2 - 4

### B. HINGES (see accessories page 100)

- Adjustable technical stainless steel VX7939/100

### C. **ELECTRIC STRIKE (see accessories page 102)**

For single and double leaf doors:

Proposed electric strikes:

- fail-secure: Eff Eff 142U (possibility of connecting with the main lock)
- fail-safe: Eff Eff 342U (connection with an additional mortise spring lock)

Power supply method according to the manufacturer of electric strikes.



### D. LOCKS (see accessories page 103)

**Main lock** - cylinder insert lock.

**Panic lock.**

Proposed locks:

- in single-leaf doors, mortise lock GBS 92 72/65 with function B
- in double-leaf doors: in the active leaf, mortise lock GBS 94 72/65 with function B, in the passive leaf: lock GBS 93

Panic fittings available in handle – handle or handle – panic bar configurations.

**Additional mortise** spring lock connected with the fail-safe electric strike.

**Hotel lock.**

- The possibility of preparing leaves and frames for mounting series of electronic locks listed in AT or having the appropriate certificates.

### PROPOSED HOTEL LOCKS

TECHNICAL APPROVAL	INDIVIDUAL USE APPROVAL
Ving Card Euro	
Kaba 760	Kaba 790,770
Inhova 2UB4A	
Miwa AW2H	Hartmann Tresore HDL MF 20

### E. PROTECTIVE PANEL (see accessories page 101)

Stainless steel panels with a thickness of 0.6 mm for the doors are available.

Proposed panels:

- bottom kick panel with a height of 300 mm
- upper push panel at the height of the handle with a height of 300 mm

### F. BOTTOM SEAL

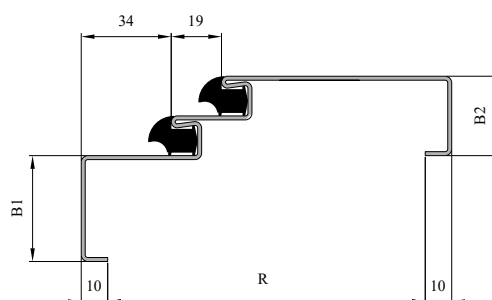
- Two automatic threshold seals

### G. DOOR FRAMES

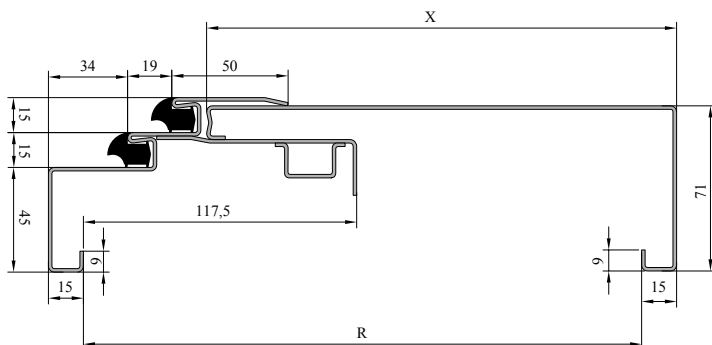
#### METAL DOOR FRAME

Made of 1.5 mm thick steel sheet. Powder coated, available in colors included in Porta's current offer or  any RAL and NCS color. Equipped with reinforcement for a door closer. Two versions: floor level "0" or "-30" [mm]. Optional accessories: anchor bolts.

R Range of wall thickness [mm] - standard 120	B1 Height of the front angle-bar [mm] - standard 40	B2 Height of the back angle-bar [mm] - standard 30
120-480	<input checked="" type="checkbox"/> 40-55	<input checked="" type="checkbox"/> 30-75



**ADJUSTABLE 42DB METAL DOOR FRAME**

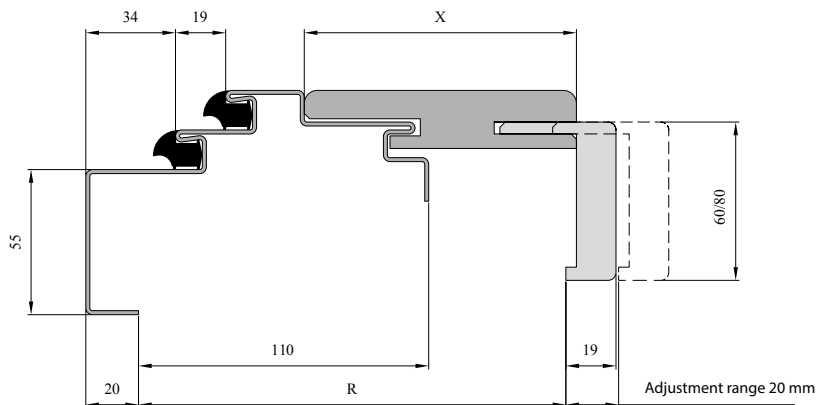


**ATTENTION!** Affixed profile (frontal) is fixed. The thickness of wall changes with "x" and it is individually adjusted according to customer's order. The project is produced according to the Individual Use Approval (IUA).

**PROJECT DOOR FRAME**

Metal door frame with the PROJECT overlay veneered in leaf color.

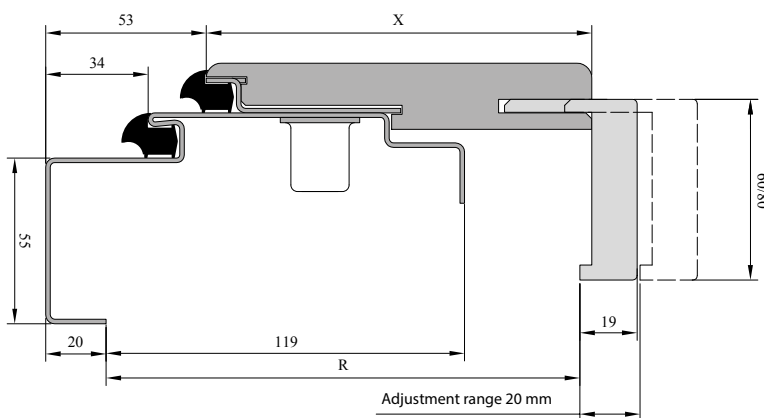
R Range of wall thickness [mm]	Type of door frame	X Overlay 42dB [mm]
162-182	B	103
182-207	C	128
202-222	D	148
227-247	E	168
247-267	F	188
267-287	G	208
287-307	H	228
307-327	I	248
327-347	J	268
347-367	K	288



**ATTENTION!** Metal profile only in standard offer.

**PROJECT PREMIUM DOOR FRAME**

R Range of wall thickness [mm]	Type of door frame	X Overlay 42dB [mm]
157-177	B	128
177-197	C	148
197-217	D	168
217-237	E	188
237-257	F	208
257-277	G	228
277-297	H	248
297-317	I	268
317-337	J	288
337-357	K	308

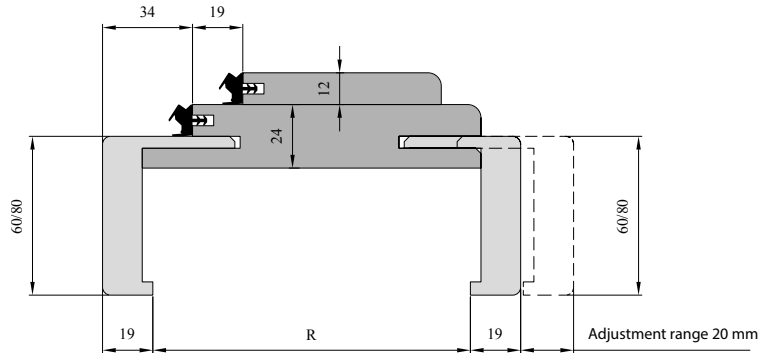


**ATTENTION!** Metal profile only in standard offer.

### REINFORCED PORTA SYSTEM DOOR FRAME

Adjustable door frame, veneered in leaf color. Plywood frame beams.

R Range of wall thickness [mm]	Type of door frame [mm]
120-140	C
140-160	D
160-180	E
180-200	F
200-220	G
220-240	H
240-260	I
260-280	J
280-300	K



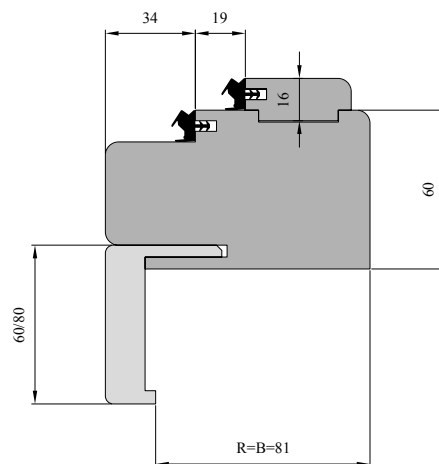
### MDF DOOR FRAME

Architraves and quarter rounds are available for the door frames. Door frames are also available in a plywood version. Presented frame dimensions do not include the thickness of the veneer.

Fixed door frame 100 mm,  
made of MDF, veneered in leaf color.

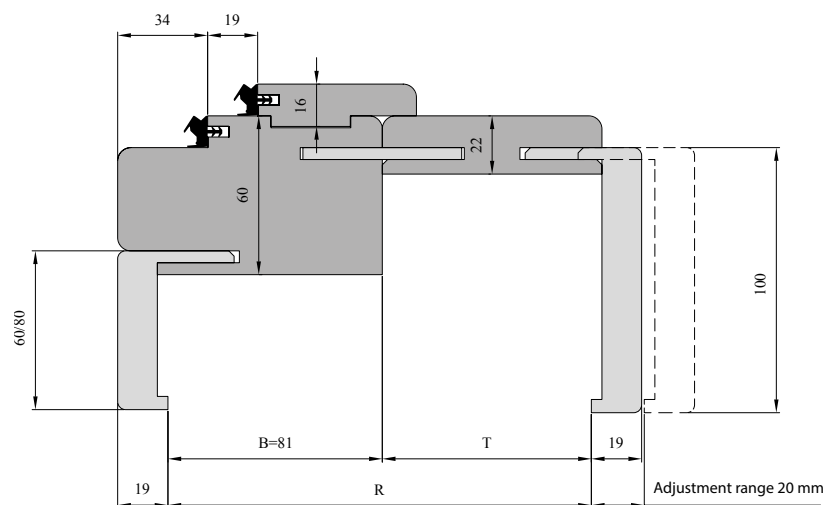
R Range of wall thickness [mm]	Type of door frame	B MDF beam [mm]
81	100	81

Available other size ranges for R beams.



### ADJUSTABLE MDF DOOR FRAME

R Range of wall thickness [mm]	Type of door frame [mm]	R = (B + T) [mm]
160-180	A	81 + (75 + 4)
180-200	B	81 + (95 + 4)
205-225	C	81 + (120 + 4)
225-245	D	81 + (140 + 4)
245-265	E	81 + (160 + 4)
265-285	F	81 + (180 + 4)
285-305	G	81 + (200 + 4)
305-325	H	81 + (220 + 4)
325-345	I	81 + (240 + 4)
345-365	J	81 + (260 + 4)
365-385	K	81 + (280 + 4)



Possibility of using other solutions and accessories than those listed above (e.g. electromagnetic lock, electromagnetic holders, semi-automatic edge bolt from page 102), after consultation with the Contract Department.

## ■ EXAMPLES OF SOLUTIONS



**AQUA with a metal door frame**

☒ Non-standard solution:  
Ventilation panel



**ENDURO with a metal door frame**

☒ Non-standard solution:  
Double-leaf



**ENDURO (swing door) with a metal door frame**

☒ Non-standard solution:  
Push panel



**AQUA with a metal door frame**

☒ Non-standard solution:  
Finishing color



**ENDURO with a metal door frame**

☒ Non-standard solution:  
Panic lock, height



**RENTGEN with a metal door frame**

☒ Non-standard solution:  
Kick panel



**ENDURO with a metal door frame**

☒ Non-standard solution:  
Finishing color, roller lock

## ■ SELECTED PROJECTS



Poland, Wrocław, Sky Tower



Poland, Kielce, Echo Gallery



Poland, Trzebnica, Water Park in Trzebnica

# SPECIALIZED DOORS



## RENTGEN

Technical Doors / p. 86



## AQUA

Technical Doors / p. 89



## ENDURO

Technical Doors / p. 92



## Universal Doors for Utility Rooms

Interior Doors / p. 96



Technical Approval AT-15-4997/2011 • Hygienic Certificate 19/322/20/2013



Mechanical class 3 according to PN-EN 1192:2001

## PURPOSE AND SCOPE OF USE

DT- O doors are designed for use in the construction industry as interior entrance doors, closures of openings in interior walls. The doors are designed especially for spaces where devices emitting X-ray radiation are located; DT-O doors can be used in the class 3 requirements according to PN-EN 1192:2001, i.e. in heavy use conditions.

**DOOR MARKING:** DT-O/M - RENTGEN single-leaf door with metal door frame,  
DT-O/PS - RENTGEN single-leaf door with adjustable Porta SYSTEM door frame.

## CONSTRUCTION

### A. FINISHING

Veneer: CPL, HPL, PVC Veneer, Natural Standard, Natural Select, Acrylic paint.  
Patterns and colors from the standard and **K** non-standard collection.

### B. COVERING

Layer of lead sheet ( 0.5 mm or 1 mm thick)  
with HDF board or chipboard  
(doors in natural veneers).

### C. FILLING

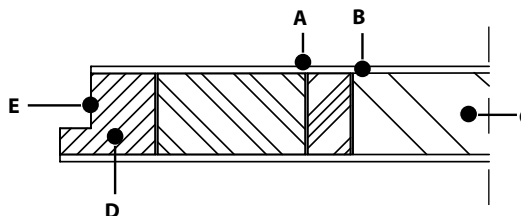
Perforated chipboard reinforced  
with internal plywood muntin.

### D. CONSTRUCTION FRAME

Construction frame made of laminated softwood.

### E. EDGE

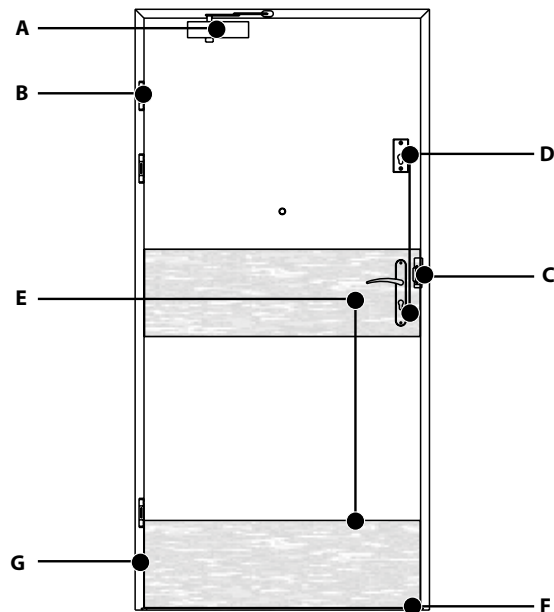
With CPL finish, both vertical edges of the door are covered with 1 mm thick ABS tape.  
In other types of finish, the edge tape or natural veneer has the same color as the door leaf.



## DIMENSIONAL RANGES WITHIN THE TECHNICAL APPROVAL

TYPE OF DOOR	LEAF WIDTH $S_s$	LEAF HEIGHT $H_s$
Rebated single-leaf solid	max 1044 mm	max 2200 mm

## ACCESSORIES AND EQUIPMENT



### A. SELF-CLOSER (see accessories page 101)

#### Surface mounted:

Arm and rail door closers fitted to the size and weight of the leaf may be used.  
The use of door closers requires strengthening the leaf and the frame.

### B. HINGES (see accessories page 100)

Reinforced three-part or stainless steel adjustable technical VX7939/100, depending on leaf's weight.

### C. ELECTRIC STRIKE (see accessories page 102)


#### For single door leaves:

- fail-secure JIS 1510
- fail-safe JIS 1511

Power supply method according to the manufacturer of electric strikes.

### D. LOCKS (see accessories page 103)

Main lock - cylinder insert lock.

 Additional upper cylinder insert lock.


### E. PROTECTIVE PANEL (see accessories page 101)

Stainless steel panels with a thickness of 0.6 mm for the doors are available.

Recommended panels:


- bottom kick panel with a height of 300 mm
- upper push panel at the height of the handle with a height of 300 mm



### F. BOTTOM SEAL

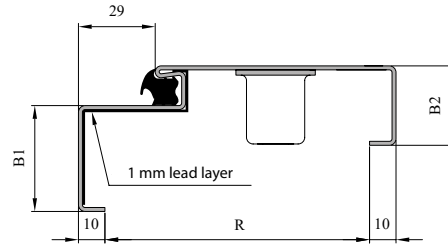
- Stainless steel threshold
-  Automatic threshold seal

**G. DOOR FRAMES**

 **ANGLE-BAR METAL DOOR FRAME**

Made of 1.2 mm or 1.5 mm thick steel. On the inside, the frame profile is covered with lead sheet with a thickness of 1 mm. Powder coated, available in colors included in Porta's current offer or  any RAL and NCS color. Two versions: floor level "0" or "-30" [mm]. Optional equipment: reinforcement for a door closer and anchor bolts.

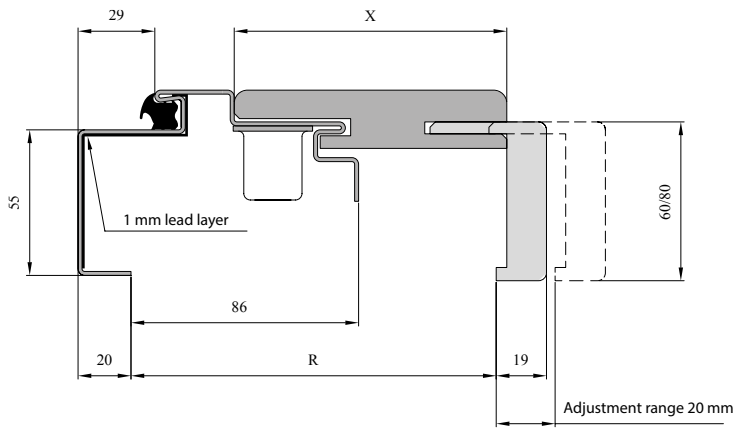
R Range of wall thickness [mm] - standard 100	B1 Height of the front angle-bar [mm] - standard 40	B2 Height of the back angle-bar [mm] - standard 30
80-480	 30-55	 30-75



 **PROJECT DOOR FRAME**

Metal door frame with the PROJECT overlay veneered in leaf color.

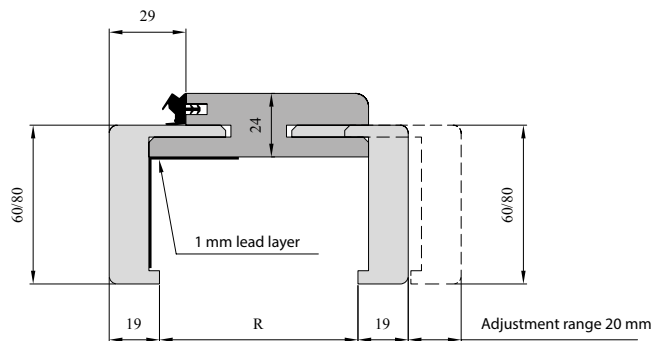
R Range of wall thickness [mm]	Type of door frame	X Overlay RENTGEN [mm]
138-158	B	103
163-183	C	128
183-203	D	148
203-223	E	168
223-243	F	188
243-263	G	208
263-283	H	228
283-303	I	248
303-323	J	268
323-343	K	288




 **REINFORCED PORTA SYSTEM DOOR FRAME**

Plywood vertical frame beams. The door frame is veneered in leaf color. On the inside, the frame profile is covered with lead sheet with a thickness of 1 mm.

Range of wall thickness R [mm]	Type of door frame
75-95	A
95-115	B
120-140	C
140-160	D
160-180	E
180-200	F
200-220	G
220-240	H
240-260	I
260-280	J
280-300	K



 Possibility of using other solutions and accessories than those listed above (e.g. electromagnetic lock, electromagnetic holders from page 101), after consultation with the Contract Department.



Technical Approval AT-15-8813/2011 • Hygienic Certificate 245/779/277/2010



class 2



class 3

Resistance to climate impact Class 2 according to PN-EN 12219:2002  
 Mechanical class 1 according to PN-EN 1192:2001

PURPOSE AND SCOPE OF USE

Interior doors type DT-W are intended for use in construction as interior doors in areas of high relative humidity. Due to the strength requirements, these doors can be used in conditions corresponding to Class 1 of requirements according to PN-EN 1192:2001, i.e. in light use conditions.

DOOR MARKING: DT-W - AQUA non-rebated single-leaf door with metal door frame

CONSTRUCTION

A. FINISHING

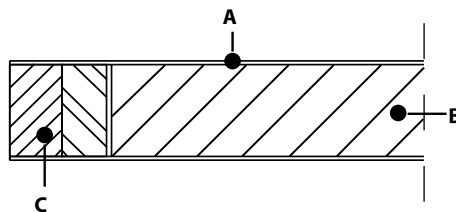
HPL veneer of 1,5 mm.  
 Patterns and colors from the standard and  non-standard collection.

B. FILLING

Polyurethane foam panel.

C. CONSTRUCTION FRAME

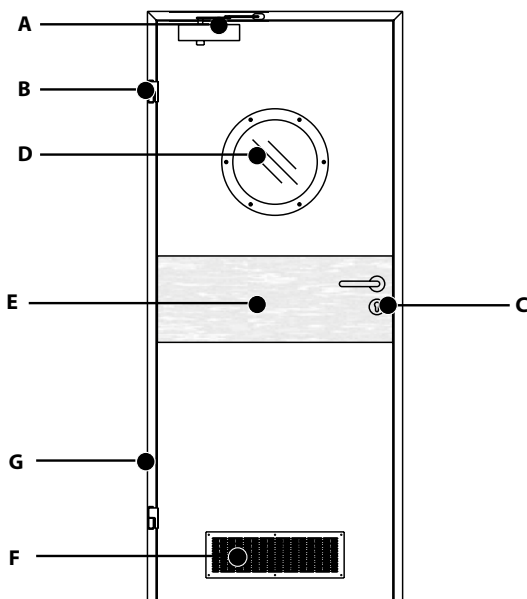
PVC construction frame.



DIMENSIONAL RANGES WITHIN THE TECHNICAL APPROVAL

TYPE OF DOOR	LEAF WIDTH $S_s$	LEAF HEIGHT $H_s$
Single leaf non-rebated	max 1018 mm	max 2017 mm

## ACCESSORIES AND EQUIPMENT



### A. SELF-CLOSER (see accessories page 101)

#### Surface mounted:

Arm and rail door closers fitted to the size and weight of the leaf may be used.

The use of door closers requires strengthening the leaf and the frame.

### B. HINGES (see accessories page 100)

Surface-mounted unrebated stainless steel hinges for metal frames.

### C. LOCK (see accessories page 103)

Main lock with a stainless steel front - cylinder insert lock.

Roll lock with a stainless steel front.

### D. GLAZING

- Glazing designs in accordance with the current Porta offer or  according to customer requirements.
- Glass types in accordance with the current Porta offer or  according to customer requirements (glass thickness 4 - 6 mm). Available glasses: tempered or  laminated.
- Stainless steel glazing frames.
- Stainless steel porthole with inner diameter of 250 mm or the "60" and "70" size and 300 mm for the other sizes.

### E. PROTECTIVE PANEL (see accessories page 101)

Stainless steel panels with a thickness of 0.6 mm for the doors are available.

Recommended panels:

- bottom kick panel with a height of 300 mm
- upper push panel at the height of the handle with a height of 300 mm

### F. VENTILATION GRILLE (see accessories page 101)

Stainless steel ventilation grilles.

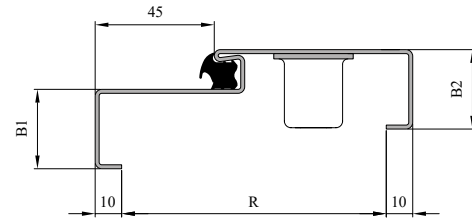
### G. FRAMES

Powder coated metal door frames, available in colors included in Porta's current offer or  any RAL and NCS color. Two versions: floor level "0" or "-30" [mm]. Optional equipment: reinforcement for a self-closer.

### ANGLE-BAR METAL DOOR FRAME

Made of 1.2 mm thick galvanized steel sheet.

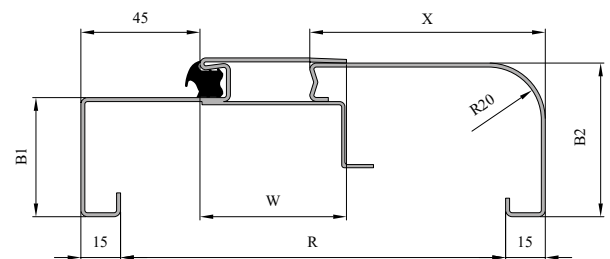
R Range of wall thickness [mm] - standard 100	B1 Height of the front angle-bar [mm] - standard 30	B2 Height of the back angle-bar [mm] - standard 30
80-480	30-55	30-75



### ADJUSTABLE METAL DOOR FRAME

Made of 1.5 mm thick galvanized steel sheet. Fold part of the door frame anchored to the masonry wall using the included wall plugs or self-tapping screws (plasterboard wall).

R Range of wall thickness [mm]	Type of door frame	X Adjustable closing profile [mm]	W Affixed front profile [mm]
100-120	A	72	40
121-145	B	89	44
146-170	C	114	54
171-195	D	139	
196-220	E	164	64
221-245	F	189	
246-270	G	214	74
271-295	H	239	
296-320	I	264	74
321-345	J	289	
346-370	K	314	
371-395	L	339	
396-420	M	364	
421-445	N	389	

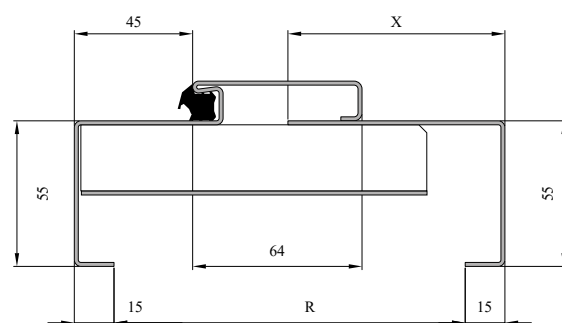


B1 Height of the front angle-bar [mm] standard 45	B2 Height of the back angle-bar [mm] standard 60
50-55	65-75

### ADJUSTABLE METAL PS DOOR FRAME

Made of 1.2 mm thick galvanized steel sheet.

R Range of wall thickness [mm]	Type of door frame	X Adjustable closing profile [mm]
95-120	A	80
121-145	B	105
146-170	C	130
171-195	D	155
196-220	E	180
221-245	F	205
246-270	G	230
271-295	H	255



Possibility of using other solutions and accessories than those listed above (e.g. electromagnetic lock, electromagnetic holders, from page 102), after consultation with the Contract Department.

Technical Approval AT-15-8813/2011 • Hygienic Certificate 19/322/20/2013



Mechanical class 3 according to PN-EN 1192:2001

class 3

## PURPOSE AND SCOPE OF USE

Interior wooden doors type DWL-Wz are intended for use in residential construction, apartment buildings and public buildings as interior entrance doors, closures of openings in interior walls. Due to the strength requirements, these doors can be used in conditions corresponding to Class 3 of requirements according to PN-EN 1192:2001, i.e. in heavy use conditions.

**DOOR MARKING:** DWL-WZ -Reinforced interior single-leaf or double-leaf door

## CONSTRUCTION


### A. FINISHING

HPL, CPL 0,7 mm Veneer. Patterns and colors from the standard and  non-standard collection.

### B. COVERING

HDF board.

### C. FILLING

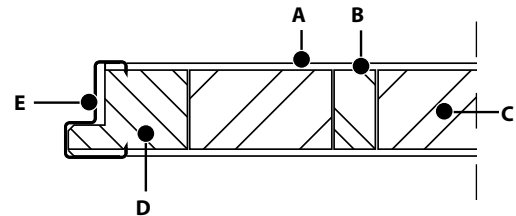
- Perforated chipboard
-  Solid chipboard reinforced with internal plywood muntin

### D. CONSTRUCTION FRAME



Construction frame made of laminated softwood.

### E. EDGE

The vertical edges of doors are covered with stainless steel bars with a thickness of 0.6 mm. The upper edge is covered with edge tape in leaf color.



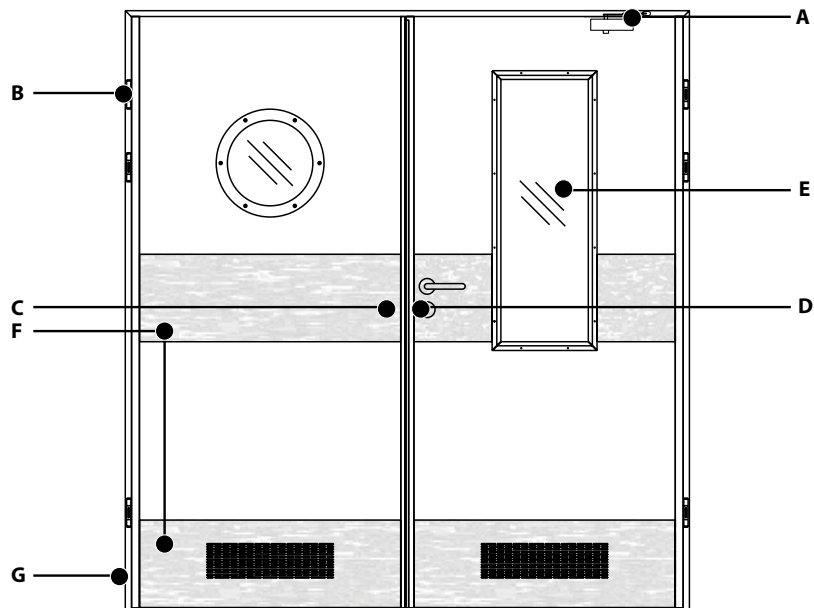
## DIMENSIONAL RANGES

TYPE OF DOOR	TECHNICAL APPROVAL (TA)		INDIVIDUAL USE APPROVAL (IUA)
	SINGLE LEAF WIDTH $S_s$	LEAF HEIGHT $H_s$	LEAF HEIGHT $H_s$
Single leaf rebated	max 1244 mm*	max 2200 mm	max 2500 mm
Single leaf non-rebated	max 1218 mm*	max 2200 mm	max 2500 mm
 Double leaf rebated	max 1244 mm**	max 2200 mm	max 2500 mm
 Double leaf unrebated	max 1218 mm**	max 2200 mm	max 2500 mm

\* Size "110" and "120" and double leaf can be made in lower mechanical class.

\*\* Total width of a set of two leaves cannot exceed, according to AT: 2079 mm for rebated doors, 2040 mm non-rebated doors. Larger sizes are available under an IUA.

## ACCESSORIES AND EQUIPMENT



### A. SELF-CLOSER (see accessories page 101)

#### Surface mounted:

Arm and rail door closers fitted to the size and weight of the leaf may be used. The use of door closers requires strengthening the frame.

### B. HINGES (see accessories page 100)

- three-part reinforced hinge
- Stainless steel swinging hinge

### C. ELECTRIC STRIKE (see accessories page 102)

A number of electric strikes suggested by the customer can be used.

Proposed electric strikes:

#### • For single door leaves:

- fail-secure JIS 1710, Eff Eff 118
- fail-safe MCM 611, Eff Eff 138

Power supply method according to the manufacturer of electric strikes.

### D. LOCK (see accessories page 103)

**Main lock** - cylinder insert lock.

**Additional upper** cylinder insert lock.

**Roll lock.**

### E. GLAZING

- Glazing designs in accordance with the current Porta offer or  according to customer requirements.
- Glass types in accordance with the current Porta offer or  according to customer requirements (glass thickness 4 - 6 mm). Available glasses: tempered or  laminated.
- Stainless steel glazing frames.
- Stainless steel porthole with inner diameter of 250 mm or the "60" and "70" size and 300 mm for the other sizes.


**F. PROTECTIVE PANEL** (see accessories page 101)

Stainless steel panels with a thickness of 0.6 mm for the doors are available.


Recommended panels:



- bottom kick panel with a height of 300 mm
- upper push panel at the height of the handle with a height of 300 mm
- bottom ventilation panel with a height of 300 mm

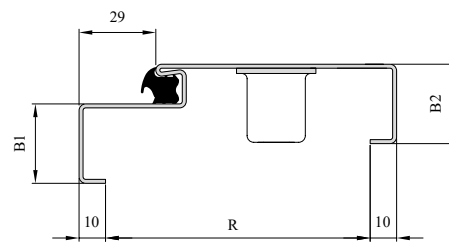
**G. FRAMES**

Powder coated metal door frames, available in colors included in Porta’s current offer or  any RAL and NCS color. Optional equipment: reinforcement for a door closer.

**ANGLE-BAR METAL DOOR FRAME**




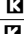
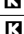


Made of 1.2 mm or  1,5 mm thick steel sheet. Two versions: floor level “0” or “-30” [mm]. Equipped with six anchor bolts.

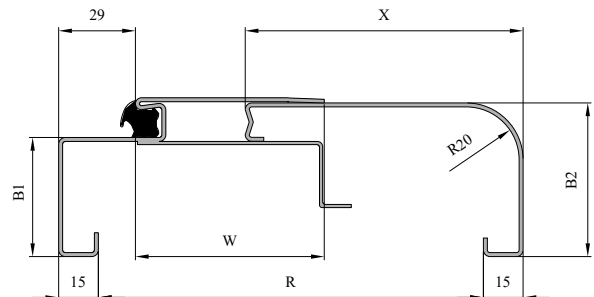
R Range of wall thickness [mm] - standard 100	B1 Height of the front angle-bar [mm] - standard 30	B2 Height of the back angle-bar [mm] - standard 30
80-480	 30-55	 30-75



 **ADJUSTABLE METAL DOOR FRAME**

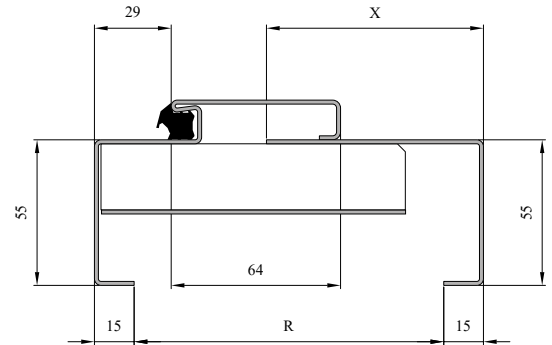
Made of 1.5 mm thick steel sheet. Fold part of the door frame anchored to the masonry wall using the included wall plugs or self-tapping screws (plasterboard wall).

R Range of wall thickness [mm]	Type of door frame	X Adjustable closing profile [mm]	W Affixed front profile [mm]
95-120	A	82	50
121-145	B	105	60
146-170	C	130	70
171-195	D	155	
196-220	E	180	
221-245	F	205	80
246-270	G	230	
271-295	H	255	90
296-320	 I	280	
321-345	 J	305	
346-370	 K	330	
371-395	 L	355	
396-420	 M	380	
421-445	 N	405	
446-470	 O	430	



**Ⓚ ADJUSTABLE PORTA SYSTEM METAL DOOR FRAME**

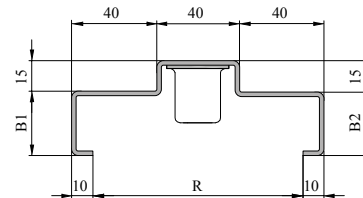
R Range of wall thickness [mm]	Type of door frame	X Adjustable closing profile [mm]
95-120	A	80
121-145	B	105
146-170	C	130
171-195	D	155
196-220	E	180
221-245	F	205
246-270	G	230
271-295	H	255



**ENDURO SWINGING WITH METAL DOOR FRAME**

Made of 1.5 mm thick steel sheet. Fold part of the door frame anchored to the masonry wall using the included wall plugs or self-tapping screws (plasterboard wall).

R Range of wall thickness [mm] - standard 100	B1 Height of the front angle-bar [mm]- standard 30	B2 Height of the back angle-bar [mm] - standard 30
80-480	Ⓚ 30-55	Ⓚ 30-75



Ⓚ Possibility of using other solutions and accessories than those listed above (e.g. electromagnetic lock, electromagnetic holders, semi-automatic edge bolt from page 101), after consultation with the Contract Department.




# Universal Doors for Utility Rooms

Technical Approval AT-15-8081/2016

## PURPOSE AND SCOPE OF USE

Universal interior PORTA system steel doors are intended for use in residential construction, apartment buildings and public buildings as interior doors, closures of openings in utility rooms and industrial areas.

## CONSTRUCTION

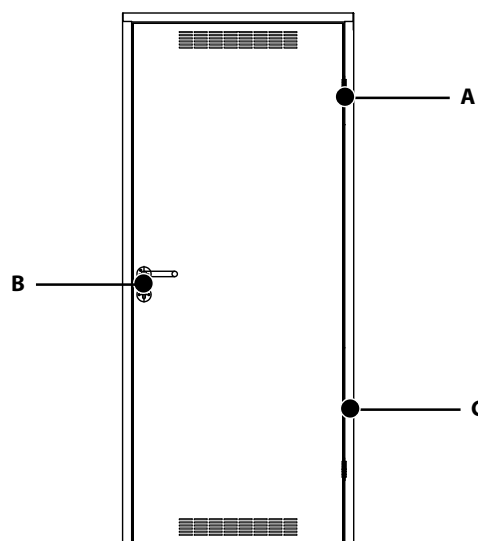
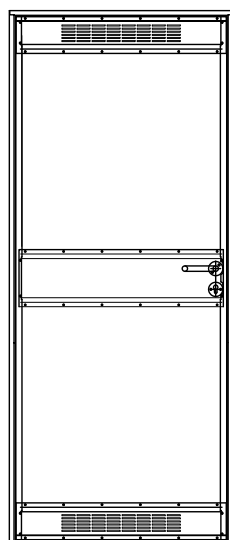
Leaf and frame are made of galvanized steel sheet, powder painted in the colors from Porta's standard offer or  any RAL or NCS color.

With a symmetrical design and universal fittings, it is possible to install the door as right or left sided.

## DIMENSIONAL RANGES WITHIN THE STANDARD PORTA OFFER

TYPE OF DOOR	LEAF WIDTH $S_s$	LEAF HEIGHT $H_s$
Single leaf solid non-rebated	715 mm	2017 mm
	815 mm	
	915 mm	

## ACCESSORIES AND EQUIPMENT



### A. HINGES

Two-part pintle hinges.

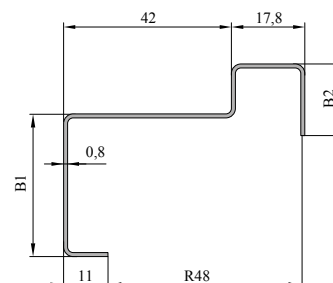
### B. LOCK

Universal cylinder insert lock (left/right).

### C. DOOR FRAME

Universal metal angle-bar door frame (left/right) made of 0.8 mm steel sheet.

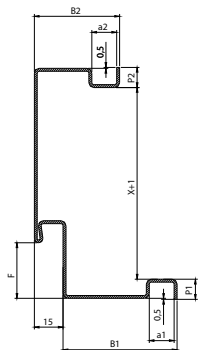
B1 Height of the front angle-bar [mm]	B2 Height of the back angle-bar [mm]
35	18



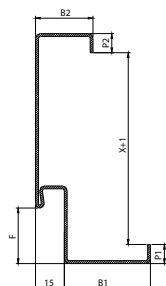


# LIST OF METAL DOOR FRAME PROFILES

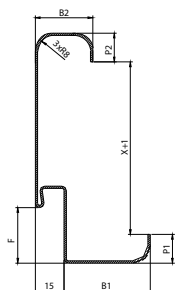
WE CAN DESIGN DOOR FRAME PROFILES OTHER THAN THOSE PRESENTED IN THE CATALOGUE.  
PROPOSED SOLUTIONS:



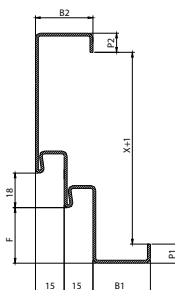
1.



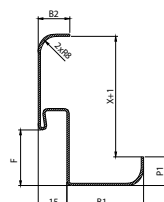
2.



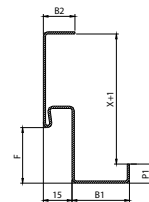
3.



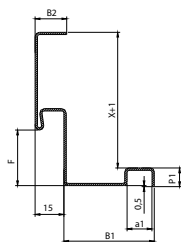
4.



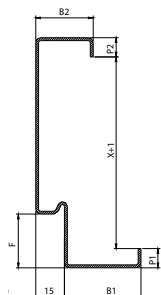
5.



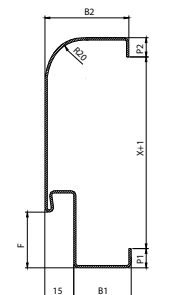
6.



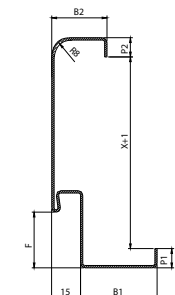
7.



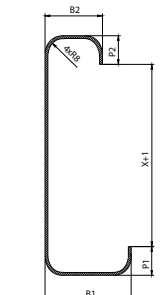
8.



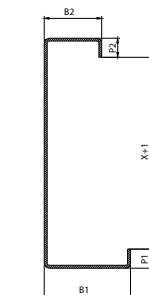
9.



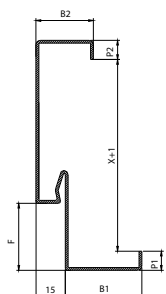
10.



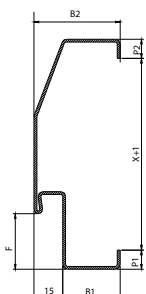
11.



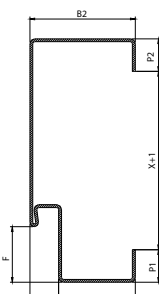
12.



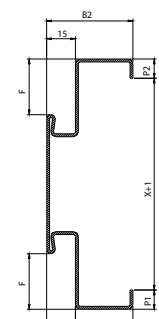
13.



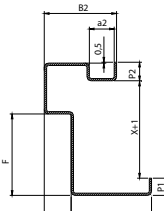
14.



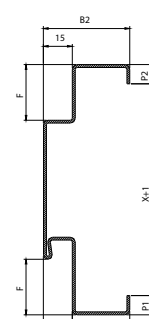
15.



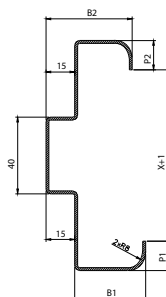
16.



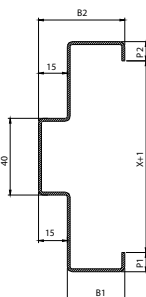
17.



18.



19.



20.

Dimensional symbols	Dimensional ranges [mm]	Tolerance [mm]
B1	30-50	± 0,5
P1	8-20	- 0,5
F	29-55	± 0,5
B2	15-65	± 0,5
P2	8-20	- 0,5
a1, a2	10-26	± 0,5

x – Total wall thickness

# SAMPLE PROJECTS USING SUPPLEMENTARY PRODUCTS

For more examples of how to use additional products see:  
<http://www.portadoors.com/realizations>



Porta SYSTEM side transom



Top wall panel



Wall panelling



Composite top panel



Top wall panel



Composite top panel

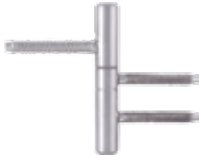
# SUPPLEMENTARY PRODUCTS FOR PORTA DOORS

IN ADDITION TO THE DOORS PRESENTED IN THE PRODUCT CATALOGUE, WE RECOMMEND A RANGE OF ADDITIONAL PRODUCTS FOR THE DOORS, PROVIDING BOTH PRACTICAL AND VISUAL SOLUTIONS.



# ACCESSORIES

## ■ HINGES FOR REBATED DOORS



PRIME hinge



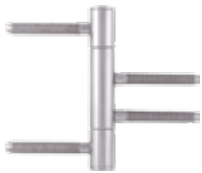
Rising hinge



Two-part hinge  
for wooden frames



Two-part hinge  
for metal frames



Three-part hinge  
for wooden frames



Three-part hinge  
for metal frames



Adjustable technical  
hinge EXACTA



Adjustable technical hinge  
VX7939/100

## ■ HINGES FOR NON-REBATED DOORS



Hidden 3D hinge  
for Porta SYSTEM ELEGANCE  
door frames



Surface hinge  
for Porta SYSTEM ELEGANCE  
door frames



Surface hinge  
for metal frames



Surface hinge  
for MDF frames



Adjustable technical  
hinge VX7729/100



Hinge for  
swinging doors

## ■ OTHER



Stainless steel threshold  
for Porta door frames

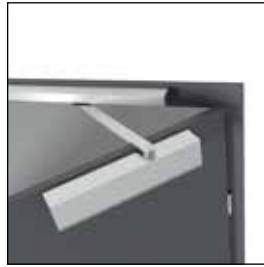


Stainless steel porthole  
Internal diameter of 250 mm for "60" and "70" door leaves,  
and 300 mm for others

## ■ SELF-CLOSERS



Surface arm door closer



Surface rail door closer



Hidden door closer

## ■ ELECTROMAGNETIC HOLDER



Wall element



Set in unlocked position



Set in locked position

## ■ VENTILATION GRILLES AND PROTECTIVE PANELS



Powder-coated ventilation grille  
(made by Lorient)



Stainless steel grille  
(made by Porta)



Kick panel



Push panel



Ventilation panel

## ■ ELECTROMAGNETIC LOCKS



Electromagnetic locks

## ■ SEMI-AUTOMATIC EDGE-BOLT



Unlocked set



Locked set

## ■ PANIC LOCKS



Single-leaf set  
(version with handle)



Single-leaf set  
(version with panic bar)

Panic function B - the interior handle with classical panic function opens the lock regardless of its closure state; the exterior handle is connected (unbolted lock) or disconnected (bolted lock) mechanically depending on the needs. The cooperation of two handles is provided by a divided spindle. Application: in emergency exit doors in public buildings.

## ■ ELECTRIC STRIKE

### FOR SINGLE-LEAF DOORS



Electric strike for use with  
the main lock  
Porta SYSTEM door frame



Electric strike for use with  
the main lock MDF,  
wooden door frame



Electric strike for use with  
the main lock  
Metal door frame

### FOR DOUBLE-LEAF DOORS



Electric strike for use with  
the additional mortise spring lock



Electric strike for use with  
the main lock type 1



Electric strike for use with  
the main lock type 2

■ LOCKS



Main lock



Roll lock



Top lock - cylinder insert lock



Mortise spring lock



Hook lock - cylinder insert lock



Hook lock with a bathroom lock



Hotel lock example 1



Hotel lock example 2



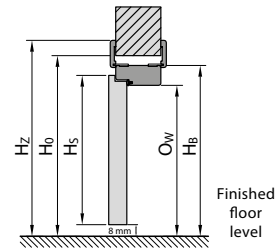
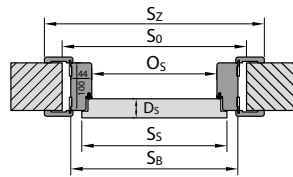
Multipoint mortise lock



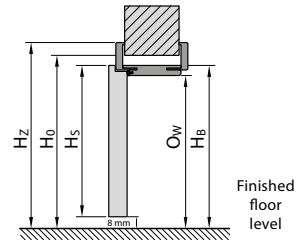
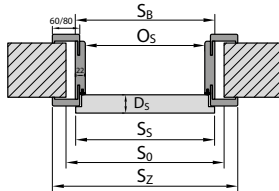
Four-point mortise lock

# INSTALLATION DIMENSIONS OF DOORS

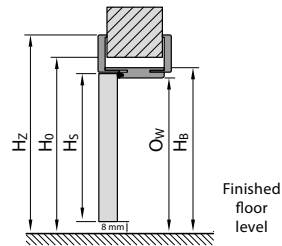
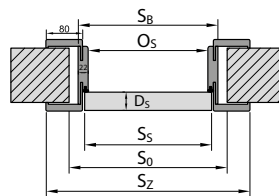
## MINIMAX DOOR FRAME



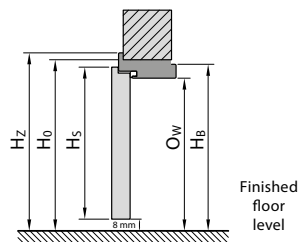
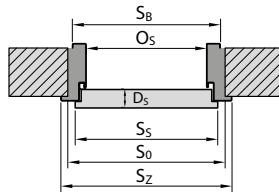
## Porta SYSTEM DOOR FRAME



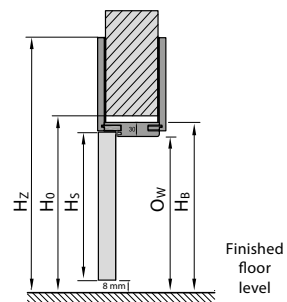
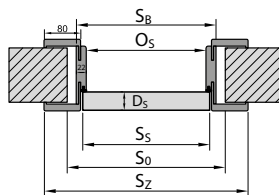
## Porta SYSTEM ELEGANCE DOOR FRAME



## METAL DOOR FRAME



## LEVEL DOOR FRAME



## LEGEND OF DIMENSIONS

- $S_s$  Total leaf width (including rebates)
- $H_s$  Total leaf height (including rebate)
- $D_s$  Thickness of door leaf
- $S_o$  Width of wall opening prepared for door frame installation
- $H_o$  Height of wall opening prepared for door frame installation, measured from the finished floor level
- $O_s$  Clear opening width
- $O_w$  Clear opening height (for doors with a threshold, dimension reduced by the threshold height)
- $S_b$  Width of the door frame, without door trims
- $H_b$  Height of the door frame, without door trims
- $S_z$  Total width of the door frame, with door trims (6)/(8), 60/80 mm casing
- $H_z$  Total height of the door frame, with door trims
- $T_{sw}$  Permissible deviation from width/height of wall opening



# TABLES OF STANDARD DIMENSIONS OF DOORS

## INTERIOR DOORS WITH WOODEN FRAMES

TABLE 1

TYPE OF DOOR FRAME	SIZE	S <sub>s</sub>	H <sub>s</sub>	D <sub>s</sub>	S <sub>o</sub>	H <sub>o</sub>	O <sub>s</sub>	O <sub>w</sub>	S <sub>b</sub>	H <sub>b</sub>	S <sub>z</sub> (6)	S <sub>z</sub> (8)	H <sub>z</sub>	T <sub>SW</sub>
with door frames: Minimax 60 mm Minimax 100 mm MDF in natural veneer	60	644	2030	40	710	2075	602	2016	690	2060	800	-	2115	+20 / +10
	70	744			810		702		790		900	-		
	80	844			910		802		890		1000	-		
	90	944			1010		902		990		1100	-		
	100	1044			1110		1002		1090		1200	-		
with the Porta SYSTEM door frame	60	644	2030	40	680	2060	602	2016	646	2038	746	786	Wall angle (6) / (8) 2088 / 2108	+20 / +10
	70	744			780		702		746		846	886		
	80	844			880		802		846		946	986		
	90	944			980		902		946		1046	1086		
	100	1044			1080		1002		1046		1146	1186		
	110	1144			1180		1102		1146		1246	1286		
with the Porta SYSTEM ELEGANCE door frame	60	618	2017	40	680	2060	602	2016	646	2038	-	786	2108	+20 / +10
	70	718			780		702		746		-	886		
	80	818			880		802		846		-	986		
	90	918			980		902		946		-	1086		
	100	1018			1080		1002		1046		-	1186		
with the LEVEL door frame	60	618	2017	40	680	2070	602	2016	646	2046	-	786	Top panel (20) / (100) 2228/3028	+20 / +10
	70	718			780		702		746		-	886		
	80	818			880		802		846		-	986		
	90	918			980		902		946		-	1086		
	100	1018			1080		1002		1046		-	1186		

**ATTENTION!** Dimensions S<sub>z</sub> and H<sub>z</sub> for natural veneer door frames are specified with a tolerance of - 1 mm / + 3 mm

## INTERIOR DOORS WITH METAL FRAMES

TABLE 2

TYPE OF DOOR FRAME	SIZE	S <sub>s</sub>	H <sub>s</sub>	D <sub>s</sub>	S <sub>o</sub>	H <sub>o</sub>	O <sub>s</sub>	O <sub>w</sub>	S <sub>b</sub>	H <sub>b</sub>	S <sub>z</sub>	H <sub>z</sub>	T <sub>SW</sub>
with the ANGLE SMALL door frame	60	644	2030	40	650	2043	596	2016	629	2033	686	2061	±10 / ±5
	70	744			750		696		729		786		
	80	844			850		796		829		886		
	90	944			950		896		929		986		
	100	1044			1050		996		1029		1086		
with door frames: LARGE ANGLE-BAR for masonry walls and stainless steel and LARGE FOLDING ANGLE-BAR door frame	60	644	2030	40	675	2055	596	2016	656	2046	686	2061	±10 / ±5
	70	744			775		696		756		786		
	80	844			875		796		856		886		
	90	944			975		896		956		986		
	100	1044			1075		996		1056		1086		
	110	1144			1175		1096		1156		1186		
with LARGE FOLDING ANGLE-BAR door frame in PVC Veneer	60	644	2030	40	675	2055	596	2016	656	2046	706	2071	±10 / ±5
	70	744			775		696		756		806		
	80	844			875		796		856		906		
	90	944			975		896		956		1006		
	100	1044			1075		996		1056		1106		
	110	1144			1175		1096		1156		1206		
with LARGE ANGLE-BAR door frame for plasterboard walls	60	644	2030	40	680	2055	596	2016	656	2046	686	2061	+10 / +5
	70	744			780		696		756		786		
	80	844			880		796		856		886		
	90	944			980		896		956		986		
	100	1044			1080		996		1056		1086		
	110	1144			1180		1096		1156		1186		
with ADJUSTABLE door frame	60	644	2030	40	700	2070	596	2016	680	2058	716	2076	-10 / -5
	70	744			800		696		780		816		
	80	844			900		796		880		916		
	90	944			1000		896		980		1016		
	100	1044			1100		996		1080		1116		
	110	1144			1200		1096		1180		1216		
with ADJUSTABLE PS "Sharp Edges" door frame	60	644	2030	40	700	2070	596	2016	679	2058	736	2086	-10 / -5
	70	744			800		696		779		836		
	80	844			900		796		879		936		
	90	644			1000		896		979		1036		
	100	1044			1100		996		1079		1136		

**NOTES:**

- Size tolerance in accordance with the Polish Standard (PN): up to 1 m: ± 1 mm, above 1 m: ± 2 mm.
- To work out the size S<sub>o</sub> of double-leaf doors:
  - rebated doors: the S<sub>s</sub> size of a single leaf (rebated) given in Table 1 must be added to the S<sub>s</sub> size of the second leaf (rebated) or side panel (rebated) – this applies to sets with Porta SYSTEM door frames for rebated leaves: to S<sub>o</sub> size given in Table 1 for a single-leaf (rebated), add size S<sub>s</sub> of the other door leaf (rebated) or of the side panel (rebated), and then reduce the sum by 10 mm – concerns the option with the other door frames.
  - non-rebated: to the S<sub>s</sub> size given in Table 1 (single non-rebated door leaf) must be added S<sub>s</sub> size of the other leaf (non-rebated) or of a side pane (non-rebated), increased by 16 mm.
- Side panels for rebated doors available in natural veneers are offered in size "40", where S<sub>s</sub>=444, H<sub>s</sub>=2030.
- Door frames are designed for installation on completed floors. Metal frames may be ordered 30 mm longer, to mount their ends in concrete. Then, the H<sub>b</sub> and H<sub>z</sub> must be increased by 30 mm (level "-30").

# TABLES OF STANDARD DIMENSIONS OF DOORS

## INTERIOR ENTRANCE AND TECHNICAL DOORS

TABLE 3

TYPE OF DOOR FRAME	SIZE	S <sub>s</sub>	H <sub>s</sub>	D <sub>s</sub>	S <sub>o</sub>	H <sub>o</sub>	O <sub>s</sub>	O <sub>w</sub>	S <sub>b</sub>	H <sub>b</sub>	S <sub>z</sub> (6)	S <sub>z</sub> (8)	H <sub>z</sub>	T <sub>s/w</sub>
AGATE, OPAL, QUARTZ, GRANITE *	80	844	2030	40 / 44	875	2055	796	2016**	856	2046	906	-	2071	±10 / ±5
	90	952		44 / 48	985		904		964		1014	-		
	100	1044		45 / 47	1075		996		1056		1106	-		
GRANITE PS	80	868	2030	45 / 47	915	2060	826	2000	904	2042	1010	-	2108	+20 / +10
	90	968			1015		926		1004		1110	-		
	100	1068			1115		1026		1104		1210	-		
Rw = 27 dB with Porta SYSTEM door frame	60	644	2030	40 / 44	680	2060	602	2016	646	2038	746	786	architrave (6) / (8) 2088 / 2108	+20 / +10
	70	744			780		702		746		846	886		
	80	844			880		802		846		946	986		
	90	944			980		902		946		1046	1086		
	100	1044			1080		1002		1046		1146	1186		
Rw = 32 dB with reinforced Porta SYSTEM door frame	60	644	2030	44 / 48	680	2060	602	2016	646	2038	746	786	architrave (6) / (8) 2088 / 2108	+20 / +10
	70	744			780		702		746		850	886		
	80	844			880		802		846		954	986		
	90	952			988		910		954		1050	1094		
	100	1044			1080		1002		1046		1146	1186		
Porta SILENCE Rw=37 dB adjustable, rebated	80	844	2030	49	880	2060	802	2016	850	2040	946	986	2088/2108	+20 / +10
	90	952			988		910		958		1054	1094		
	100	1044			1080		1002		1050		1146	1186		
Porta SILENCE Rw=37 dB adjustable, non-rebated	80	818	2017	49	880	2060	801	2016	849	2040	-	985	- / 2108	+20 / +10
	90	968			1030		951		999		-	1135		
	100	1018			1080		1001		1049		-	1185		
Porta SILENCE Rw=37 dB rebated fixed	80	844	2030	49	950	2090	802	2017	922	2077	1024	1064	2128/2148	+10 / +5
	90	952			1060		910		1030		1132	1172		
	100	1044			1150		1002		1122		1224	1264		
Porta SILENCE Rw=37 dB non-rebated fixed	80	818	2017	49	875	2090	801	2017	921	2077	-	1063	- / 2148	+10 / +5
	90	968			985		951		1071		-	1213		
	100	1018			1075		1001		1121		-	1263		
Porta SILENCE Rw=37dB rebated with metal door frame	80	844	2030	49	875	2055	796	2013	856	2043	906	-	2068	+10 / +5
	90	952			985		904		964		1014	-		
	100	1044			1075		996		1056		1106	-		
Porta SILENCE Rw=37dB non-rebated with metal door frame	80	818	2017	49	875	2055	795	2013	855	2043	905	-	2068	+10 / +5
	90	968			1025		945		1005		1055	-		
	100	1018			1075		995		1055		1105	-		
Rw = 42 dB with reinforced Porta SYSTEM door frame	80	868	2047	69	915	2080	802	2020	872	2056	968	1008	architrave (6) / (8) 2104 / 2124	+20 / +10
	90	968			1015		902		972		1068	1108		
	100	1068			1115		1002		1072		1168	1208		
Rw = 42 dB with MDF door frame	80	868	2047	69	975	2105	802	2021	946	2093	1048	1088	architrave (6) / (8) 2144 / 2164	+10 / +5
	90	968			1075		902		1046		1148	1188		
	100	1068			1175		1002		1146		1248	1288		
Rw = 42 dB with metal door frame*	80	888	2047	69	890	2055	810	2015	870	2045	950	-	2085	±10 / ±5
	90	988			990		910		970		1050	-		
	100	1088			1090		1010		1070		1150	-		
EI 30 with MDF door frame	60	644	2030	44 / 48	750	2090	602	2014	722	2077	824	864	architrave (6) / (8) 2128 / 2148	+10 / +5
	70	744			850		702		822		924	964		
	80	844			950		802		922		1024	1064		
	90	952			1060		910		1030		1132	1172		
	100	1044			1150		1002		1122		1224	1264		
EI 30, Rw = 27 dB, Rw = 32 dB with metal door frame*	60	644	2030	44 / 48	675	2055	596	2013	656	2043	706	-	2068	±10 / ±5
	70	744		40 / 44	775		696		756		806	-		
	80	844		40 / 48	875		796		856		906	-		
	90	952		985	904		964		1014		-			
	100	1044		1075	996		1056		1106		-			
EI 60 with metal door frame	60	668	2030	61 / 65	775	2090	627	2017	747	2077	858	-	2133	±10 / ±5
	70	768			875		727		847		958	-		
	80	868			975		827		947		1058	-		
	90	968			1075		927		1047		1158	-		
	100	1044			1150		1002		1122		1224	1264		
EI 60 with metal door frame*	60	668	2030	61 / 65	700	2055	622	2013	682	2043	732	-	2068	±10 / ±5
	70	768			800		722		782		832	-		
	80	868			900		822		882		932	-		
	90	968			1000		922		982		1032	-		
	100	1044			1100		1002		1122		1224	1264		
Metal EI 30	60	700	2040	53	695	2065	640	2037	673	2053	730	-	2080	±10 / ±5
	70	800			795		740		773		830	-		
	80	900			895		840		873		930	-		
	90	1000			995		940		973		1030	-		
	100	1080			1075		1020		1053		1110	-		
Metal EI 60	80	916	2060	67	930	2075	841	2029	911	2074	977	-	2097	±10/±5
	90	1016			1030		941		1011		1077	-		
	100	1116			1130		1041		1111		1177	-		
ENDURO	60	644	2030	40	675	2055	596	2016	656	2046	722	-	2061	±10 / ±5
	70	744			775		696		756		816	-		
	80	844			875		796		856		916	-		
	90	952			985		904		964		1024	-		
	100	1044			1075		996		1056		1116	-		
ENDURO with door frame for swing-doors	60	618	2017	40	745	2085	632	2030	722	2075	822	-	2075	±10 / ±5
	70	718			845		732		822		922	-		
	80	818			945		832		922		1022	-		
	90	918			1045		932		1022		1122	-		
	100	1018			1145		1032		1122		1222	-		
AQUA	60	618	2017	40	675	2055	596	2016	656	2046	722	-	2061	±10 / ±5
	70	718			775		696		756		816	-		
	80	818			875		796		856		916	-		
	90	926			983		904		964		1024	-		
	100	1018			1075		996		1056		1116	-		
Universal doors for utility rooms	70	715	2017	40***	760	2050	700	2018	739	2038	796	-	2066	±10 / ±5
	80	815			860		800		839		896	-		
	90	915			960		900		939		996	-		
Metal Basic with SMALL angle-bar door frame	80	852	2030	40	860	2045	804	2016	837	2033	894	-	2061	±10/±5
	90	952			960		904		937		994	-		
	100	1052			1060		1004		1037		1094	-		

\* If using a PROJECT door frame, the wall opening must be larger S<sub>o</sub> by 25 mm and the height H<sub>o</sub> by 15 mm (results tolerance ±10 mm / ±5 mm).

\*\* Using the Metal profile will decrease the given size by 16 mm.

\*\*\* Leaf thickness measured on the vertical edges (leaf without filling, opened from the closing side).

# SELECT COLOUR AND TYPE OF VENEER

## ■ CLASSIFICATION OF PORTA VENEERS

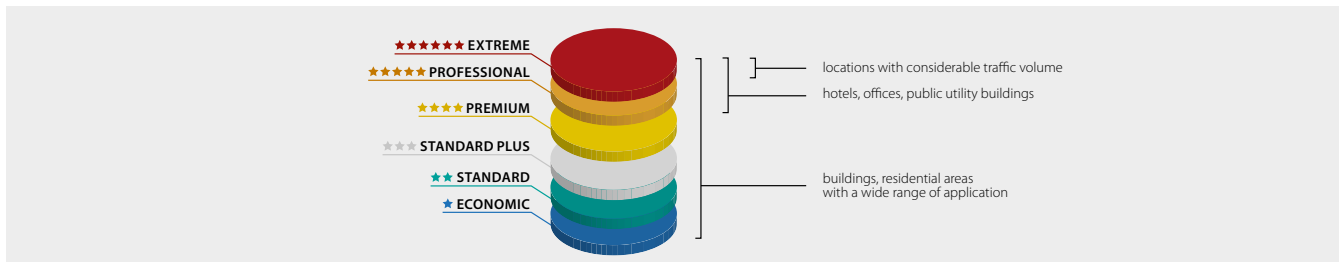
It is essential to select a proper door finishing according to conditions of use. The Porta classification includes six groups of veneers. It has been divided according to the quality of finish which specifies its durability and resistance to external elements.

For more details about the research carried out in the Wood Technology Institute, check:

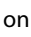
[www.porta.com.pl/kartyoklein](http://www.porta.com.pl/kartyoklein).

<p style="text-align: right;">★☆☆☆☆</p> <p><b>ECONOMIC</b></p> <p>The ECONOMIC class is an ideal combination of quality and price.</p>	<p style="text-align: right;">★★☆☆☆☆</p> <p><b>STANDARD</b></p> <p>The STANDARD Porta class guarantees operational longevity in residential buildings.</p> <p>Portadecor, Minimax</p>	<p style="text-align: right;">★★★☆☆☆</p> <p><b>STANDARD PLUS</b></p> <p>An improved STANDARD class with higher parameters of resistance to abrasion and humidity levels.</p> <p>Portadecor, Portasynchro 3D, Portacortex, Super Matt, Standard Varnish</p>
<p style="text-align: right;">★★★★☆☆</p> <p><b>PREMIUM</b></p> <p>This class perfectly combines aesthetics with the guarantee of high functional quality – designed for use in residential buildings and offices.</p> <p>Portadur, UV Acrylic Paint, Premium Veneer, Premium Varnish, Natural Standard, Natural Satin, Natural Select, Exterior Acrylic Paint, PVC, Exterior Water Varnish</p>	<p style="text-align: right;">★★★★★☆☆</p> <p><b>PROFESSIONAL</b></p> <p>This class blends unvarying functionality with elegance in locations where doors are exposed to extended periods of exposure to external factors. The PROFESSIONAL class is designated for use in hotels, public utility buildings and in offices.</p> <p>CPL HQ, Polyester Paint, Portaperfect 3D, PVC Steel Laminated Steel Sheet</p>	<p style="text-align: right;">★★★★★★☆</p> <p><b>EXTREME</b></p> <p>The parameters of the EXTREME class provide protection for highly-intensive door use. This class is designed for locations with considerable traffic volume, counted in thousands of people passing everyday.</p> <p>Gladstone, CPL 0,7, HPL, Stainless Acid-resistance Steel</p>

## ■ THE USE OF DIFFERENT TYPES OF VENEERS SUGGESTED BY PORTA



## ■ NON-STANDARD FINISHING

The customer can choose from a wide range of synthetic and natural finishing and paint coatings, with patterns and colors included in the standard (color samples available on [www.portadoors.com](http://www.portadoors.com)) and  non-standard offer.

### NON-STANDARD SYNTHETIC FINISHING

Doors can have finishing from each of the above groups. Especially recommended for the investment market is finishing in the Extreme group - also available for door frames. The variety of veneer patterns and colors available in the market from many manufacturers allows us to make doors in virtually every color indicated by the designer.

### NON-STANDARD NATURAL FINISHING

- The use of natural veneers makes it possible to achieve exceptional visual effects by combining veneers with different patterns on the same surface. At the customer's request, we can create simple combinations of two types of veneers or complex multicolored inlays.
- The offer of non-standard natural finishing includes staining veneers, the use of an unusual type of veneer and veneer joining.
- Veneer color has a significant impact in the final effect. Staining of veneers allows for precisely matching the veneer color to the customer's expectations.
- Another method of adapting the look of the door to the desired effect is the use of an unusual type of veneer. This way, it is possible to adapt the look of the door to the interior decor.

### NON-STANDARD PAINT FINISHING

Both wooden and metal doors can be painted in any color from the RAL and NCS palette.

## PORTA KMI POLAND Sp. z o.o. Sp.K.

Szkolna str. 54, 84-239 Bolszewo, Poland  
phone: +48 / 58 677 81 00, fax: +48 / 58 677 81 99  
e-mail: info@porta.com.pl

## S.C. PORTA KMI România S.R.L.

Zona Industrială Arad Nord – Vest, Strada III, Nr. 11, 310491 Arad  
phone: + 40 / 257 227 400, + 40 / 257 227 454, fax: + 40 / 257 227 401  
www.porta.com.ro, e-mail: info\_doors@porta.com.pl

### PORTA distribution network:

AUSTRALIA  
AUSTRIA  
BELARUS  
BULGARIA  
CROATIA  
CZECH REPUBLIC  
ESTONIA  
FRANCE  
GERMANY  
GREAT BRITAIN  
GREECE  
HUNGARY  
ISRAEL  
ITALY  
LATVIA  
LIECHTENSTEIN  
LITHUANIA  
MACEDONIA  
MALTA  
NIGERIA  
NORWAY  
OMAN  
ROMANIA  
RUSSIA  
SERBIA  
SLOVAK REPUBLIC  
SLOVENIA  
SPAIN  
SWEDEN  
SWITZERLAND  
TAJIKISTAN  
TURKEY  
UKRAINE



- PORTA's factories
- PORTA dealers network



www.portadoors.com | info@porta.com.pl

Stamp:

